

4. SPECIFICATIONS

| | | |
|--------------------|---|-----------------------------|
| Model | AT-4012B-EB | AT-4030B-EB |
| Input Capacity | 12 W | 30 W |
| Attenuations | 8 Steps (0 dB, -3dB, -6dB, -9dB, -12dB, -15dB, -18dB, OFF) | |
| Override Indicator | Red LED (4-wire connection only) | |
| Overriding Voltage | 24V DC, 11mA (4-wire connection only) | |
| Dimensions | 86 (w) x 86 (h) x 52 (d) mm | 86 (w) x 86 (h) x 79 (d) mm |
| Weight | 0.12 kg | 0.45 kg |
| Color | White (RAL 9016 or equivalent) | |
| Finish | Knob, Cover Panel : ABS Resin, White (RAL 9016 or equivalent) | |
| | Front Panel (Plate) : Surface treated steel plate | |
| Terminal | Screw type x 5 (Terminals) | |
| Usable Cable | Cable range 22 - 14 AWG | |

| | | | |
|--------------------|---|-------------|-------------|
| Model | AT-4060B-EB | AT-4120B-EB | AT-4200B-EB |
| Input Capacity | 60 W | 120 W | 200 W |
| Attenuations | 8 Steps (0 dB, -3dB, -6dB, -9dB, -12dB, -15dB, -18dB, OFF) | | |
| Override Indicator | Red LED (4-wire connection only) | | |
| Overriding Voltage | 24V DC, 11mA (4-wire connection only) | | |
| Dimensions | 86 (w) x 86 (h) x 79 (d) mm | | |
| Weight | 0.46 kg | 0.48 kg | 0.49 kg |
| Color | White (RAL 9016 or equivalent) | | |
| Finish | Knob, Cover Panel : ABS Resin, White (RAL 9016 or equivalent) | | |
| | Front Panel (Plate) : Surface treated steel plate | | |
| Terminal | Screw type x 5 (Terminals) | | |
| Usable Cable | Cable range 22 - 14 AWG | | |

Note:

- The design and specifications are subject to change without notice for improvement.

Accessories

- Back Box 85.5 (w) x 85.5 (h) x 60 (d) mm 1
- Plate mounting screw 2

Traceability Information for Europe

Manufacturer:
TOA Corporation
7-2-1, Minatojima-Nakamachi, Chuo-ku, Kobe, Hyogo,
Japan

Authorized representative:
TOA Electronics Europe GmbH
Suederstrasse 282, 20537 Hamburg,
Germany



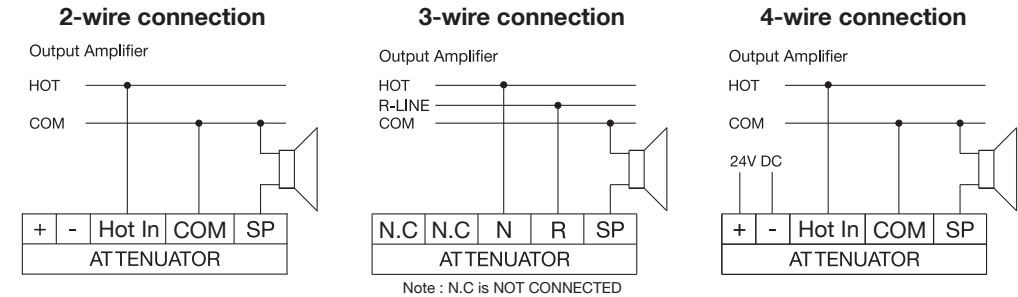
ATTENUATOR

INSTALLATION MANUAL

AT-4012B-EB
AT-4030B-EB
AT-4060B-EB
AT-4120B-EB
AT-4200B-EB

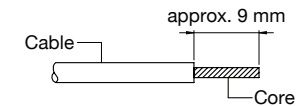
Please follow the instructions manual to obtain the optimum results from this unit.
We also recommend that you keep this manual handy for future reference.

1. WIRING DIAGRAMS



2. CONNECTIONS

- Strip the shield of the cable approx. 9mm.
- After loosening the screws at terminal block, insert the core of the cables fully into the specified terminal block. Tighten the screws and make sure the cables are not loose.



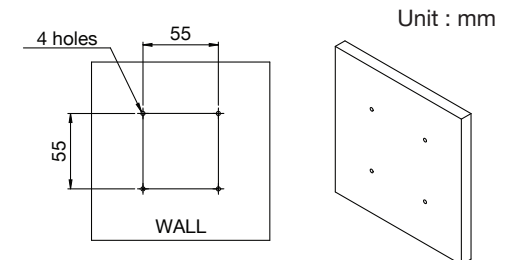
Applicable cable :
Range : 22 - 14 AWG
Solid copper wire : ϕ 0.6mm - ϕ 1.6mm
Stranded copper wire : ϕ 0.8mm - ϕ 2mm

3. INSTALLATIONS

This product can be installed by Surface Mounting or Flush Mounting. We recommend following step by step to install this product. For better installation, please consult a contractor, dealer, or professional installer.

3.1. SURFACE MOUNTING

- To prepare for installation, mark the 4 holes on the wall with the back box as shown in the picture.



Step 1. Install the back box with suitable screws on the surface of the wall.

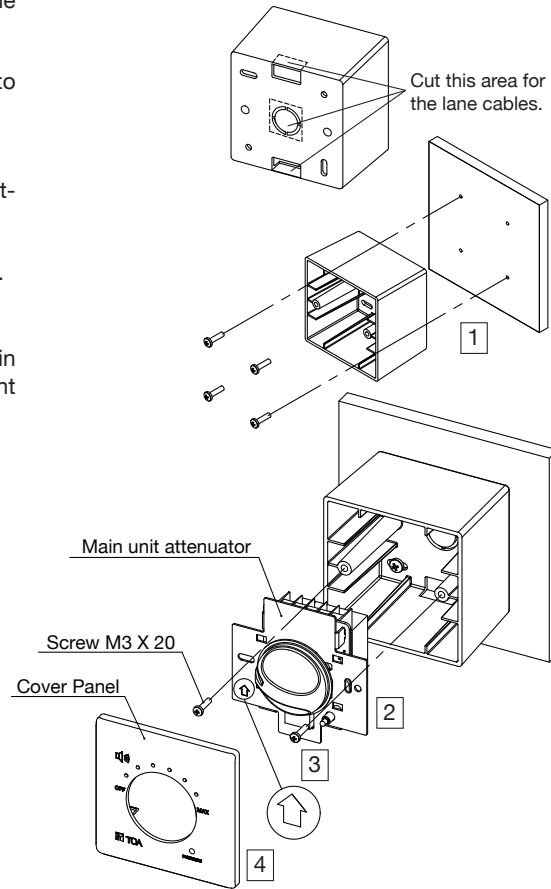
Step 2. Connect the recommended cable to the terminal.

WARNING :

Do not supply 24V DC when connecting 4-wire attenuator system.

Step 3. Install the main unit to the back box.

Step 4. Attach the cover panel to the main unit attenuator until the hook mount clips perfectly.

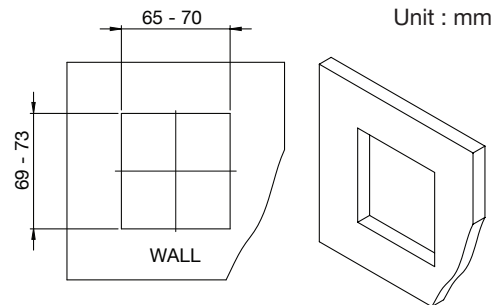


3.2. FLUSH MOUNTING

Flush mounting installation can be implemented in 2 ways, with back box or without back box.

3.2.1 FLUSH MOUNTING WITH BACK BOX

● To prepare for installation, mark the opening on the wall with rectangular pattern as shown in the picture.



Step 1. Install the back box inside the wall.

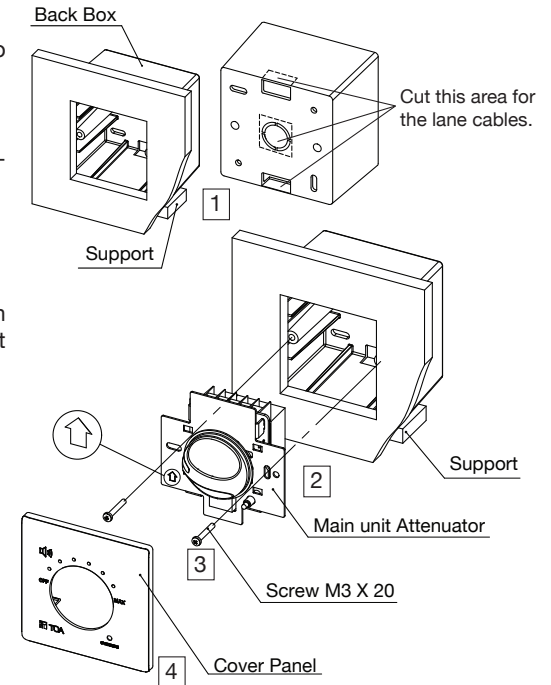
Step 2. Connect the recommended cable to the terminal.

WARNING :

Do not supply 24V DC when connecting 4-wire attenuator system.

Step 3. Install the main unit to the back box.

Step 4. Attach the cover panel to the main unit attenuator until the hook mount clips perfectly.



3.2.2 FLUSH MOUNTING WITHOUT BACK BOX

● To prepare for installation, mark the opening on the wall as shown in the picture. This mounting method can be used for all models.

Step 1. Make opening on the wall.

Step 2. Connect the recommended cable to the terminal.

WARNING :

Do not supply 24V DC when connecting 4-wire attenuator system.

Step 3. Install the main unit directly to the wall using screws that are suitable for the kind of wall.

Step 4. Attach the cover panel to the main unit attenuator until the hook mount clips perfectly.

