

CA-115

MOBILE AMPLIFIER

The CA-115 is a 1-DIN size unit 15 W car amplifier designed for use with a 12 V battery car.



Article number:CA-115 EU

Specifications

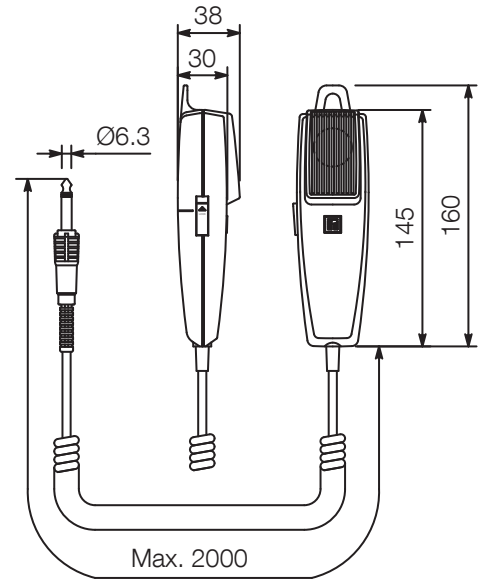
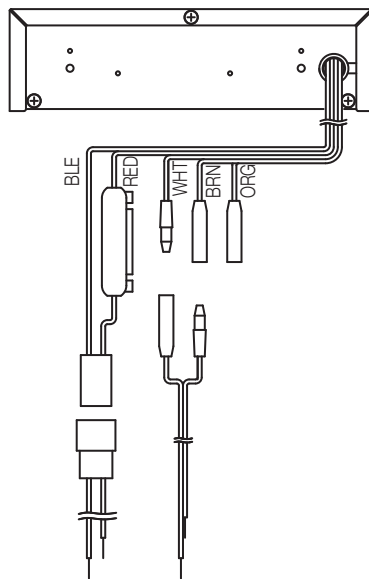
Power source.	14 V DC (10 - 16 V DC)
Rated output.	15 W
Power source.	14 V DC (10 - 16 V DC)
Frequency response.	100 Hz - 10 kHz (± 3 dB)
Frequency response.	100 Hz - 10 kHz (± 3 dB)
Power / current consumption	< 3 A
Distortion.	< 5 % (at 1 kHz)
Inputs	MIC 1,2: 600 Ω , 4 mV, phone jack AUX: 10 k Ω , 500 mV, phone jack terminal
Outputs	4 Ω / 8 Ω
Distortion.	< 5 % (at 1 kHz)
Finish.	ABS resin, Steel plate, black,

CA-115

MOBILE AMPLIFIER

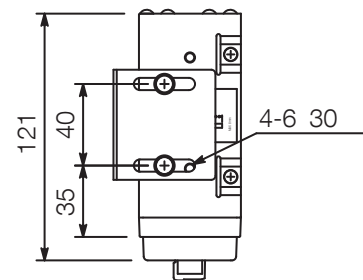
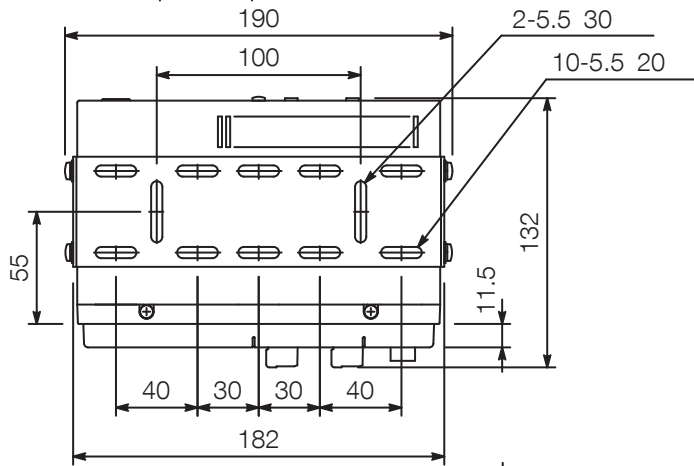
Appearance

Rear View



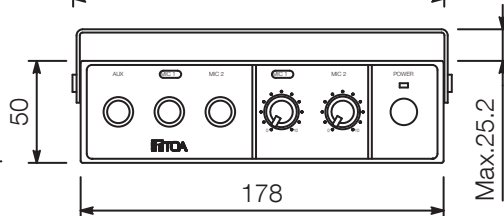
Accessory microphone (1/5)

Top View



Side View

Front View



UNIT:mm

SCALE:1/4