

The CA-160 is a 1-DIN size unit 60 W car amplifier designed for use with a 12 V battery car.



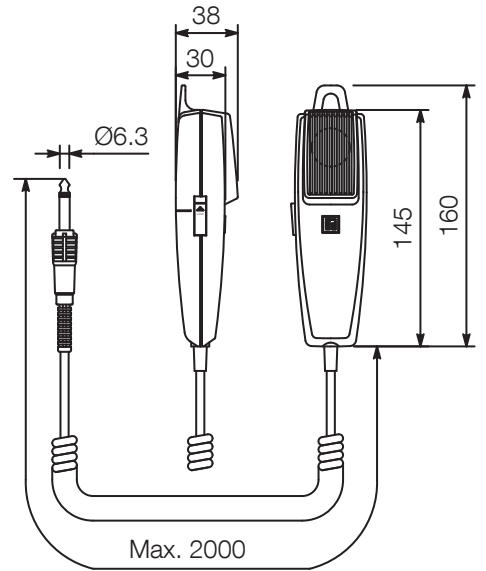
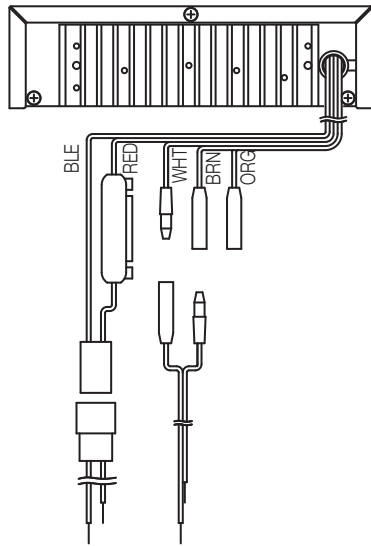
Article number: CA-160 EU
 Alternative products: CA-115, CA-130,
 CA-130 EU

Specifications

Power source.	14 V DC (10 - 16 V DC)
Rated output.	60 W
Power source.	14 V DC (10 - 16 V DC)
Frequency response.	100 Hz - 10 kHz (± 3 dB)
Frequency response.	100 Hz - 10 kHz (± 3 dB)
Power / current consumption	< 9 A
Distortion.	< 5 % (at 1 kHz)
Inputs	MIC 1,2: 600 Ω , 4 mV, phone jack AUX: 10 k Ω , 500 mV, phone jack terminal
Outputs	4 Ω / 8 Ω
Distortion.	< 5 % (at 1 kHz)
Finish.	ABS resin, Steel plate, black,

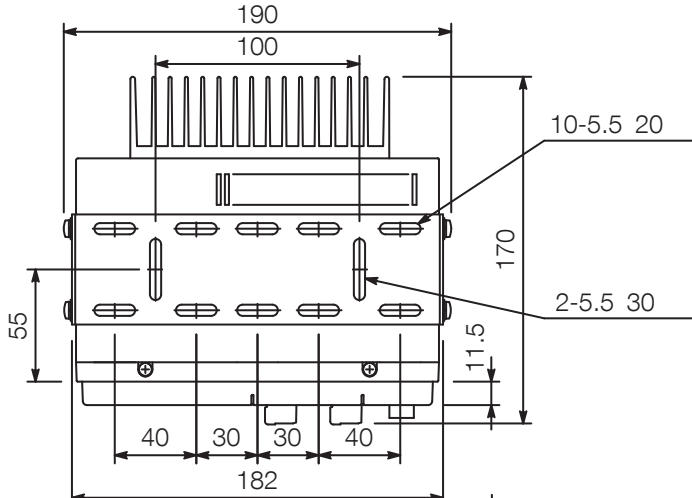
Appearance

Rear View

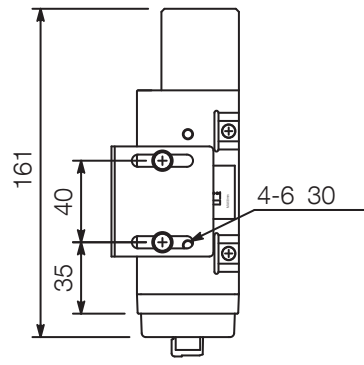
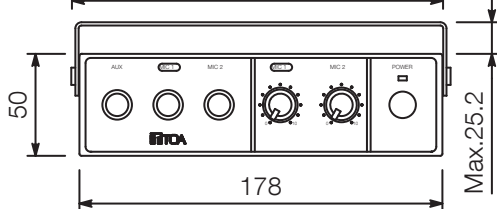


Accessory microphone (1/5)

Top View



Front View



Side View

UNIT:mm

SCALE:1/4