

The CS-530BS-EB is certified according to the European Standard EN54-24: 2008, the International Standard ISO 7240-24; 2010 and in compliance with the British Standard BS 5839-8: 2008 14.8. Certification number is 1488-CPR-0504/W

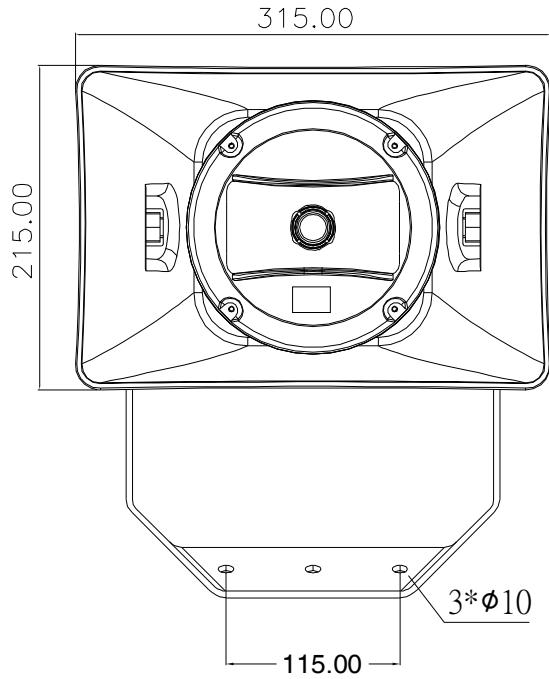
■ DESCRIPTION

- Highly intelligible speakers suited to voice alarm, public address and BGM application by two way system.
- Certified to EN 54-24, and ISO 7240-24, and compliant with BS 5839-8.
- All weather durability, water and dust protection to IP 66.
- Impedance change available by tapping changing located inside the terminal cover.

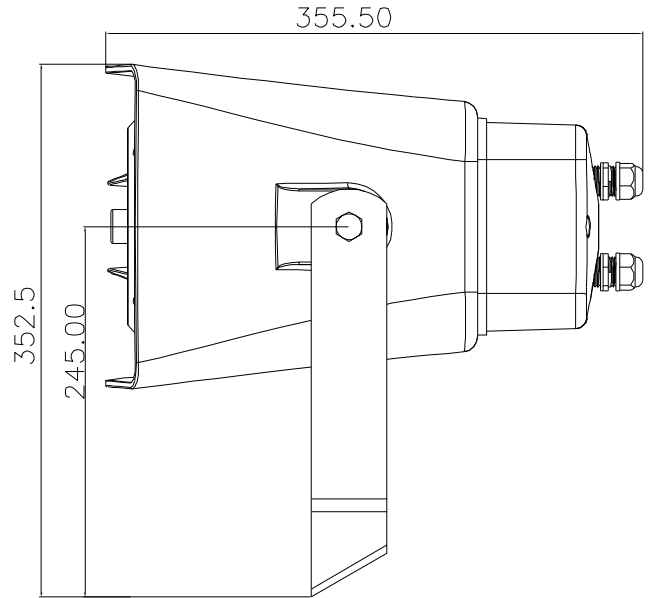
■ SPECIFICATIONS

Rated Power	30W
Rated Impedance	330Ω (30W), 670Ω (15W), 1.3kΩ (7.5W), 2.7kΩ (3.75W)
Sound Pressure Level	96dB (1m, 1W)
Maximum S. P. L.	111dB
Frequency Response	120 - 20,000 Hz (Peak -10dB)
Speaker Component	Bass : 12.7 cm (5") Coating Rubber Surround Treble : High Efficiency Tweeter
Coverage Angle (500Hz/1kHz/2kHz/4kHz, -6dB)	Horizontal : 140° / 60° / 90° / 90°
	Vertical : 180° / 100° / 95° / 140°
Environmental Type	B (outdoor applications)
Operating Temperature	-25 ℃ to +70 ℃
Dust/Water Protection	IP66
Speaker Mounting Method	Wall-mount
Applicable Cable	Solid copper wire or 7-core twisted copper wire 0.3 mm ² - 3.2 mm ² (AWG 22 - 12)
Connection	Screw terminal
Finish	Horn and terminal cover : ABS resin, Light Grey (RAL7035 or equivalent) Bracket and screws: Stainless steel
Dimensions	315 (W) x 215 (H) x 355.5 (D) mm
Weight	4.7 kg

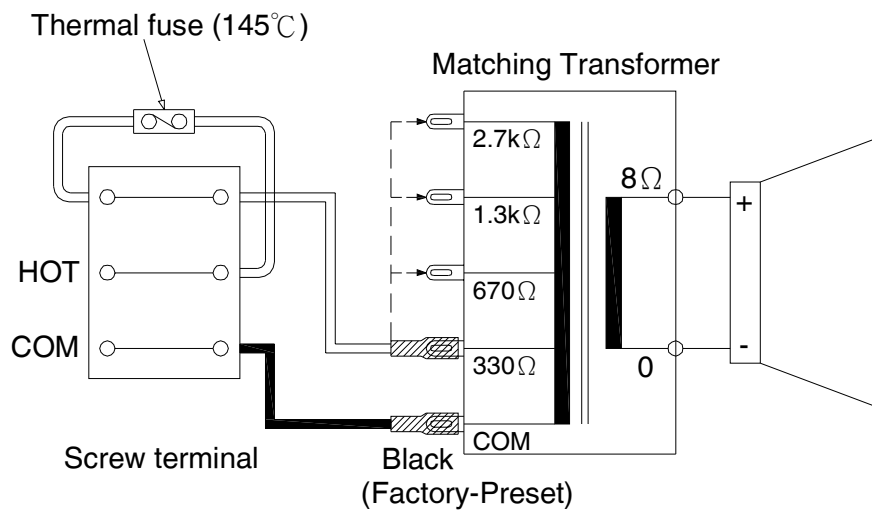
■ APPEARANCE



Front View



Side View



Wiring Diagram