

The CS-660BS-EB is certified according to the European Standard EN54-24: 2008, the International Standard ISO 7240-24; 2010 and in compliance with the British Standard BS 5839-8: 2008 14.8. Certification number is 1488-CPR-0504/W

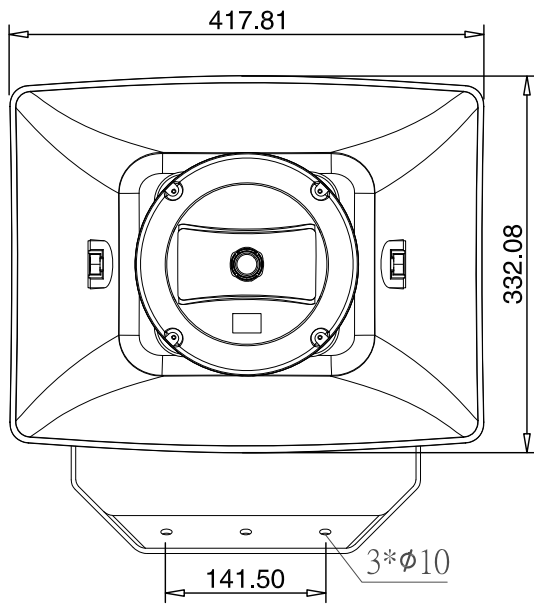
■ DESCRIPTION

- Highly intelligible speakers suited to voice alarm, public address and BGM application by two way system.
- Certified to EN 54-24, and ISO 7240-24, and compliant with BS 5839-8.
- All weather durability, water and dust protection to IP 66.
- Impedance change available by tapping changing located inside the terminal cover.

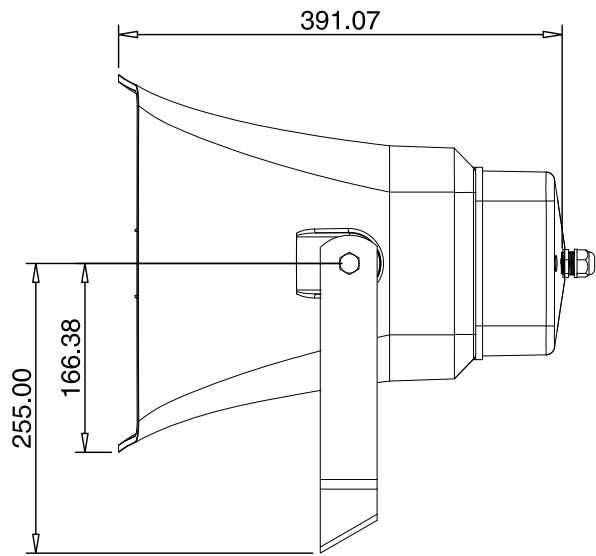
■ SPECIFICATIONS

Rated Power	60W
Rated Impedance	170Ω (60W), 330Ω (30W), 670Ω (15W), 1.3kΩ (7.5W)
Sound Pressure Level	97dB (1m, 1W)
Maximum S. P. L.	115dB
Frequency Response	100 – 20,000 Hz (Peak -10dB)
Speaker Component	Bass : 16.5 cm (6-1/2") Coating Rubber Surround Treble : High Efficiency Tweeter
Coverage Angle(-6dB) (500Hz/1kHz/2kHz/4kHz)	Horizontal : 105° / 50° / 80° / 80°
	Vertical : 140° / 70° / 90° / 150°
Environmental Type	B (outdoor applications)
Operating Temperature	-25 °C to +70 °C
Dust/Water Protection	IP66
Speaker Mounting Method	Wall-mount
Applicable Cable	Solid copper wire or 7-core twisted copper wire 0.3 mm ² – 3.2 mm ² (AWG 22 – 12)
Cable Connection	Screw terminal
Finish	Hom and terminal cover : ABS resin, Light Grey (RAL7035 or equivalent) Bracket : Steel with coating Screws : stainless steel
Dimensions	418 (W) x 332 (H) x 391 (D) mm
Weight	7.1 kg

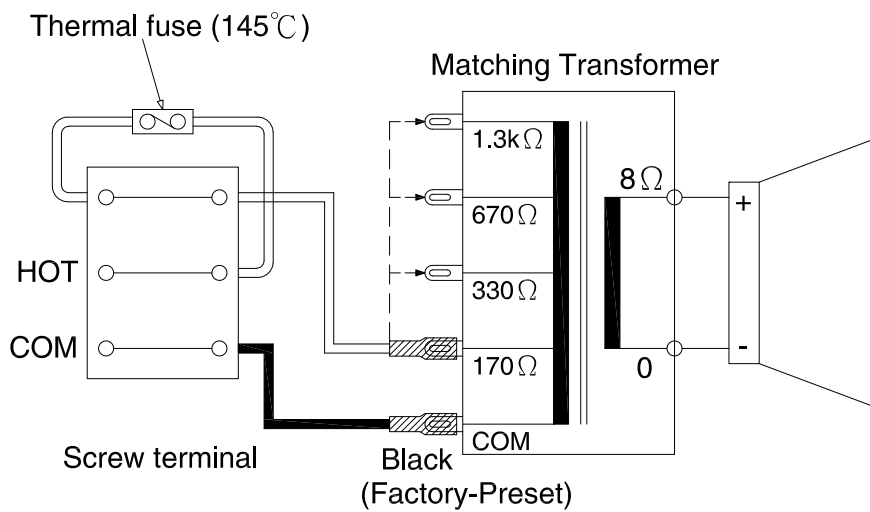
■ APPEARANCE



Front View



Side View



Wiring Diagram