

The DM-880 is a multi-purpose microphone featuring high intelligibility.

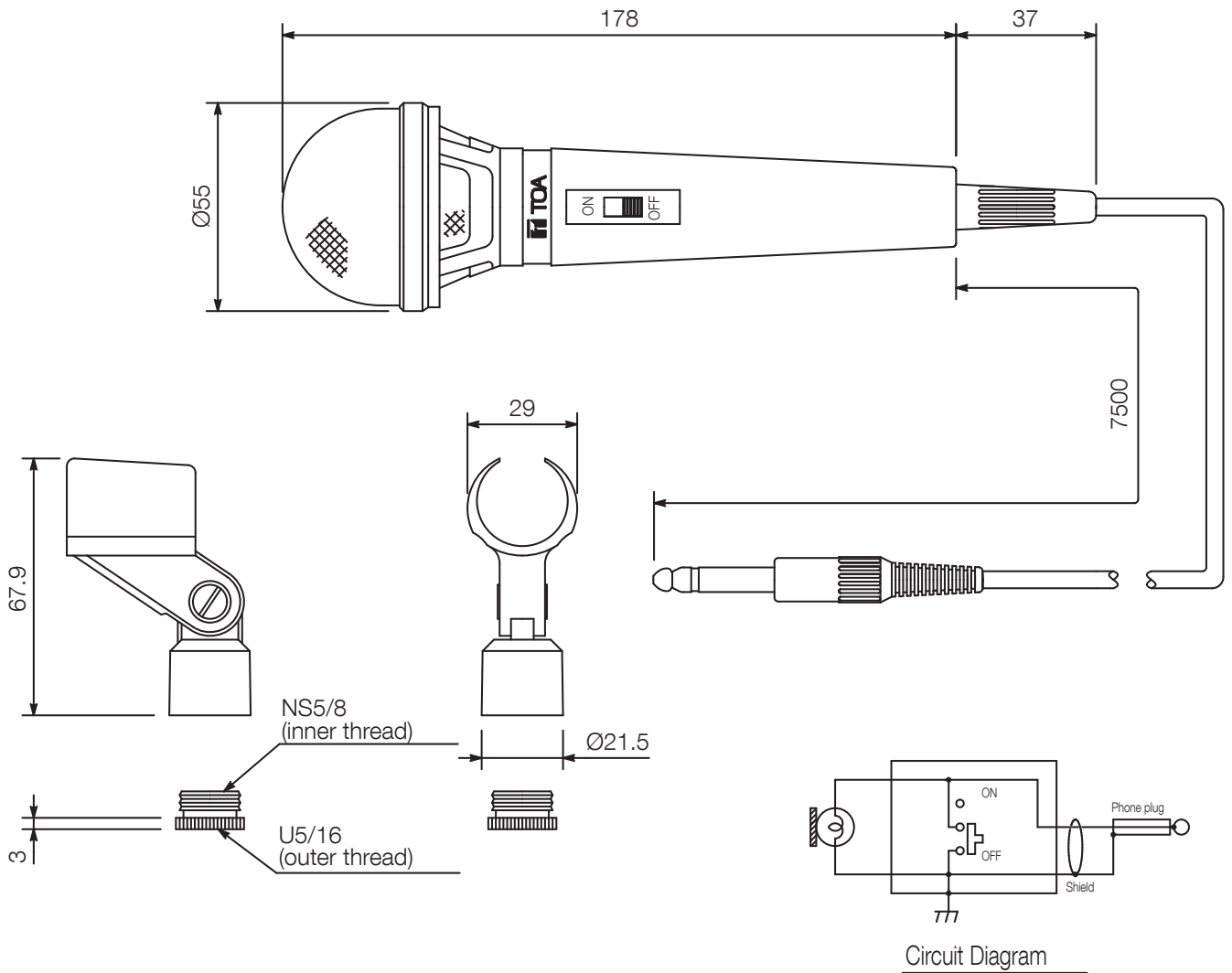


Article number:DM-880-EB QJ
Alternative products: DM-1100, DM-1300

Specifications

Frequency response	70 Hz - 17 kHz
Connection	3-pin XLR jack
Rated impedance	250 Ω
Controls	Talk switch: Short-off type, slide on/off switch
Microphone type	Dynamic microphone
Directivity	Hypercardioid
Sensitivity	-52 dB (1 kHz 0 dB = 1 V/Pa)
Dimensions (W x H x D)	x 174
Dimensions (ϕ x D)	54 x 174 mm
Finish	Aluminium, die-cast, paint, black,

Appearance



UNIT:mm SCALE:1/2