

ER-1215

15W HAND MEGAPHONE

The ER-1215 is an easy-to-operate, hand grip type megaphone rated at 15 W of output. The newly developed polyimide diaphragm is employed to ensure high sound quality.



Article number:ER-1215 EU
Alternative products: ER-1215, ER-1215S

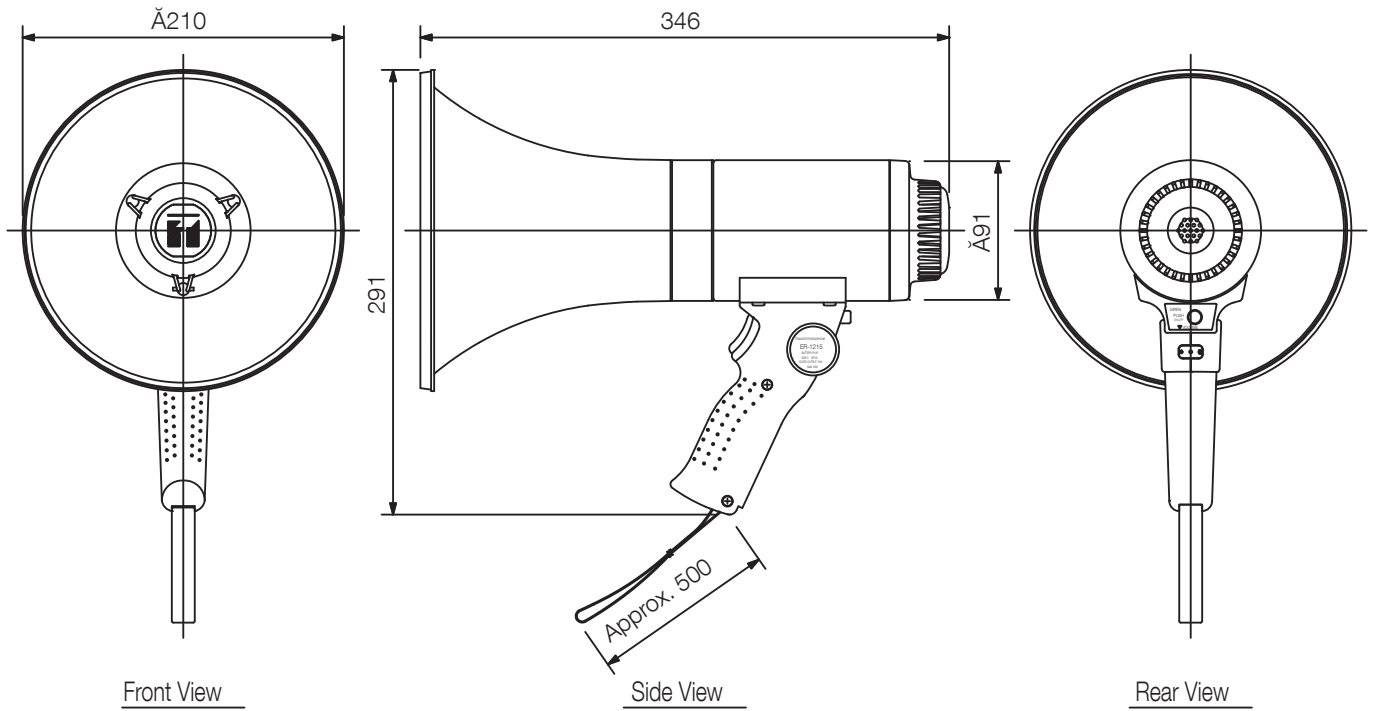
Specifications

Power source	6 x 1,5 V (R 14)
Rated output	15 W (23 W max.)
Battery life	14 h
Audible range	Voice 315 m
Dimensions (W x H x D)	210 x 291 x 346 mm
Dimensions (ø x D)	x 346 mm
Finish	ABS resin, light grey (RAL 7035 or equivalent), grey,
Operating temperature	-10 °C to +40 °C

ER-1215

15W HAND MEGAPHONE

Appearance



<Note on the audible range and battery life>

1. The indications of the audible range and battery life are based on the JEITA Standard*.
2. Audible range presumes that the megaphone employs new batteries and is used on a quiet street.
It varies depending on such conditions as battery consumption, ambient noise, wind direction, and obstacles.
3. Battery life assumes that megaphone is used for 30 minutes a day.

UNIT:mm

SCALE:1/5