

The ER-3215 is an easy-to-operate, hand grip type 15 W megaphone with a removable microphone. It can be used as a shoulder-type megaphone when the microphone is detached. The newly developed polyimide diaphragm is employed to ensure high sound quality.

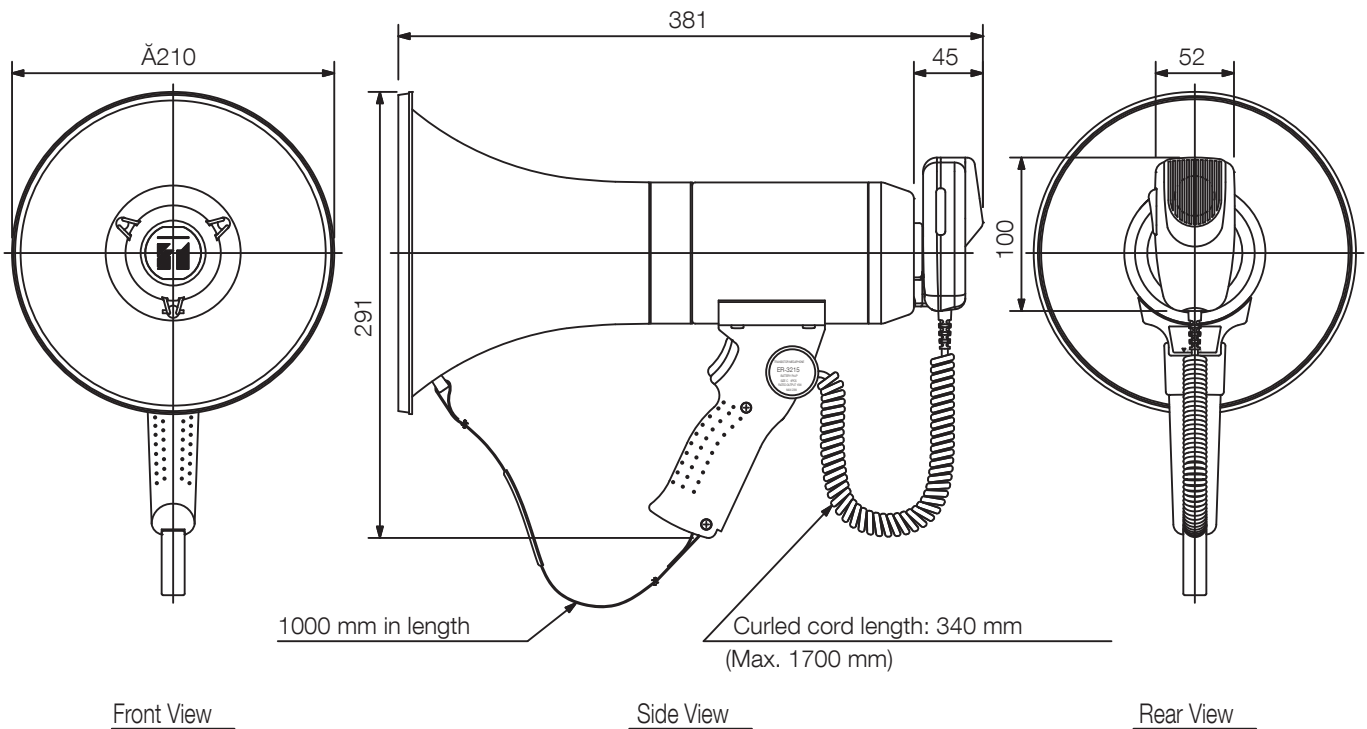


Article number: ER-3215 EU

Specifications

Power source.	6 x 1,5 V (R 14)
Rated output.	15 W (23 W max.)
Power source.	6 x 1,5 V (R 14)
Battery life	9 h
Audible range	Voice 400 m
Finish.	ABS resin, light grey (RAL 7035 or equivalent), grey,
Operating temperature.	-10 °C to +40 °C

Appearance



<Note on the audible range and battery life>

1. The indications of the audible range and battery life are based on the JEITA Standard*.
2. Audible range presumes that the megaphone employs new batteries and is used on a quiet street.
It varies depending on such conditions as battery consumption, ambient noise, wind direction, and obstacles.
3. Battery life assumes that megaphone is used for 30 minutes a day.

UNIT:mm

SCALE:1/5