

ANCHOR HANGING BRACKET

HY-AH1

Please follow the instructions in this manual to obtain the optimum results from this unit. We also recommend that you keep this manual handy for future reference.

1. SAFETY PRECAUTIONS

- Be sure to read the instructions in this section carefully before use.
- Make sure to observe the instructions in this manual as the conventions of safety symbols and messages regarded as very important precautions are included.
- We also recommend you keep this instruction manual handy for future reference.



WARNING

Indicates a potentially hazardous situation which, if mishandled, could result in death or serious personal injury.

- Leave the installation to your TOA dealer because the installation requires expert knowledge. Improper installation may cause the speaker to fall, resulting in personal injury and/or property damage.
- Install the mounting hardware in a location that can structurally support the weight of the mounting hardware and the speaker. Doing otherwise may result in the speaker falling down and causing personal injury and/or property damage.
- Do not use other methods than specified to mount the unit. Extreme force is applied to the unit and the unit could fall off, possibly resulting in personal injuries.
- Tighten each nut and bolt securely. Ensure that the unit has no loose joints after installation to prevent accidents that could result in personal injury.
- Use the specified speaker in combination. Doing otherwise may cause the speaker or component to fall off, resulting in personal injury.



CAUTION

Indicates a potentially hazardous situation which, if mishandled, could result in moderate or minor personal injury, and/or property damage.

- Avoid touching the unit's sharp metal edge to prevent injury.

2. GENERAL DESCRIPTION

TOA's HY-AH1 Anchor Hanging Bracket is designed to be mounted to an anchor bolt to prevent the full weight of a flush-mounted ceiling speaker from being directly applied to the ceiling panel. The ceiling reinforcement ring which is supplied with the speaker is required when using the Anchor Hanging Bracket.

3. SPECIFICATIONS

Finish	Steel plate, plating
Weight	700 g
Usable Speaker	F-122C, F-2322C, F-2352C, F-2852C

• Accessory

Paper pattern 1

Note: The design and specifications are subject to change without notice for improvement.

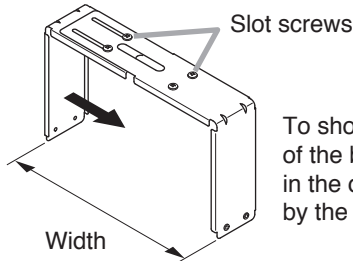
4. INSTALLATION

Refer to the speaker's instruction manual for information.

Step 1. Loosen the four slot screws to adjust the HY-AH1's width.

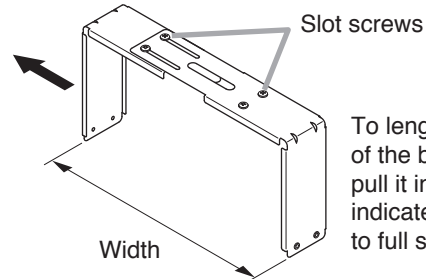
Depending on the type of speaker to be mounted, adjust the width as shown in the figures below.

[Mounting the F-122C, F-2322C or F-2352C speaker]



To shorten the width of the bracket, push it in the direction indicated by the arrow to full stop.

[Mounting the F-2852C speaker]



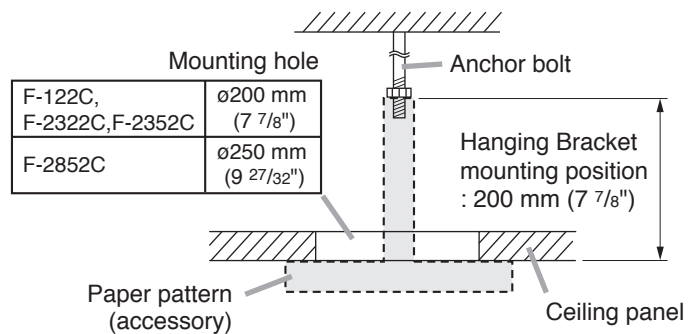
To lengthen the width of the bracket, pull it in the direction indicated by the arrow to full stop.

Note: Be sure to retighten the four slot screws after completing the width adjustment.

Step 2. Fix the Hanging Bracket to the anchor bolt.

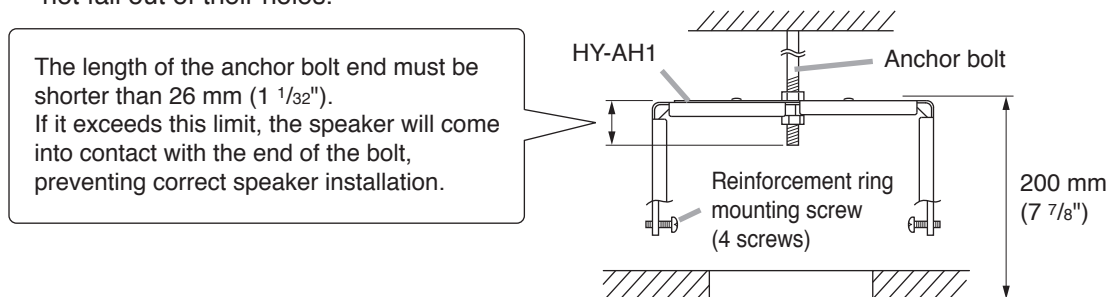
2-1. The position of the upper anchor bolt nut (the Hanging Bracket's mounting position) should be 200 mm (7 7/8") from the ceiling surface.

Note: Use the supplied paper pattern to determine the position.



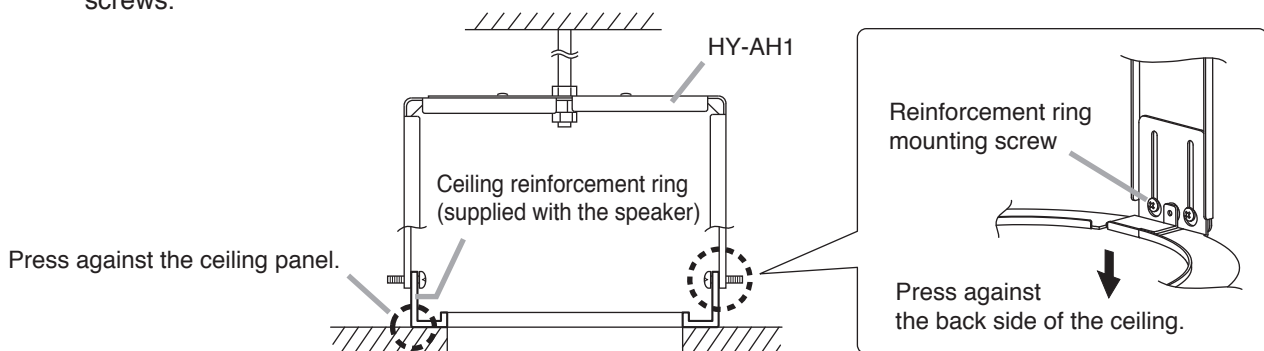
2-2. Mount the Hanging Bracket to the anchor bolt. Be sure to securely fix using double nuts.

Note: Before mounting, loosen the four reinforcement ring mounting screws to the point that they do not fall out of their holes.



Step 3. Mount the ceiling reinforcement ring (supplied with the speaker) to the Hanging Bracket.

Press the reinforcement ring firmly against the back side of the ceiling panel, and secure with the four screws.



URL: <http://www.toa.jp/>