

SPEAKER RIGGING FRAMES

HY-PF1B
HY-PF1W
HY-PF1WP

TOA's HY-PF1B, HY-PF1W, and HY-PF1WP are used exclusively to suspend the HX-5 speaker system from the high ceiling.

Both the HY-PF1B and HY-PF1W are designed for indoor use, while the HY-PF1WP is designed for outdoor use.

The FB-120 series Subwoofer can be suspended using the HY-PF1B or HY-PF1W and the frame's supplied mounting brackets.

1. SAFETY PRECAUTIONS

- Before installation or use, be sure to carefully read all the instructions in this section for correct and safe operation.
- Be sure to follow all the precautionary instructions in this section, which contain important warnings and/or cautions regarding safety.
- After reading, keep this manual handy for future reference.

WARNING

Indicates a potentially hazardous situation which, if mishandled, could result in death or serious personal injury.

- Refer all installation work to the dealer from whom the speaker was purchased. Installation for flying requires extensive technical knowledge and experience. The speaker may fall off if incorrectly installed, resulting in possible personal injury.
- Flying Precautions
 - Be sure to follow the instructions below. Otherwise, the suspension wires or belts may be off or snap and the speaker may fall off, causing personal injury.
 - Use nuts and bolts that are appropriate for the ceiling's structure and composition.
 - Check to confirm that the suspension wires and belts are strong enough to withstand the load.
 - The connectors of the suspension wires and belts must be securely linked with those of the load.
 - All parts and components (such as enclosures, metal pieces, and screws) must be free from any deformation, crack, and corrosion.
 - Be sure to use screws supplied with the optional flying hardware when installing the speaker using such hardware.
- Install the unit only in a location that can structurally support the weight of the unit and the speaker. Doing otherwise may result in the speaker falling down and causing personal injury and/or property damage.
- (HY-PF1B and HY-PF1W only)
 - Since the unit is designed for indoor use, do not install it outdoors. If installed outdoors, the aging of parts causes the speaker to fall off, resulting in personal injury.
- Owing to the speaker's size and weight, be sure that at least two persons are available to install the unit. Failure to do so could result in personal injury.

- Do not use other methods than specified to mount the unit. Extreme force is applied to the unit and the speaker could fall off, possibly resulting in personal injuries.
- Tighten each nut and bolt securely. Ensure that the unit has no loose joints after installation to prevent accidents that could result in personal injury.
- Use the specified speaker in combination. Doing otherwise may cause the speaker to fall off, resulting in personal injury.
- Do not mount the unit in locations exposed to constant vibration. The unit can be damaged by excessive vibration, potentially causing the speaker to fall, which could result in personal injury.
- Avoid installing the speaker in locations close to the seashore or in indoor swimming facilities that are not well ventilated. In such locations the bracket may be vulnerable to corrosion, eventually allowing the speaker to fall resulting in personal injury.

CAUTION

Indicates a potentially hazardous situation which, if mishandled, could result in moderate or minor personal injury, and/or property damage.

- Avoid touching the unit's sharp metal edge to prevent injury.
- Do not stand or sit on, nor hang down from the unit as this may cause it to fall down or drop, resulting in personal injury and/or property damage.
- Have the unit checked periodically by the shop from where it was purchased. Failure to do so may result in corrosion or damage to the unit that could cause the unit to fall, possibly causing personal injury.

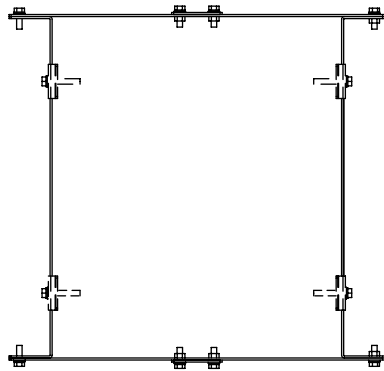
2. PRECAUTIONS WHEN INSTALLING THE HY-PF1WP

Only the HY-PF1WP can be installed outdoors.

- Only the HX-5B-WP and HX-5W-WP speaker systems can be installed outdoors.
- Install the speakers so that all speaker modules face downward from the horizontal axis.
 - Doing otherwise could adversely affect the speaker's weather resistance and possibly lead to malfunction or failure.

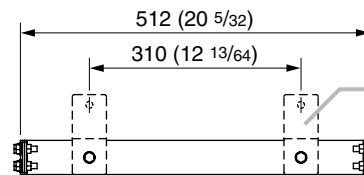
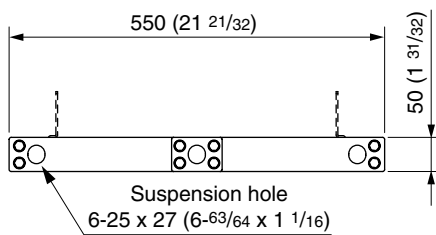
3. DIMENSIONAL DIAGRAM

Unit: mm (inches)



Note

The holes to use for suspension differ depending on the way of speaker suspension.



Subwoofer fixing bracket (HY-PF1B and HY-PF1W only, accessory)

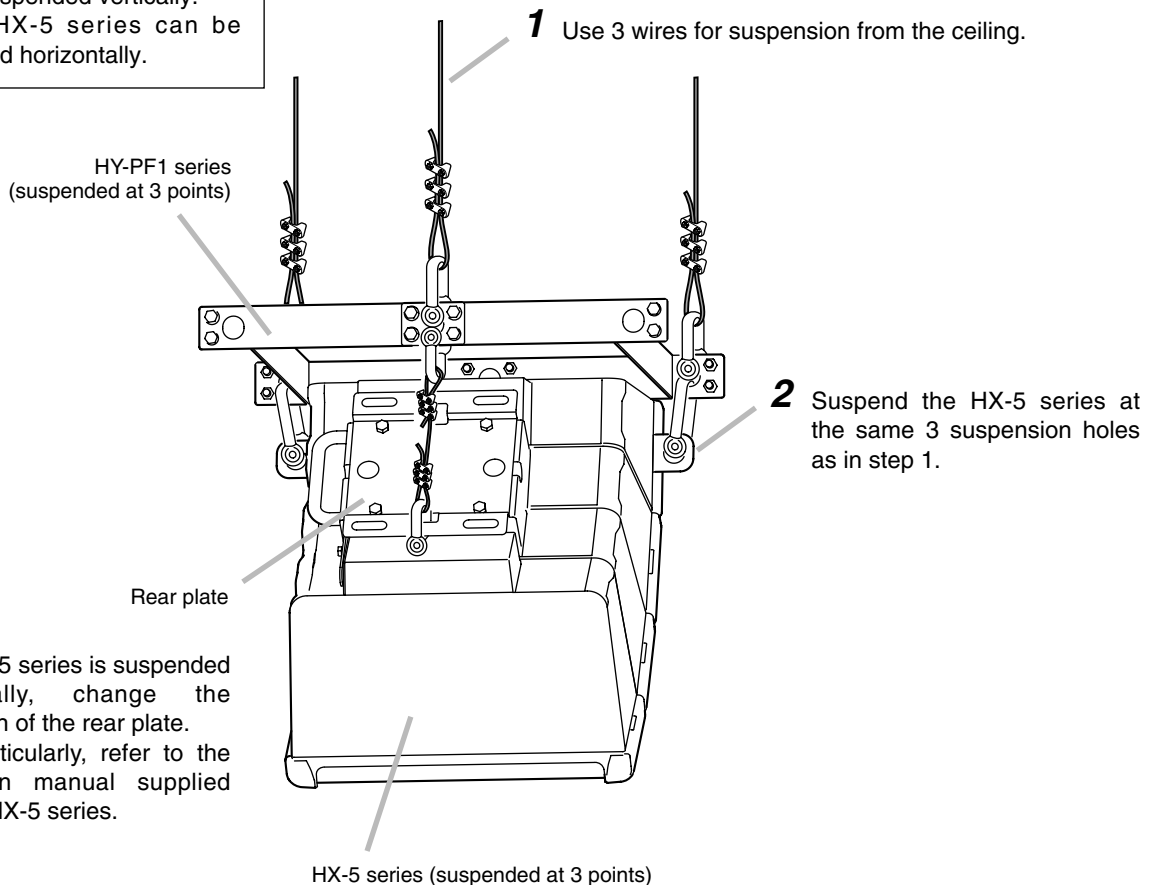
4. SUSPENSION

4.1. When Suspending Only HX-5 Series Speaker Systems

When suspending only HX-5 series with the HY-PF1 series, use chains, wires, or carabiners.

[Example of HX-5 series vertical suspension]

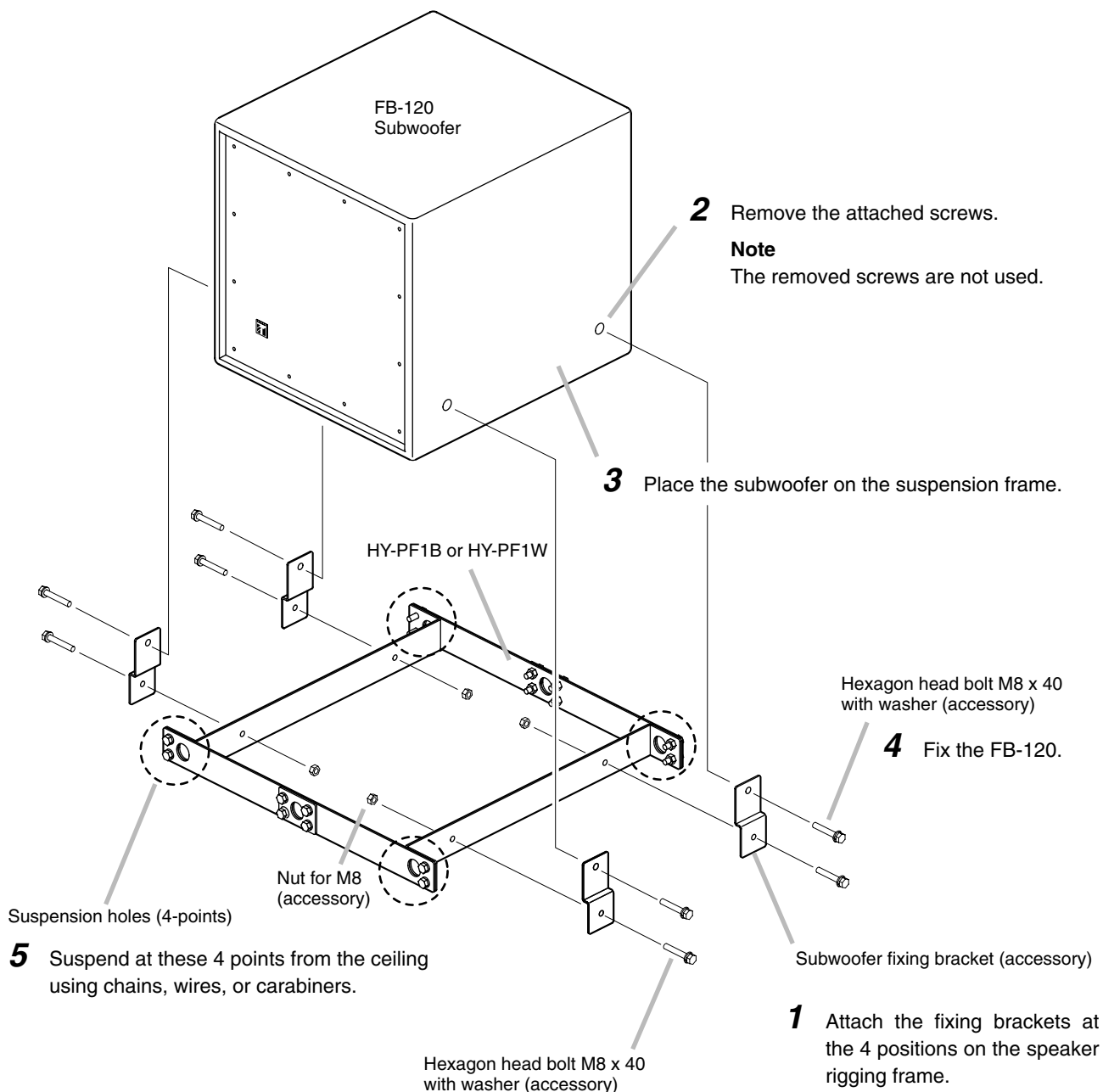
A stack of up to 4 HX-5 series can be suspended vertically. Only 1 HX-5 series can be suspended horizontally.



Note

If the HX-5 series is suspended horizontally, change the orientation of the rear plate. More particularly, refer to the instruction manual supplied with the HX-5 series.

4.2. When Suspending Only FB-120 Subwoofer (applicable to the HY-PF1B and HY-PF1W)

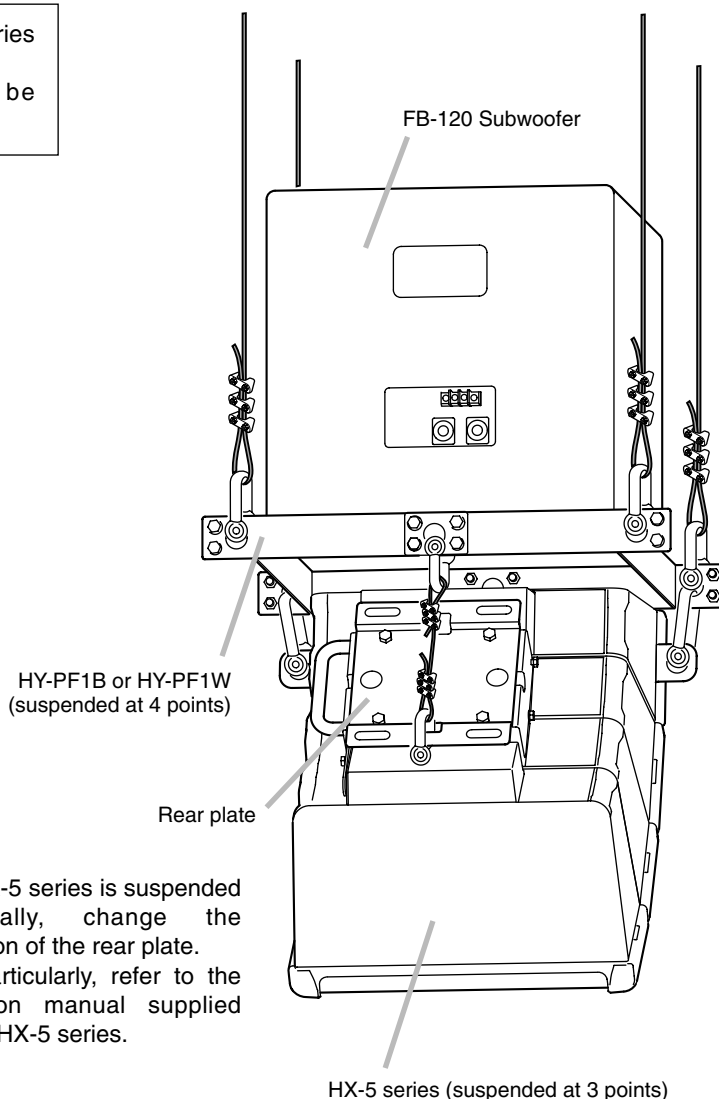


4.3. When Suspending Both HX-5 Series and FB-120 Simultaneously (applicable to the HY-PF1B and HY-PF1W)

After completing the suspension of the FB-120 as explained on the previous page, suspend the HX-5 series using chains, wires, and carabiners at 3 suspension holes on the speaker rigging frame.

[Example of HX-5 series vertical suspension]

A stack of up to 4 HX-5 series can be suspended vertically.
Only 1 HX-5 series can be suspended horizontally.



Note
If the HX-5 series is suspended horizontally, change the orientation of the rear plate. More particularly, refer to the instruction manual supplied with the HX-5 series.

5. SPECIFICATIONS

Model No.	HY-PF1B	HY-PF1W	HY-PF1WP
Finish	Steel plate, black, semi-gloss, paint	Steel plate, white, semi-gloss, paint	Stainless steel (SUS304)
Dimensions	550 (w) x 50 (h) x 512 (d) mm 21 21/32 (w) x 1 31/32 (h) x 20 5/32 (d) inches		
Weight	3.6 kg		

Note: The design and specifications are subject to change without notice for improvement.

• Accessories (HY-PF1B and HY-PF1W only)

Subwoofer fixing bracket	4
Hexagon head bolt M8 x 40 with washer	8
Nut for M8	4