

HY-PF7B

SPEAKER RIGGING FRAME

The HY-PF7B is used exclusively to suspend the HX-7B speaker system from the ceiling. The FB-150B Subwoofer can be suspended using this frame and the frame's supplied mounting brackets.



Article number:HY-PF7B

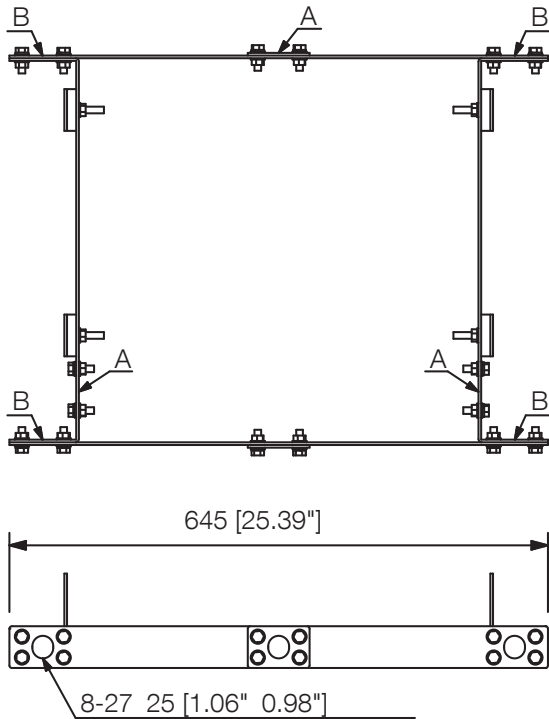
Specifications

Dimensions (W x H x D)	645 x 50 x 472 mm
Dimensions (ø x D)	x 472 mm
Finish	Steel plate, semi-gloss, paint, black,

HY-PF7B

SPEAKER RIGGING FRAME

Appearance

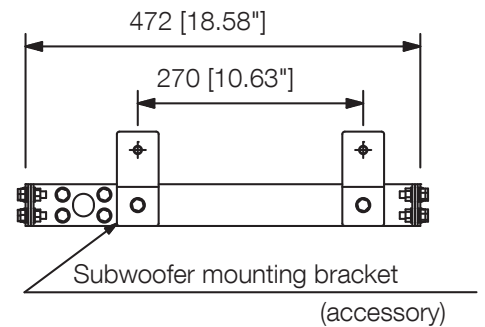


Hanging the HX-7B
Hanging the HX-7B with the FB-150B mounted

Holes A are used for hanging between the HY-PF7B and the HX-7B (3-point hanging), and Holes B for hanging between the HY-PF7B and the ceiling (4-point hanging).

Hanging the FB-150B

Holes B are used for hanging between the HY-PF7B and the ceiling (4-point hanging).



Example for HX-7B and FB-150B mounting
 (scale :1/15)