

SPEAKER STAND ADAPTER

HY-ST7

Thank you for purchasing TOA's Speaker Stand Adapter.
Please carefully follow the instructions in this manual to ensure long, trouble-free use of your equipment.

TABLE OF CONTENTS

1. SAFETY PRECAUTIONS	1	4. INSTALLATION	3
2. GENERAL DESCRIPTION	2	5. SPECIFICATIONS	8
3. MOUNTING DIAGRAM	2		

1. SAFETY PRECAUTIONS

- Before installation or use, be sure to carefully read all the instructions in this section for correct and safe operation.
- Be sure to follow all the precautionary instructions in this section, which contain important warnings and/or cautions regarding safety.
- After reading, keep this manual handy for future reference.

WARNING

Indicates a potentially hazardous situation which, if mishandled, could result in death or serious personal injury.

- Avoid installing or mounting the speaker stand in unstable locations, such as on a rickety table or a slanted surface. Doing so may result in the speaker stand falling down and causing personal injury and/or property damage.
- Since the adapter is designed for indoor use, do not install the speaker stand outdoors. If installed outdoors, the aging of parts causes the speaker to fall off, resulting in personal injury. Also, when the speaker gets wet with rain, there is a danger of electric shock.
- Owing to the speaker's size and weight, be sure that at least two persons are available to mount the speaker. Failure to do so could result in personal injury.
- Do not use other methods than specified to mount the adapter. Extreme force is applied to the adapter and the speaker could fall off, possibly resulting in personal injuries.
- Use the specified speaker stand.
Use K&M's 21300 Speaker Stand (recommended model) or other stands that can support at least 50 kg (110.23 lb) in weight. Further, use the stand with its inner pipe fully lowered. Doing otherwise could cause the stand to lose balance and topple over, potentially resulting in personal injury.

- Tighten each nut and bolt securely. Ensure that the adapter has no loose joints after installation to prevent accidents that could result in personal injury.

- Avoid installing the speaker in locations such as in indoor swimming facilities that are not well ventilated. In such locations, the adapter may be vulnerable to corrosion, eventually allowing the speaker to fall resulting in personal injury.

CAUTION

Indicates a potentially hazardous situation which, if mishandled, could result in moderate or minor personal injury, and/or property damage.

- Avoid placing the speaker stand in a doorway or other high traffic area as people may trip on the equipment and cords. Also, bundle the speaker cable under the speaker stand, then make cable routing in a way that people may not trip on it. Failure to observe above instructions may cause the speaker to fall down, resulting in personal injury.
- Avoid touching the adapter's sharp metal edge to prevent injury.
- Do not place heavy objects on the speaker as this may cause it to fall or break which may result in personal injury and/or property damage. In addition, the object itself may fall off and cause injury and/or damage.

2. GENERAL DESCRIPTION

The HY-ST7 Speaker Stand Adapter is used to mount the HX-7B or HX-7W Speaker System on a speaker stand. When the speaker directivity angle mode is 0°, 15° or 30°, the speaker angle can be adjusted downwardly within the range of 0° to 7.5° using this adapter.

The possibility of stand installation and downward angle adjustment relative to the set speaker directivity angle mode is shown in the figure below.

Speaker directivity angle mode	Speaker stand mounting	Downward angle adjustment
0°, 15°, 30°	Possible	Possible
45°	Possible	Not possible
60°	Not possible	—

Tip

Prepare the speaker stand and adapter separately. Recommended products are as follows:

Speaker stand : K&M 21300

Mounting adapter : K&M 19580

3. MOUNTING DIAGRAM

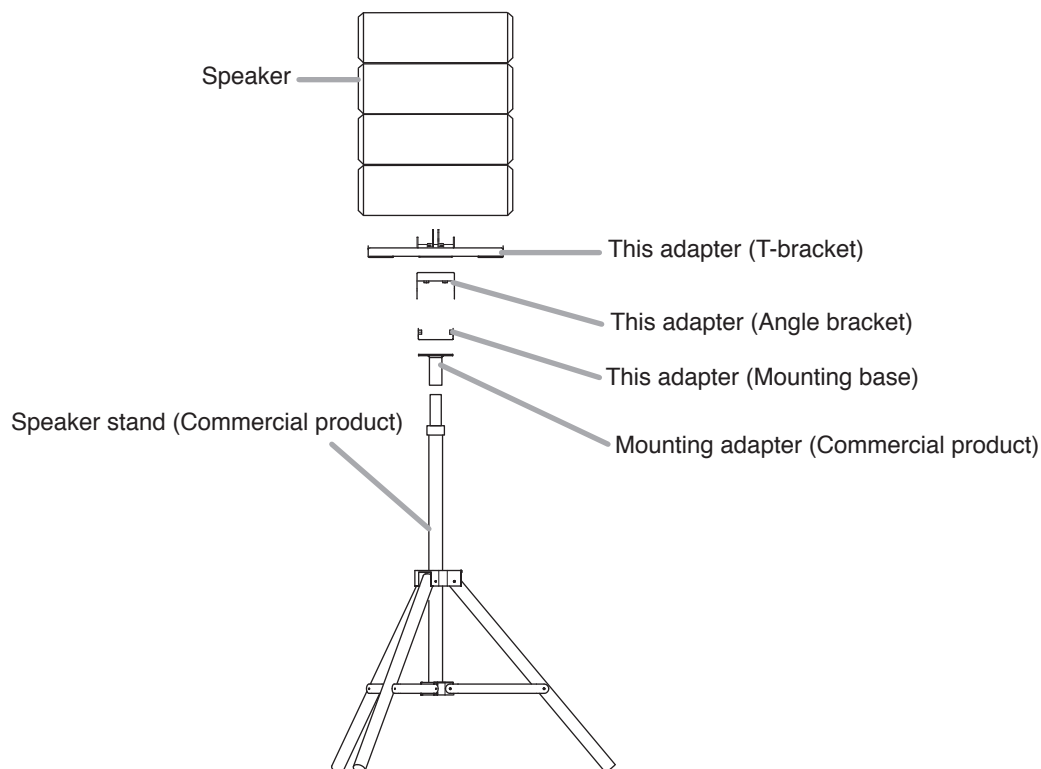


WARNING

Owing to the speaker's size and weight, be sure that at least two persons are available to mount the speaker. Failure to do so could result in personal injury.

Attach the speaker stand adapter to the upper part of the speaker and mount the speaker on the speaker stand upside-down.

[Component disassembly]



4. INSTALLATION



WARNING

Tighten the bolts securely, as instructed below. Failure to follow instructions precisely could result in a falling speaker and potential personal injury.

- Ensure that all bolts are securely inserted as far as their threads go, then securely fasten each bolt with a nut.
- Tighten all the bolts with the designated tightening torque. For tightening, use a Phillips screwdriver, or open- or box-end wrench.

Step 1. Set the desired speaker directivity angle mode as needed.

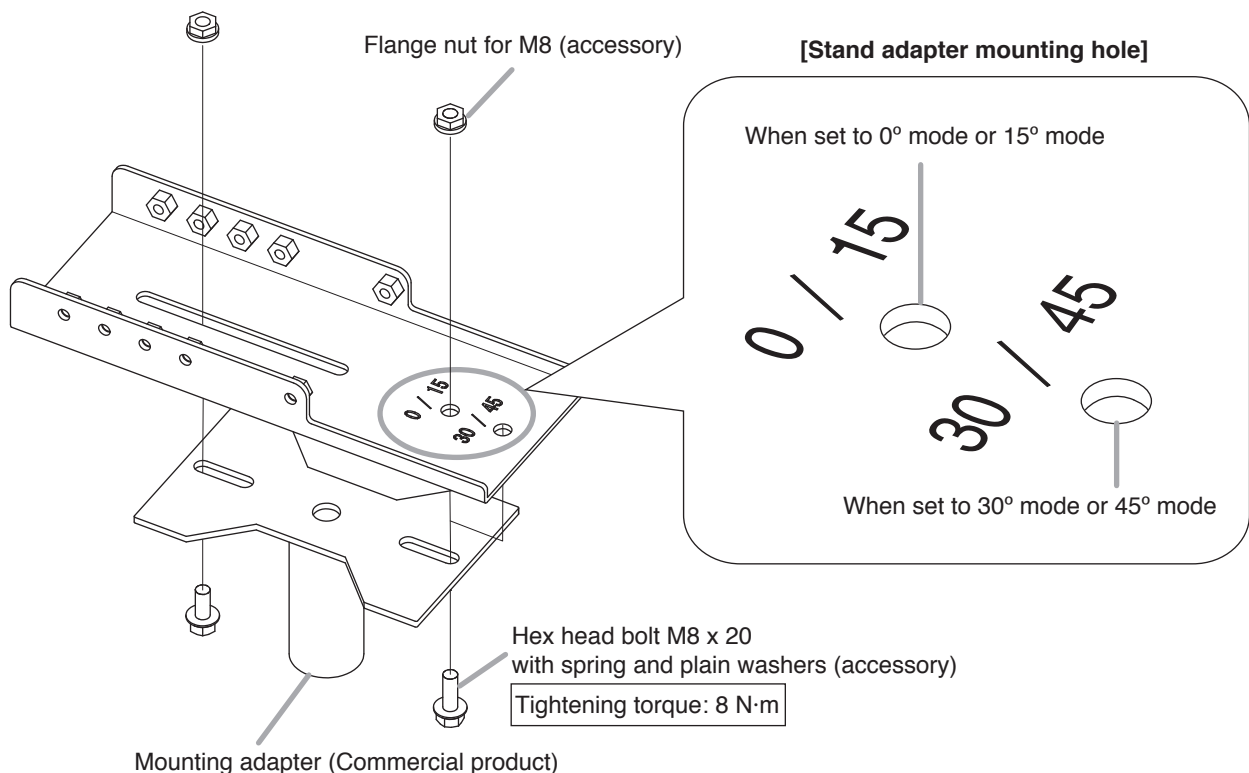
For mode setting, refer to the instruction manual supplied with the HX-7B or HX-7W.

Notes

- If set to 60° mode, the speaker cannot be mounted on the speaker stand with the HY-ST7.
- When mounting the speaker, set all rear angle bars to the same directivity angle mode position.

Step 2. Attach the mounting adapter (recommended product: K&M's 19580) to the mounting base.

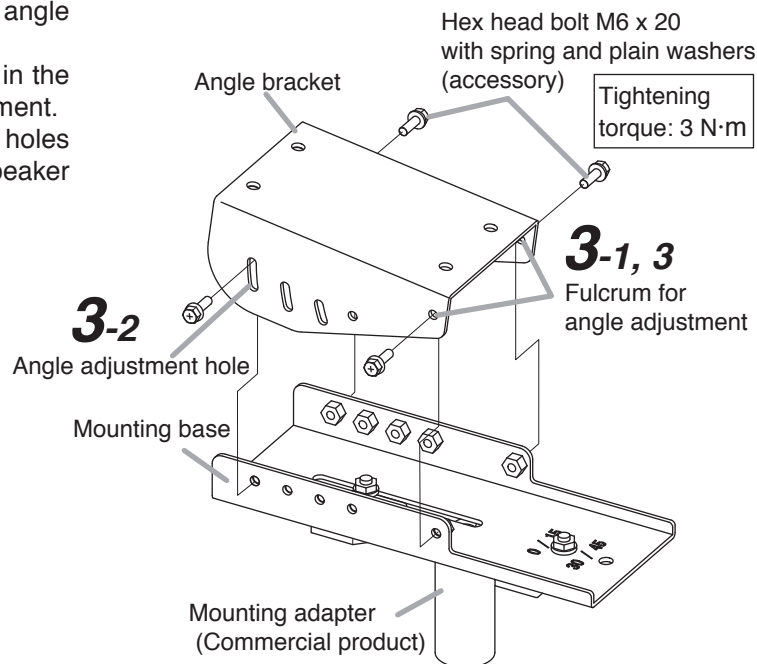
Set the adapter's bolt fixing position so that the bolt is inserted through the edge of each mounting hole of the adapter, as shown in the figure below. Also, tighten the bolts using the stand adapter mounting holes corresponding to the speaker directivity angle mode, as shown in the figure.



Step 3. Attach the mounting base to the angle bracket.

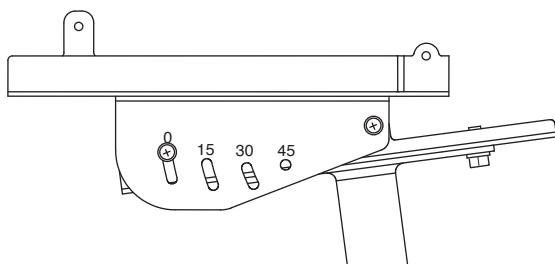
3-1. Partially install the supplied bolts in the fulcrum positions for angle adjustment.

3-2. Insert the supplied bolts into the holes corresponding to the set speaker directivity angle mode.

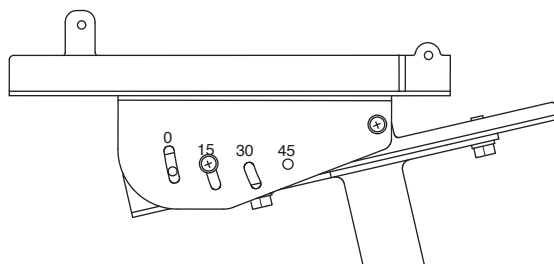


Fix the angle setting bolts in the positions corresponding to the set speaker directivity angle mode, as shown below:

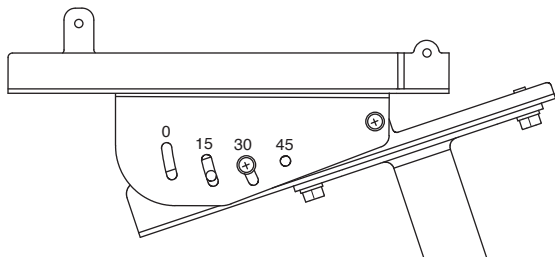
[0° mode]



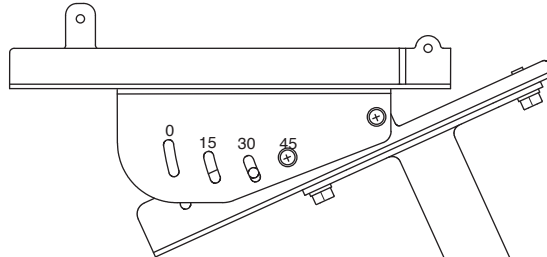
[15° mode]



[30° mode]

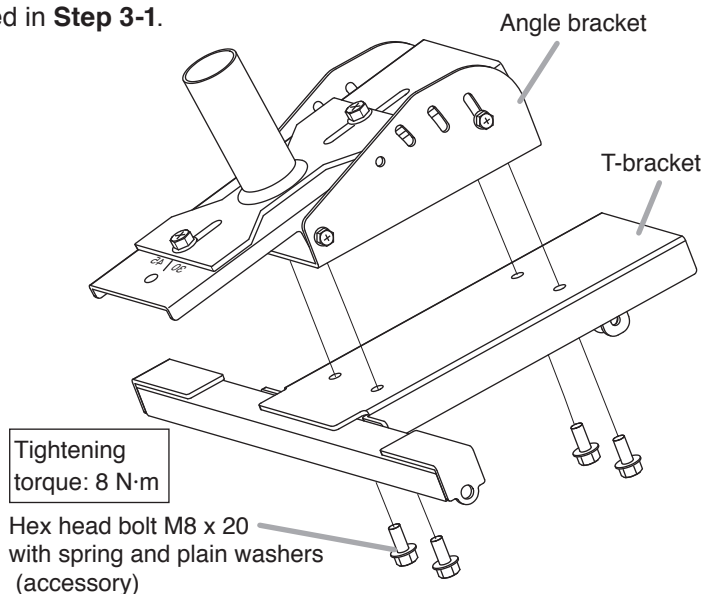


[45° mode]



3-3. Tighten the bolts that were partially inserted in **Step 3-1**.

Step 4. Attach the angle bracket to the T-bracket.

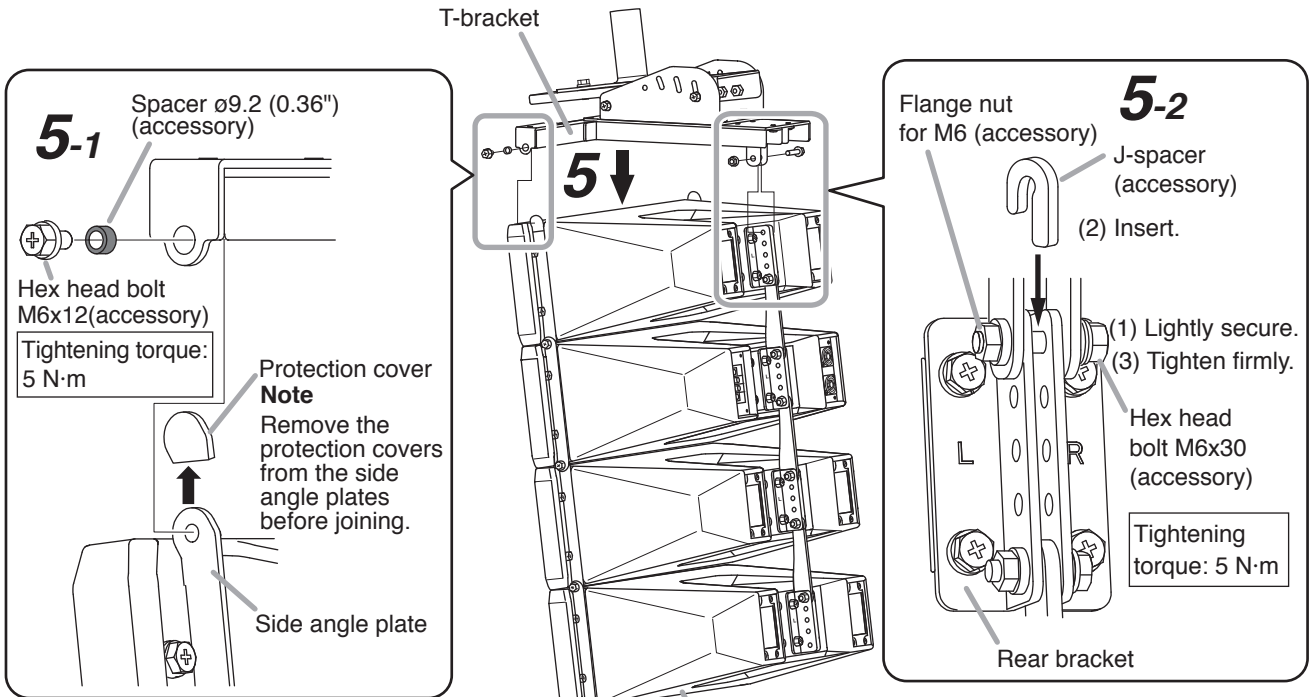


Step 5. Mount the speaker system to the T-bracket.

Mount the speaker system vertically, as shown in the figure.
Fix the speaker to the T-bracket at all 3 indicated places.

5-1. Fix the T-bracket to both ends of the side angle plates of the speaker front.
Use the supplied bolts (with spring and plain washers) and spacers.

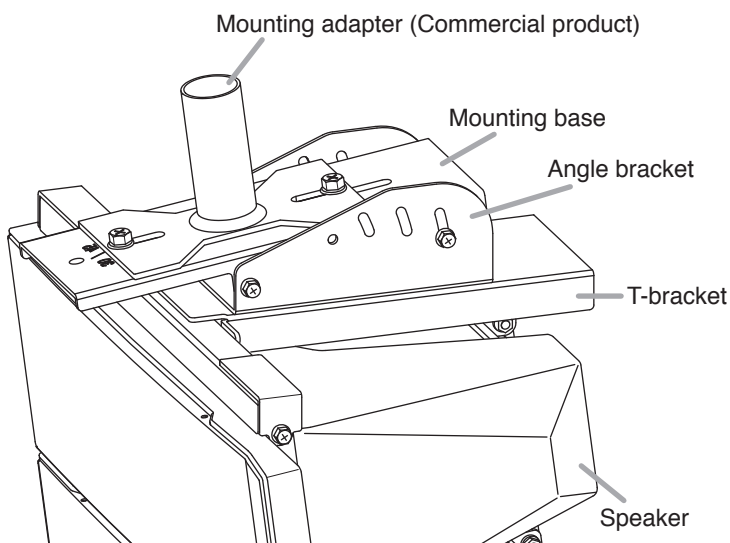
5-2. Fix the T-bracket to the speaker's rear bracket.
Fix to the rear bracket's endmost hole.
Use the supplied bolt (with spring and plain washers), J-spacer, and flange nut.
For details, refer to the procedures (1) to (3) as shown below.



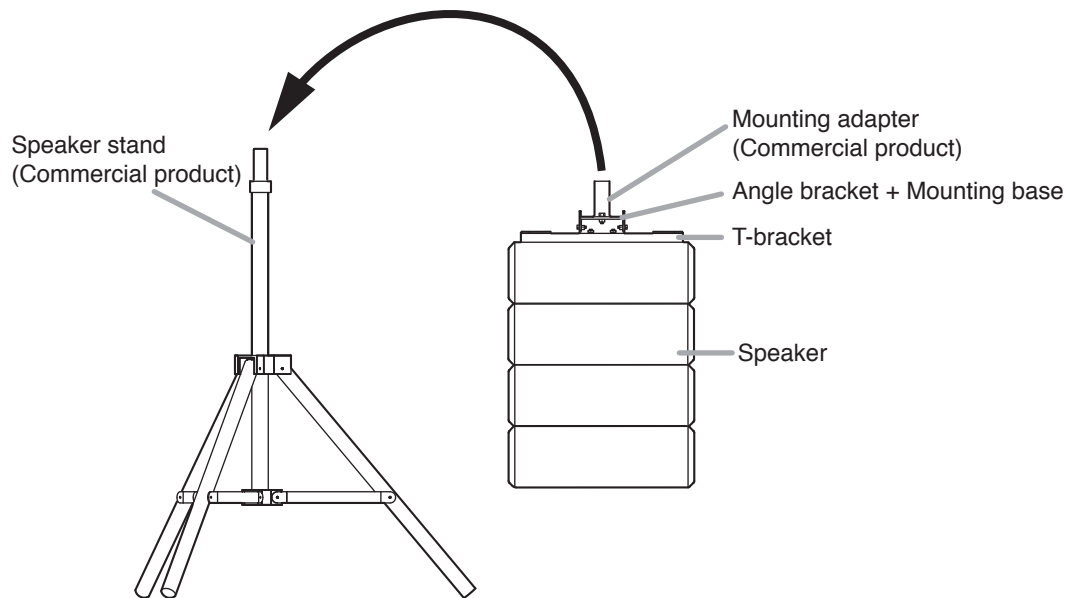
Note
Similarly, fix the T-bracket to the end of the side angle plate on the opposite side.

Note
After tightening the bolt, ensure that the J-spacer is firmly fixed.

[Completed installation]



Step 6. Mount the speaker on the speaker stand (recommended product: K&M's 21300).
Mount the speaker on the stand upside-down.



Note

For the methods of using the speaker stand or mounting the mounting adapter to the speaker stand, refer to the instruction manual supplied with the speaker stand.

Step 7. Adjust the downward angle, as required.

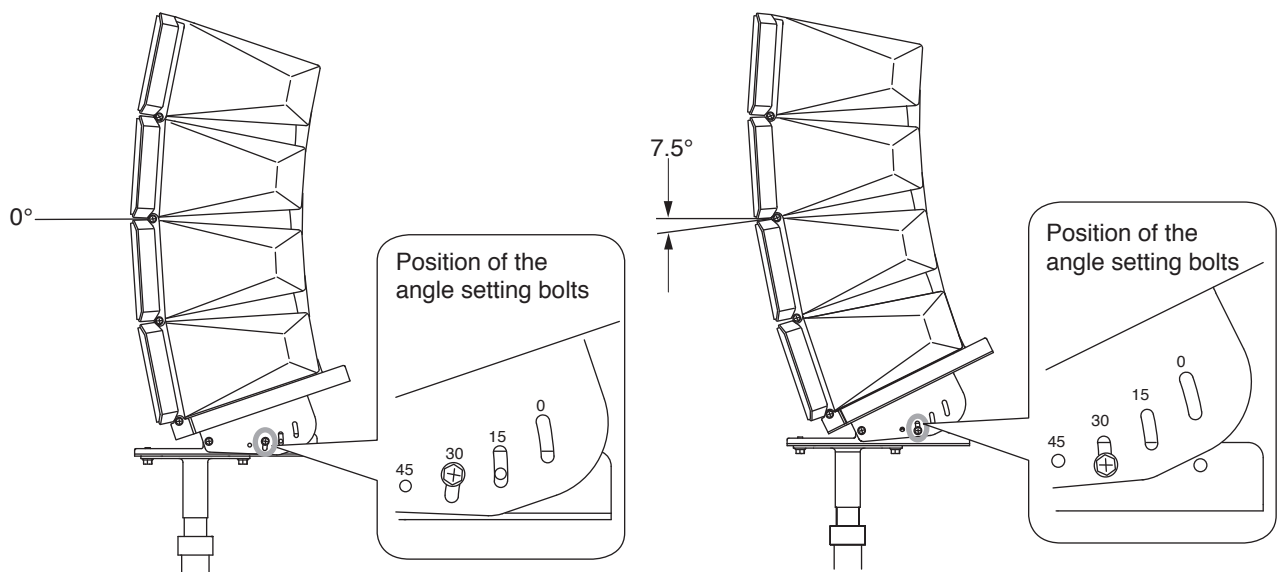
When the directivity angle mode is set to 0°, 15° or 30°, the speaker's downward angle can be changed within the range of 0° to 7.5°.

Note: The downward angle cannot be changed when the mode is set to 45°.

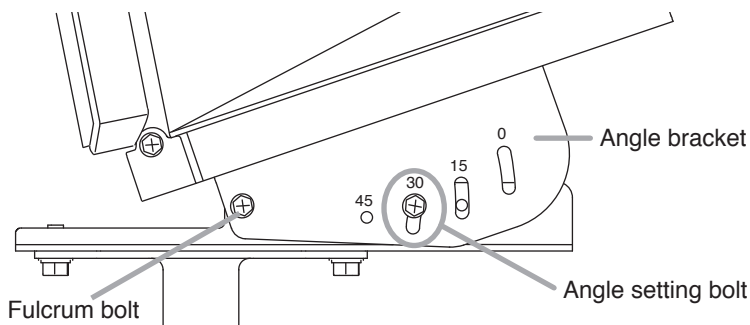
[Downward angle adjustment examples]

- When in 30° mode: 0°

- When in 30° mode: 7.5°

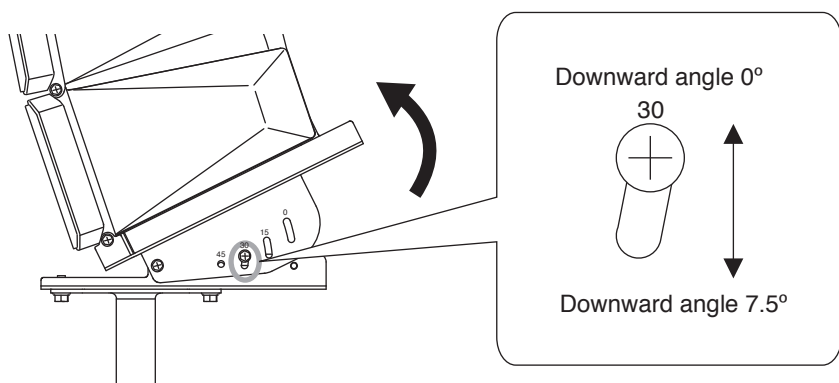


7-1. Loosen the angle bracket's fulcrum bolts and angle setting bolts.



7-2. Lift the angle bracket, including the speaker with the fulcrum bolt as a fulcrum, so that the required downward angle can be obtained.

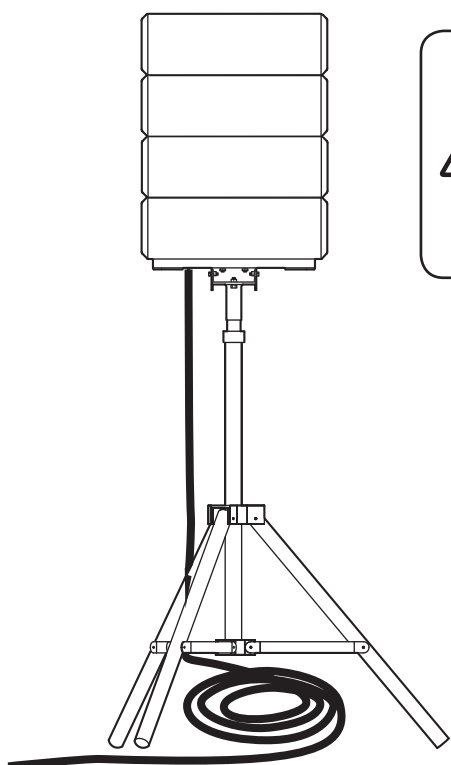
⚠ WARNING When lifting the angle bracket, support the stand firmly, as the speaker's center of gravity can move and the speaker may be liable to topple over.



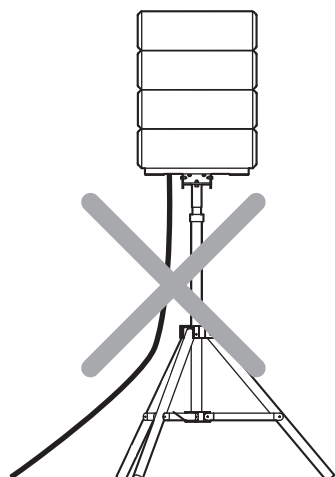
The figure shows the angle setting when in 30° mode. The downward angle can also be set similarly within the range of 0° to 7.5° when in 0° and 15° modes. However, the downward angle cannot be set when in 45° mode.

7-3. After the angle is determined, tighten the loose bolts. (Tightening torque: 3 N·m)

[Completed installation]



⚠ WARNING First bundle speaker cables under the speaker stand, then perform cable routing and other processing. If the cable is left slack, people may trip on it and the speaker could fall down, potentially resulting in personal injury.



5. SPECIFICATIONS

Applicable Speaker	HX-7B, HX-7W
Applicable Stand (Recommended product)	Speaker stand : K&M 21300 Mounting adapter : K&M 19580
Finish	Steel plate, black, semi-gloss, paint
Weight	4.3 kg (9.48 lb)
Product Composition	T-bracket 1, Angle bracket 1, Mounting base 1

Note

The design and specifications are subject to change without notice for improvement.

• Accessories

Hex head bolt M6 x 12 with spring and plain washers ...	2
Hex head bolt M6 x 20 with spring and plain washers ...	4
Hex head bolt M6 x 30 with spring and plain washers ...	1
Hex head bolt M8 x 20 with spring and plain washers ...	6
Spacer $\phi 9.2$ (0.36")	2
J-spacer	1
Flange nut for M6	1
Flange nut for M8	2

