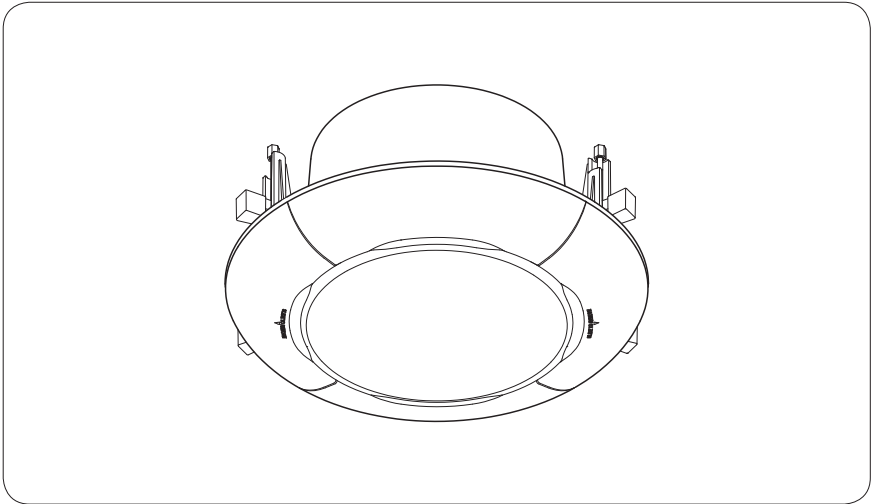




OPERATING INSTRUCTIONS

INFRARED WIRELESS SPEAKER IR-820SP



Thank you for purchasing TOA's Infrared Wireless Speaker.
Please carefully follow the instructions in this manual to ensure long, trouble-free use of your equipment.

TOA Corporation

TABLE OF CONTENTS

1. IMPORTANT SAFETY INSTRUCTIONS	3
2. SAFETY PRECAUTIONS	4
3. GENERAL DESCRIPTION	5
4. FEATURES	5
5. NOMENCLATURE AND DIMENSIONS	6
6. SYSTEM CONFIGURATION EXAMPLE	7
7. INSTALLATION PRECAUTIONS	8
7.1. Installation Position	8
7.2. Distance Between the Infrared Wireless Microphone and IR-820SP	8
7.3. Radio Noise	9
7.4. Connection to IR-802T	9
7.5. Sunlight and Fluorescent Lighting	9
8. MOUNTING HARDWARE INSTALLATION	10
9. WIRING	14
10. SPEAKER INSTALLATION	15
11. REMOVING THE IR-820SP FOR MAINTENANCE	17
12. INPUT OVERLOAD PROTECTION FUNCTION	18
13. SAFETY AGENCY COMPLIANCE	18
14. TROUBLESHOOTING	18
15. SPECIFICATIONS	19
Accessories	19
Optional product	19

1. IMPORTANT SAFETY INSTRUCTIONS

- Read these instructions.
- Keep these instructions.
- Heed all warnings.
- Follow all instructions.
- Do not use this apparatus near water.
- Clean only with dry cloth.
- Do not block any ventilation openings. Install in accordance with the manufacture's instructions.
- Do not install near any heat sources such as radiators, heat registers, stoves, or other apparatus (including amplifiers) that produce heat.
- Do not defeat the safety purpose of the polarized or grounding-type plug.
A polarized plug has two blades with one wider than the other. A grounding type plug has two blades and a third grounding prong. The wide blade or the third prong are provided for your safety.
If the provided plug does not fit into your outlet, consult an electrician for replacement of the obsolete outlet.
- Protect the power cord from being walked on or pinched particularly at plugs, convenience receptacles, and the point where they exit from the apparatus.
- Only use attachments/accessories specified by the manufacturer.
- Use only with the cart, stand, tripod, bracket, or table specified by the manufacturer, or sold with the apparatus.
When a cart is used, use caution when moving the cart/apparatus combination to avoid injury from tip-over.
- Unplug this apparatus during lightning storms or when unused for long periods of time.
- Refer all servicing to qualified service personnel. Servicing is required when the apparatus has been damaged in any way, such as power-supply cord or plug is damaged, liquid has been spilled or objects have fallen into the apparatus, the apparatus has been exposed to rain or moisture, does not operate normally, or has been dropped.



2. SAFETY PRECAUTIONS

- Before installation or use, be sure to carefully read all the instructions in this section for correct and safe operation.
- Be sure to follow all the precautionary instructions in this section, which contain important warnings and/or cautions regarding safety.
- After reading, keep this manual handy for future reference.

Safety Symbol and Message Conventions

Safety symbols and messages described below are used in this manual to prevent bodily injury and property damage which could result from mishandling. Before operating your product, read this manual first and understand the safety symbols and messages so you are thoroughly aware of the potential safety hazards.



WARNING

Indicates a potentially hazardous situation which, if mishandled, could result in death or serious personal injury.



CAUTION

Indicates a potentially hazardous situation which, if mishandled, could result in moderate or minor personal injury, and/or property damage.



WARNING

When Installing the Unit

- Refer all installation work to the dealer from whom the speaker was purchased. Speaker installation requires extensive technical knowledge and experience. The speaker may fall off if incorrectly installed, resulting in possible personal injury.
- Install the unit only in a location that can structurally support the weight of the unit and the mounting bracket. Doing otherwise may result in the unit falling down and causing personal injury and/or property damage.
- Since the unit is designed for indoor use, do not install it outdoors. If installed outdoors, the aging of parts causes the unit to fall off, resulting in personal injury. Also, when it gets wet with rain, there is a danger of electric shock.
- Do not use other methods than specified to mount the bracket. Extreme force is applied to the unit and the unit could fall off, possibly resulting in personal injuries.
- Attach the safety wire to the unit. If not attached, the unit could fall off, resulting in personal injury.
- Use nuts and bolts that are appropriate for the ceiling's or wall's structure and composition. Failure to do so may cause the speaker to fall, resulting in material damage and possible personal injury.
- Tighten each nut and bolt securely. Ensure that the bracket has no loose joints after installation to prevent accidents that could result in personal injury.

When the Unit is in Use

- Should the following irregularity be found during use, immediately switch off the power, disconnect

the power supply plug from the AC outlet and contact your nearest TOA dealer. Make no further attempt to operate the unit in this condition as this may cause fire or electric shock.

- If you detect smoke or a strange smell coming from the unit.
- If water or any metallic object gets into the unit
- If the unit falls, or the unit case breaks
- If the connection cable is damaged (exposure of the core, disconnection, etc.)
- If it is malfunctioning (no tone sounds.)
- To prevent a fire or electric shock, never open nor remove the unit case. Refer all servicing to qualified service personnel.



CAUTION

When Installing the Unit

- Avoid installing the unit in humid or dusty locations, in locations exposed to the direct sunlight, near the heaters, or in locations generating sooty smoke or steam as doing otherwise may result in fire or electric shock.
- Avoid touching the sharp metal edge to prevent injury.
- To avoid electric shocks, be sure to switch off the unit's power when connecting speakers.

When the Unit is in Use

- Do not operate the unit for an extended period of time with the sound distorting. Doing so may cause the connected speakers to heat, resulting in a fire.

FCC Compliance

This device complies with Part 15 of the FCC Rules. Operation is subject to the following two conditions:
(1) this device may not cause harmful interference, and
(2) this device must accept any interference received, including interference that may cause undesired operation.

Any modifications made to this device that are not approved by TOA Corporation may void the authority granted the user by the FCC to operate this equipment.

Note: This equipment has been tested and found to comply with the limits for a Class B digital device, pursuant to Part 15 of the FCC Rules. These limits are designed to provide reasonable protection against harmful interference in a residential installation. This equipment generates, uses and can radiate radio frequency energy and, if not installed and used in accordance with the instructions, may cause harmful interference with radio communications. However, there is no guarantee that interference will not occur in a particular installation. If this equipment does cause harmful interference to radio or television reception, which can be determined by turning the equipment off and on, the user is encouraged to try to correct the interference by one or more of the following measures:

- Reorient or relocate the receiving antenna.
- Increase the separation between the equipment and the receiver.
- Connect the equipment into an outlet on a circuit different from that to which the receiver is connected.
- Consult the dealer or an experienced radio/television technician for help.

3. GENERAL DESCRIPTION

The Infrared Wireless Microphone System using this IR-820SP is a PA system designed for use in the school classrooms assuming that their size is about 10 m x 10 m (30 ft x 30 ft).

The IR-820SP is a ceiling-mounted powered speaker with the infrared receiver and offers a wide frequency range of high-quality sound output. It features a digital amplifier for the amplification section, and a full-range speaker for the speaker section.

Use of the supplied mounting hardware and optional HY-TB1 Tile Bar Bridge permits it to be versatilely mounted to match a wide range of applications and installation locations. This speaker is combined with an infrared wireless microphone and the IR-802T Infrared Wireless Tuner to make up the infrared wireless microphone system.

The infrared wireless microphone system eliminates problems with interference or eavesdropping, allowing simultaneous use in adjacent school classrooms.

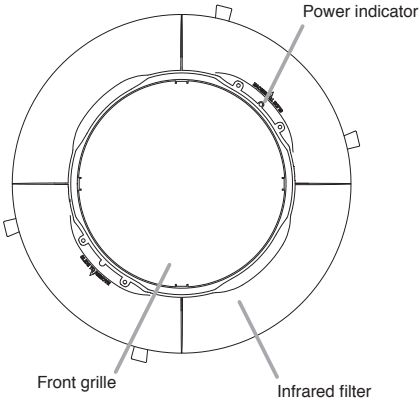
4. FEATURES

- Bass-reflex speaker system designed to provide a wide frequency range and high power handling capability.
- Wide-dispersion ceiling-mounted speaker design employs unique acoustic construction to realize a wide area of coverage. Uniform sound output levels are achievable not only directly under the speaker, but also over a wide radius.
- Connected to the IR-802T Infrared Wireless Tuner using a single Category 5 straight through cable fitted with an RJ-45 connector.
- Operates on DC power supplied from the IR-802T.
- Sends infrared signals to the IR-802T. Receives mixed audio signals from the IR-802T.
- Power amplifier section of 20 W output through digital amplification.
- Easy installation. Can be quickly and accurately mounted to ceilings.
- Compliant to UL2043 standard (Plenum, Use in the Air Handling Space).

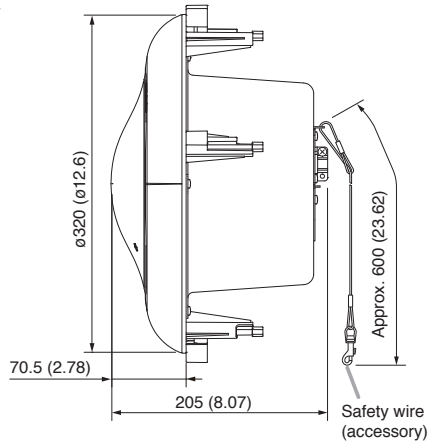
5. NOMENCLATURE AND DIMENSIONS

Unit: mm (inches)

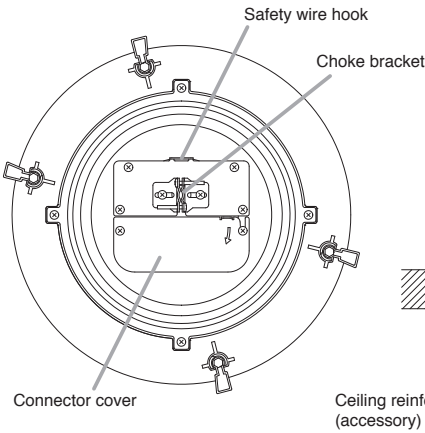
[Front]



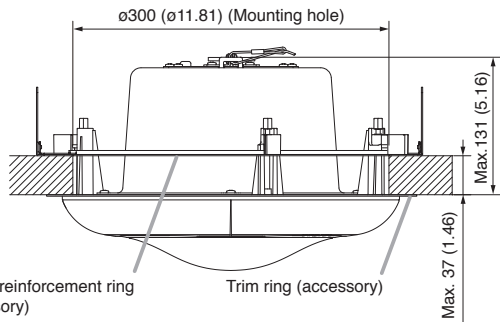
[Side]



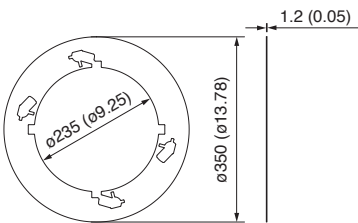
[Rear]



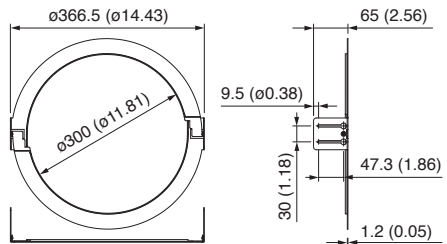
[Ceiling mounting]



[Trim ring (accessory)]



[Ceiling reinforcement ring (accessory)]

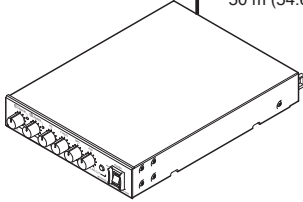


6. SYSTEM CONFIGURATION EXAMPLE

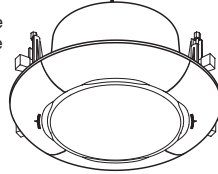
Category 5 cable (straight type)

Notes

- Use a Category 5 plenum cable (straight type) when routing the cable in locations where plenum-rated cable is required.
- Cross type cables cannot be used.
- The cable length must not exceed 50 m (54.68 yd).



IR-802T
Infrared Wireless Tuner



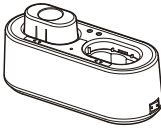
IR-820SP
Infrared Wireless Speaker



IR-200M
Infrared Wireless Microphone



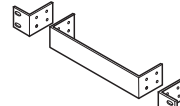
IR-300M
Infrared Wireless Microphone



IR-200BC
Battery Charger



IR-200BT-2
Ni-MH Battery
for Infrared wireless microphones
(pack of 2)



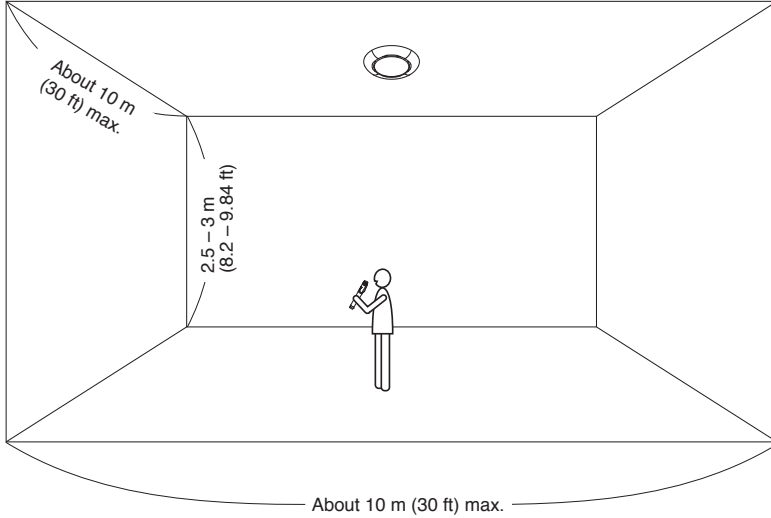
MB-15B-BK
Half Width Blank Panel

7. INSTALLATION PRECAUTIONS

Because the infrared wireless microphone and the IR-820SP have their own directivity for infrared transmission and reception, take care that they are installed and operated under stable communication conditions.

7.1. Installation Position

- Install the IR-820SP in the ceiling in the center of the room whose size should not exceed 10 m x 10 m (30 ft x 30 ft) with ceiling height of 2.5 – 3 m (8.2 – 9.84 ft) so that the Infrared wireless microphone can be used everywhere throughout the room.

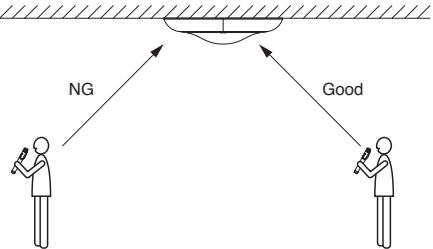


- The infrared beam can be blocked by a human body or other objects. To avoid this, install the IR-820SP in the way that it can be viewed from the infrared wireless microphone.

Note

In the figure at right, the microphone directly facing the IR-820SP can be used because no obstacle exists between them.

However, when a talker turns his or her back on the IR-820SP, signal reception from the microphone is interrupted because the human body acts as obstacle.



7.2. Distance Between the Infrared Wireless Microphone and IR-820SP

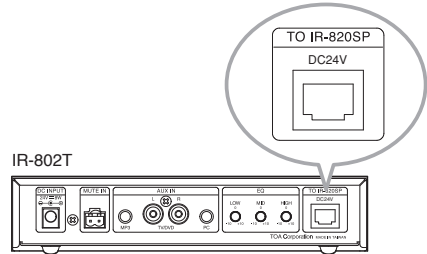
Malfunctions or noise could result from the infrared wireless microphone and the IR-820SP being too close to each other. Keep the infrared wireless microphone at least 2 m (6.56 ft) away from the IR-820SP.

7.3. Radio Noise

Do not install the IR-820SP and cable close to devices that can generate radio noise, such as: inverter-powered equipment (fluorescent lights, air-conditioners, etc.), dimmers, digital equipment, PCs and other computer equipment.

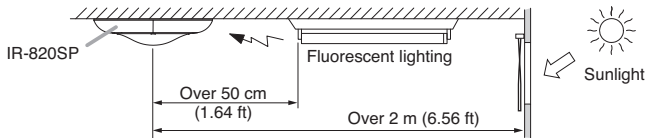
7.4. Connection to IR-802T

Be sure to connect the connection cable from the IR-820SP to the "TO IR-820SP" terminal on the IR-802T's rear panel. For further details of the connection, refer to Step 3 on p. 14 .



7.5. Sunlight and Fluorescent Lighting

System malfunctions or noise could result from installing the IR-820SP in locations exposed to sunlight, fluorescent lighting or other infrared generating sources. When installing the IR-820SP, make the following arrangements so that it is not exposed to infrared sources:



7.5.1. Avoid sunlight

- To prevent the IR-820SP from being directly exposed to sunlight, block the sunlight using curtains or window shades.
- When mounting the IR-820SP to a ceiling, keep it at least 2 m (6.56 ft) away from the window.

7.5.2. Install away from fluorescent lighting

When installing the IR-820SP, keep it at least 50 cm (1.64 ft) away from the fluorescent lighting.

7.5.3. Avoid installing close to other infrared sources shown below

- Lighting device
- Liquid crystal projectors, overhead projectors and incandescent lights
- Plasma displays
- Remote control units, infrared LAN and other infrared devices

8. MOUNTING HARDWARE INSTALLATION

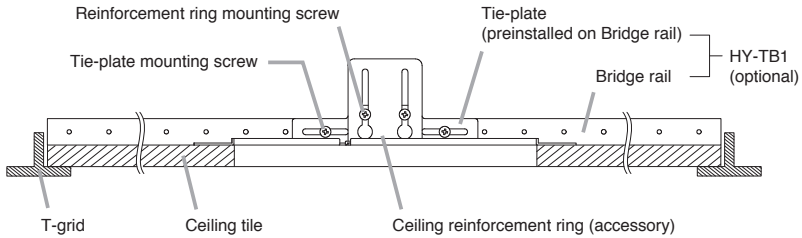
Before Installing the IR-820SP

Determine the most appropriate method for the ceiling structure. Be sure to use an optional HY-TB1 Tile Bar Bridge in combination with the supplied ceiling reinforcement ring.

[Installation view on Drop Ceilings]

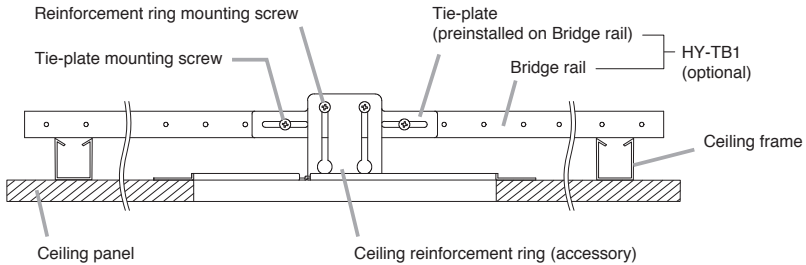
Because the bridge rails are 603 mm (23.74") in length, be sure to match them to the ceiling tile size during installation.

⚠ WARNING Set the bridge rails so that both ends fit securely into the T-grids, even if the ceiling tile accidentally falls off.



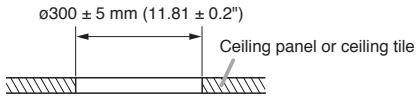
[Installation view on Dry Wall Ceilings]

⚠ WARNING Only install the Tile Bar Bridge on ceiling frames that can structurally support the weight of the speaker.



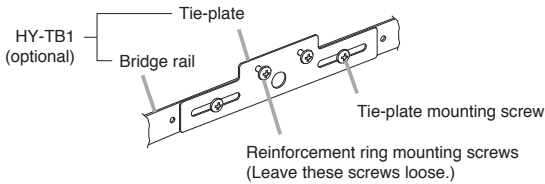
Step 1. Cut a $\phi 300$ mm (11.81") hole in the ceiling.

Use the supplied paper pattern to position and trace the hole.



Step 2. Install the HY-TB1 in the ceiling.

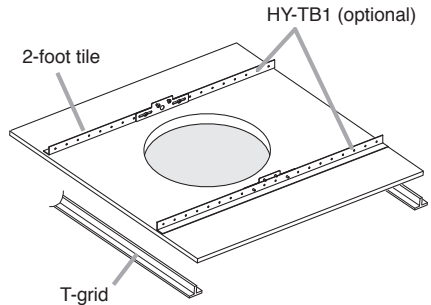
Loosen the two reinforcement ring mounting screws in each tie-plate to the point that they do not fall out of their holes.



[For Drop Ceiling]

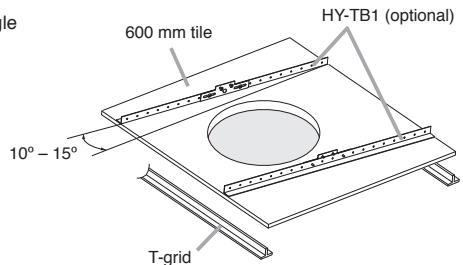
• Mounting to 2-foot tiles

Align the two bridge rails as shown in the figure at right.



• Mounting to 600 mm tiles

Align the two bridge rails diagonally at an angle of $10^\circ - 15^\circ$.

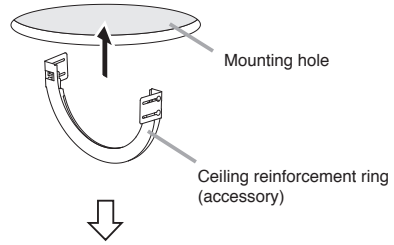


Step 3. Place the supplied reinforcement ring on the ceiling panel.

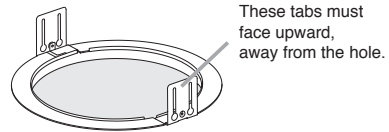
Fold the reinforcement ring in half* and insert it through the mounting hole in the ceiling panel.

* The reinforcement ring is too large to be inserted into the mounting hole unless folded.

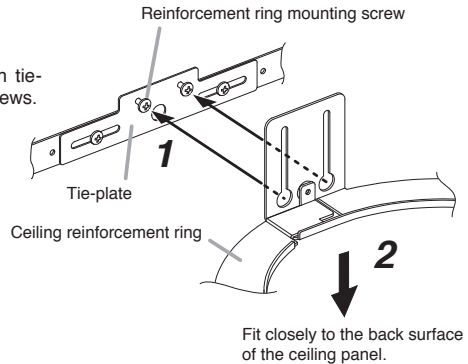
Then open it with its tabs facing up. Place the ring on the ceiling panel aligning it with the mounting hole.



Reinforcement ring placed on the ceiling panel



Step 4. Attach the ceiling reinforcement ring to each tie-plate using 2 reinforcement ring mounting screws.

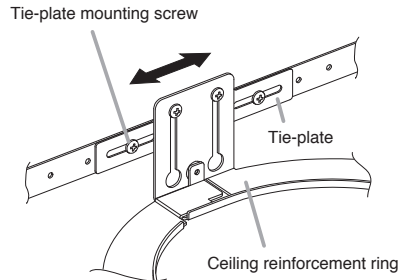


If the ceiling reinforcement ring does not line up accurately with the ceiling mounting hole, adjust its position by either loosening the tie-plate mounting screws and sliding the tie-plate into correct position, or by shifting the tie-plate mounting screws to the appropriate holes in the Tile Bridge rails.

The ceiling reinforcement ring can be moved in the direction indicated by the arrows.

Note

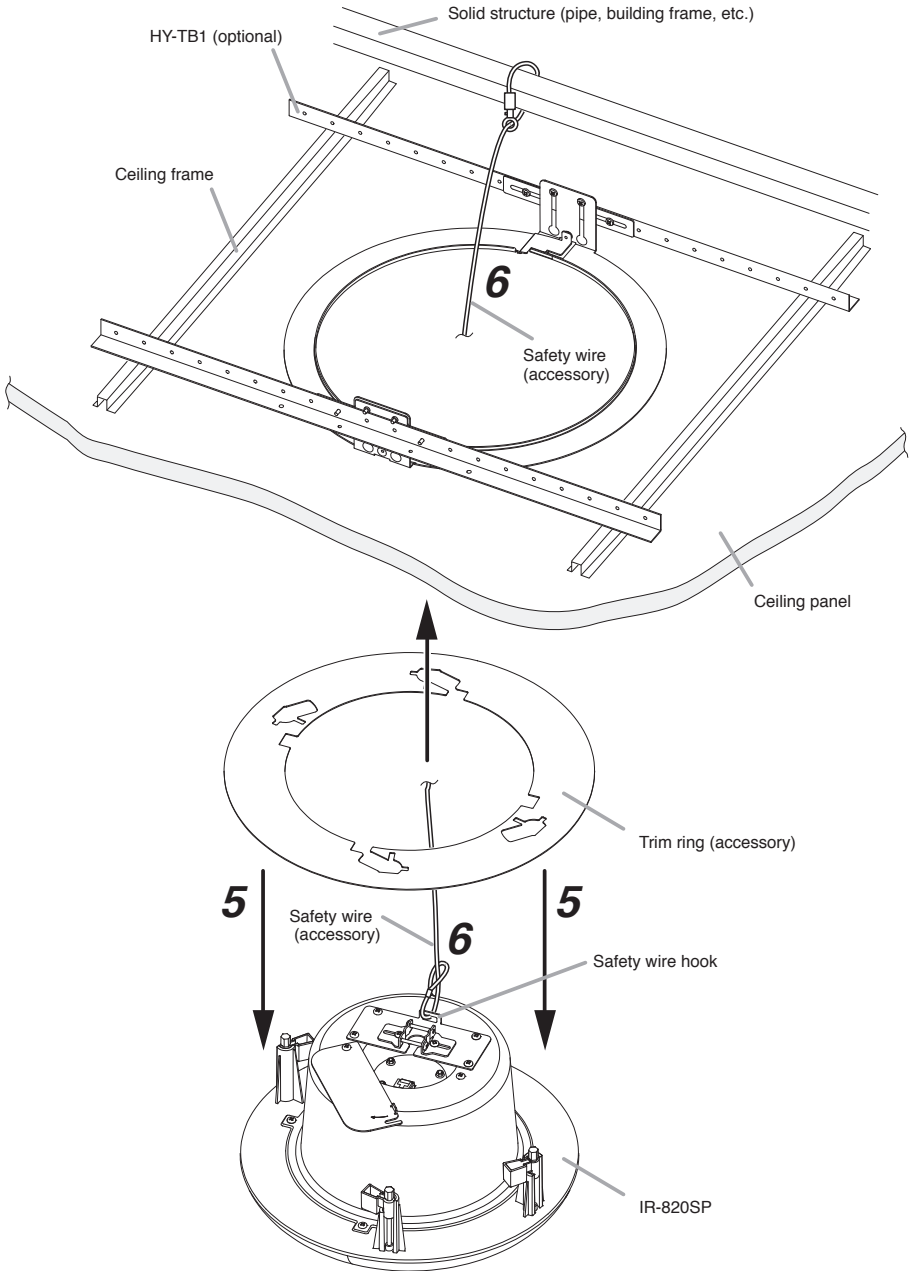
Be sure to tighten the tie-plate mounting screws after completing the adjustment.



Step 5. Attach the supplied trim ring to the IR-820SP.

Step 6. Attach the supplied safety wire to prevent the IR-820SP from accidentally falling.

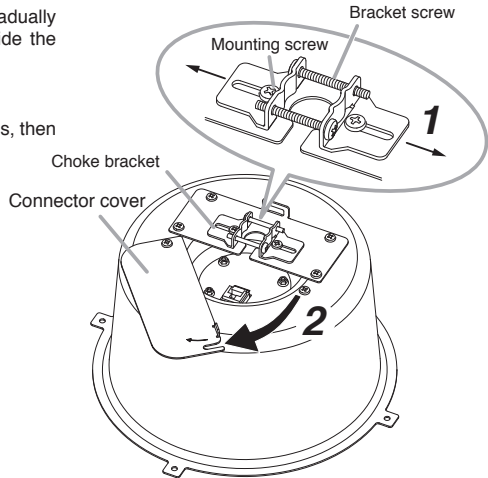
To attach, tie one end of the safety wire around the speaker's safety wire hook, and tie its snap ring around solid structure (pipe, building frame, etc.).



9. WIRING

Step 1. Loosen 2 mounting screws first, then gradually loosen 2 bracket screws alternately to slide the choke brackets outward.

Step 2. Loosen 2 connector cover mounting screws, then open the connector cover by sliding it.



Step 3. Run the speaker cable through the gap in the choke bracket, then connect its RJ-45 connector to the IR-802T connection terminal.

⚠ CAUTION

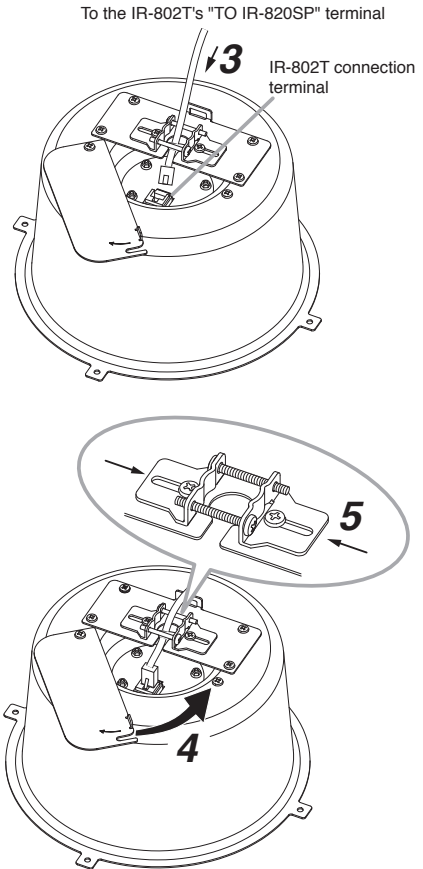
To avoid electric shocks, be sure to switch off the IR-802T Infrared Wireless Tuner's power when connecting the IR-820SP.

Notes

- Use a Category 5 plenum cable (straight type) when routing the cable in locations where plenum-rated cable is required.
- Cross type cables cannot be used.
- The cable length must not exceed 50 m (54.68 yd).
- Be sure to connect the connection cable from the IR-820SP to the "TO IR-820SP" terminal on the IR-802T's rear panel.
Never short-circuit the connector nor connect it to the LAN terminal of other device, as this could cause the unit failure.

Step 4. Close the connector cover by sliding it, then retighten the 2 loosened screws to secure it.

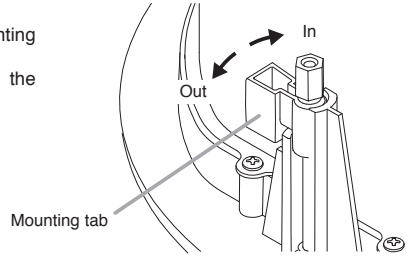
Step 5. Gradually tighten 2 bracket screws alternately to slide the choke brackets inward until the cable is clamped. Then, retighten the 2 loosened mounting screws.



10. SPEAKER INSTALLATION

Note

Before mounting, check to be sure that the IR-820SP's 4 mounting tabs are turned inside the unit as shown in the figure. If turned outward, the speaker cannot be inserted through the mounting hole.



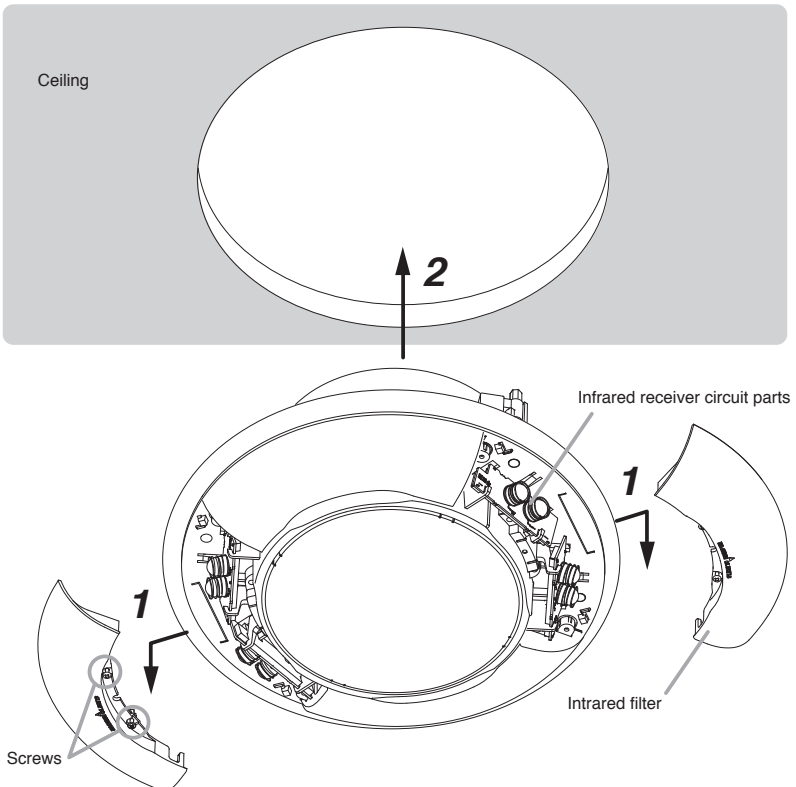
Step 1. Remove the 2 infrared filters.

Loosen 2 screws securing each infrared filter, then detach the filter by sliding it outward.

Notes

- Discharge static electricity on your body before starting this step.
- After detaching the infrared filters, you will find the infrared receiver circuit parts and wirings inside the unit. Never touch them.

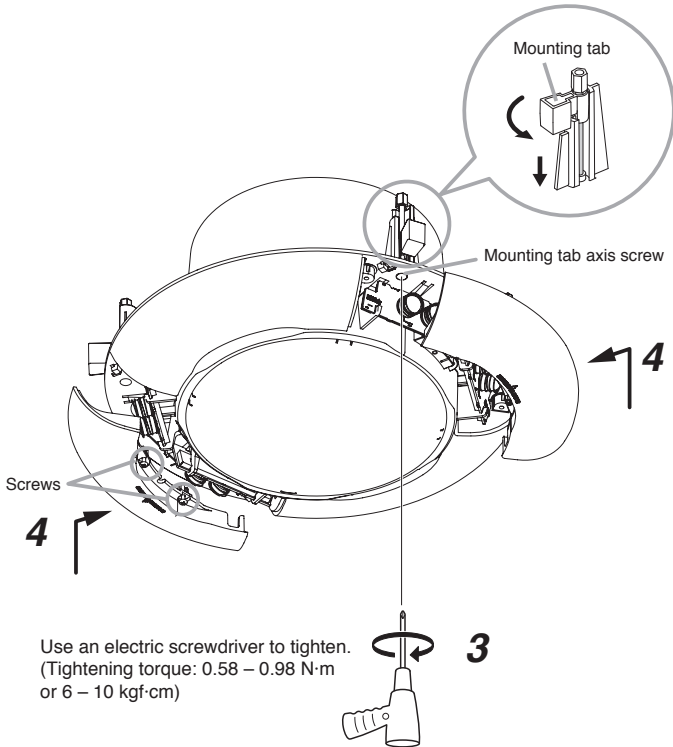
Step 2. Insert the IR-820SP through the mounting hole till it contacts the ceiling panel.



Step 3. Rotate and tighten the 4 mounting tab axis screws on the unit clockwise to their full stop in order to grip the ceiling panel with the mounting tabs.

Step 4. Replace the detached 2 infrared filters.

Replace each infrared filter by sliding it inward, then secure the filter with 2 screws.



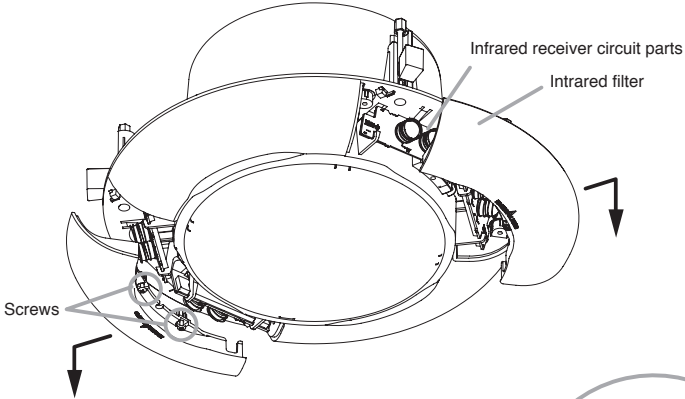
11. REMOVING THE IR-820SP FOR MAINTENANCE

Step 1. Remove the 2 infrared filters.

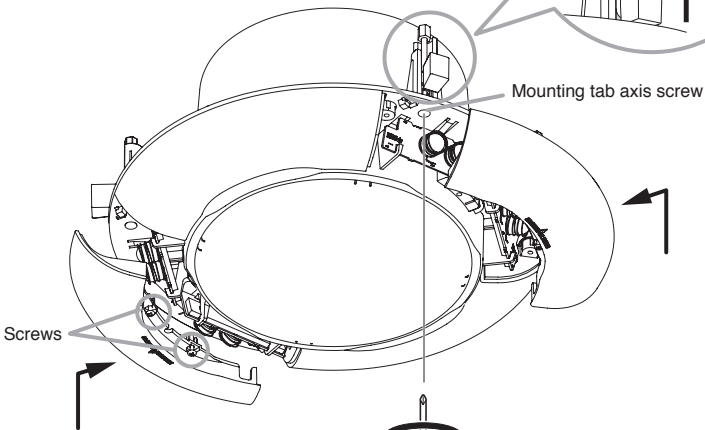
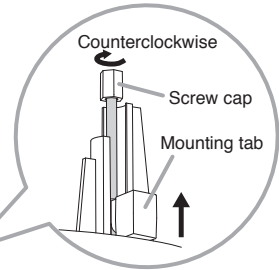
Loosen 2 screws securing each infrared filter, then detach the filter by sliding it outward.

Notes

- Discharge static electricity on your body before starting this step.
- After detaching the infrared filters, you will find the infrared receiver circuit parts and wirings inside the unit. Never touch them.



Step 2. Rotate the 4 mounting tab axis screws counterclockwise. The mounting tabs rise as the screws turn, allowing the speaker to be removed.



Notes

- When loosening the mounting tab axis screws, support the IR-820SP by hand to prevent it from falling.
- Be sure to set the screwdriver's torque for under 0.58 N·m (6 kgf·cm.) Failure to do so may cause the screw cap and the mounting tab to fall off on the rear of ceiling panel.



Use an electric screwdriver to detach.

12. INPUT OVERLOAD PROTECTION FUNCTION

The IR-820SP features an internal input overload protection circuitry. If an extremely high input level is fed to the unit, the protection circuitry automatically cuts off the signal to the speaker element.

Note

This protection circuitry does not completely protect the unit against extremely high input power levels. Depending on the type or duration of excessive power input, the protection circuitry might not operate, resulting in damage to the speaker element. Also, if an excessive power input continues for a long period of time, the circuitry may not be capable of resetting to its original condition. Use the system with care so that an excessive power input is not applied to the IR-820SP.

13. SAFETY AGENCY COMPLIANCE

This product is for indoor use only.

Products are suitable for use in general (non-fire alarm) signaling service in conjunction with compatible Listed audio equipment, the combination of which is intended to be installed in accordance with the applicable requirements of the National Electrical Code (NEC) and the local authority having jurisdiction. Fire Test for Heat and Visible Smoke Release for Discrete Products and their Accessories Installed in Air-Handling Spaces (1998) - NFPA 70 National Electrical Code (NEC) 2002, Article 300-22 (c) and NFPA 90A Installation of air-conditioning and ventilation systems, section 2-3.10.1 (a) exception 3.

14. TROUBLESHOOTING

Symptom	Cause and Points to Check	Remedy
The power indicator does not light when the power switch is turned on.	The connection cable to IR-802T is possibly failed.	Confirm correctness of the connection to IR-802T and connection cable. If faulty is found, connect correctly or replace the cable with appropriate one.
No sound outputs.	The connection cable to IR-802T is possibly failed.	Confirm correctness of the connection to IR-802T and connection cable. If faulty is found, connect correctly or replace the cable with appropriate one.
Noise or strange (i.e. muddy) sound is heard.	IR-820SP is installed in close proximity to a device generating radio noise or infrared light.	Set the speaker properly, referring to "7.5. Sunlight and Fluorescent Lighting" (Refer to p. 9) for the infrared wireless speaker.
Short transmission distance.	IR-820SP is not properly installed.	Install the infrared wireless speaker properly.
Acoustic feedback occurs.	The microphone head is covered with your hand(s).	Do not cover the microphone head with your hand(s).
	The IR-802T's MID level of the equalizer controls is set relatively high.	Decrease the MID level of the equalizer controls.

15. SPECIFICATIONS

Power Source	24 V DC (supplied from IR-802T)
Power Consumption	4.4 W (based on UL standard)
Rated Output	20 W
Frequency Response	100 Hz – 20 kHz (–10 dB) at installation in 1/2 free sound field (Measured by installing the unit in the center of a ceiling.)
Amplification System	Class D
Distortion	5% or less (rated output)
Speaker Component	12 cm (5") cone-type
Infrared Wireless Receiver	
Wavelength	870 nm
Carrier Frequency	Teacher (Channel A): 3.100 MHz Student (Channel B): 3.350 MHz
Reception Angle	360° (Horizontal)
Connection Terminal	RJ-45
LED Indicator	Power (green) x 1
UL Code	UL60065, UL2043
Mounting Hole	φ 300 mm (11.81")
Usable Cable	Category 5 UTP
Operating Temperature	–10 to 50 °C (14 to 122 °F)
Operating Humidity	90 %RH or less (no condensation)
Finish	Enclosure : Steel plate, plating Baffle : Fire-resistant ABS resin (resin material grade: UL-94 V-0), white Punched net : Steel plate, white Filter section : Polycarbonate, optical cut filter
Dimensions	φ320 x 205 (d) mm (φ12.6" x 8.07")
Weight	3.4 kg (7.5 lb)

* 0 dB = 1 V

Note: The design and specifications are subject to change without notice for improvement.

• Accessories

Safety wire (600 mm or 1.97 ft)	1
Ceiling reinforcement ring	1
Paper pattern	1
Trim ring	1

• Optional product

HY-TB1 Tile Bar Bridge: Use this bridge when mounting the speaker unit to drop ceiling or weak dry wall ceiling.

Traceability Information for Europe (EMC directive 2004/108/EC)

Manufacturer:

TOA Corporation
7-2-1, Minatojima-Nakamachi, Chuo-ku, Kobe, Hyogo,
Japan

Authorized representative:

TOA Electronics Europe GmbH
Suederstrasse 282, 20537 Hamburg,
Germany



TOA Corporation

URL: <http://www.toa.jp/>

133-07-312-00