

MULTIFUNCTIONAL MASTER STATION
STANDARD MASTER STATION
INDUSTRIAL-USE MASTER STATION

N-8000MS
N-8010MS
N-8020MS

These Master Stations are designed to connect to the IP Intercom Exchange, and provide hands-free conversation of high sound quality.

Using an optional YC-280 Wall Mounting Bracket, these stations can be mounted on a wall, or tilted for easy key operation when used on a desktop.

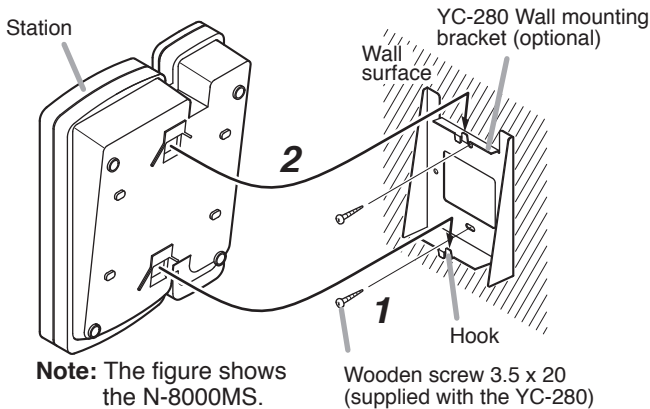
Warning

This is a class A product. In a domestic environment this product may cause radio interference in which case the user may be required to take adequate measures.

1. WALL MOUNTING

The station can be mounted on a wall using an optional YC-280 wall-mounting bracket. The YC-280 can be installed to JIS standard one gang switch box.

1.1. Mounting Example



Step 1. Install the YC-280 wall mounting bracket to the wall.

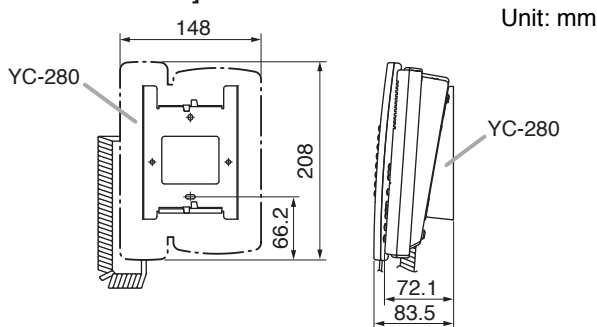
Notes

- Use the appropriate screws for the construction of wall.
- Wooden screws 3.5 x 20 are supplied with the YC-280.
- No fitting screws for switch box are supplied with. Use commercially available screws.

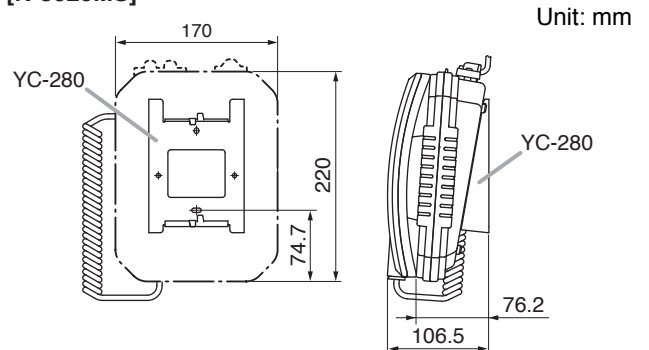
Step 2. Hang the station on the wall mounting bracket hook to install. Push down the station main body in the direction indicated by the arrow.

1.2. Installation Completion Drawing

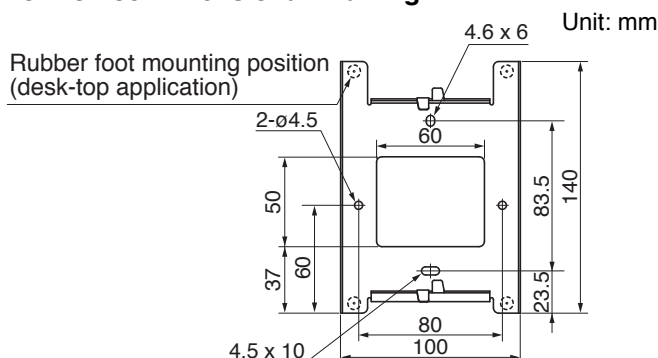
[N-8000MS/8010MS]



[N-8020MS]



1.3. YC-280 Dimensional Drawing

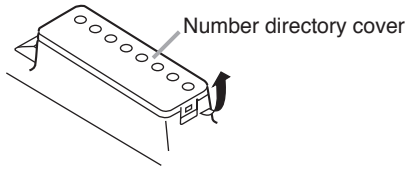


2. WALL MOUNTING

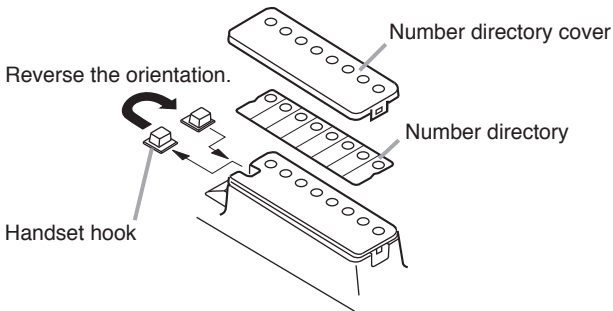
When mounting the station on a wall, the orientation of the handset hook needs to be changed.

2.1. N-8000MS or N-8010MS Station

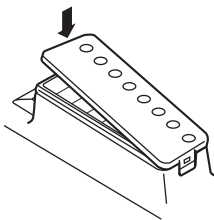
Step 1. Raise the number directory cover forward tab.



Step 2. Remove both the number directory cover and the directory. Remove the handset hook and reverse its orientation, then replace.

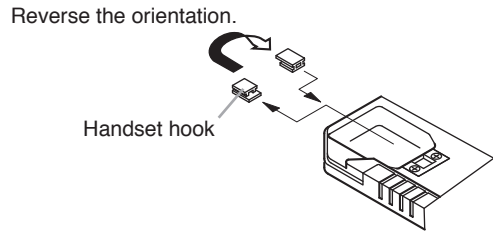


Step 3. After replacing the directory on the station, hook the directory cover's forward tab and push on the upper part of the directory cover.



2.2. N-8020MS Station

Remove the handset hook and reverse its orientation.

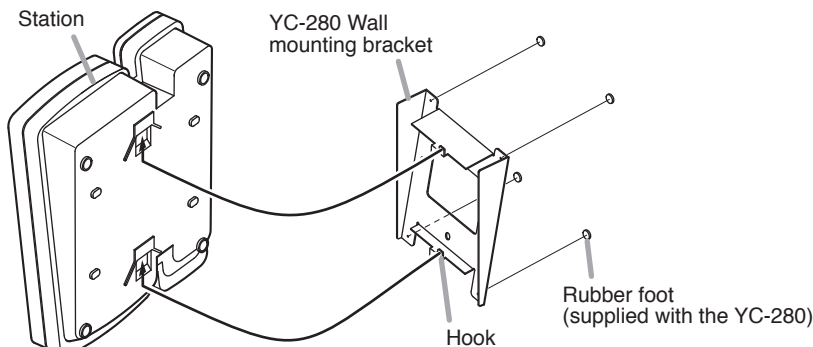


3. DESK-TOP INSTALLATION

In desktop installations, the front operation panel can be inclined 16° from the desk surface for easier operation by attaching the YC-280 Wall Mounting Bracket to its bottom surface.

3.1. Mounting Example

Hang the wall mounting bracket hook on the station's wall bracket mounting slot to install. Push up the Wall mounting bracket in the direction indicated by the arrow.

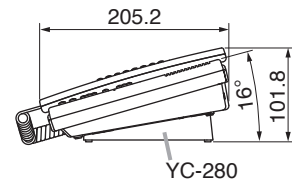


Note
The figure shows the N-8000MS.

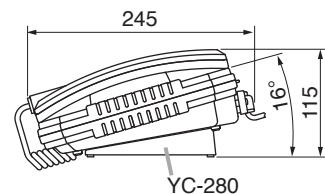
3.2. Installation Completion Drawing

[N-8000MS/8010MS]

Unit: mm

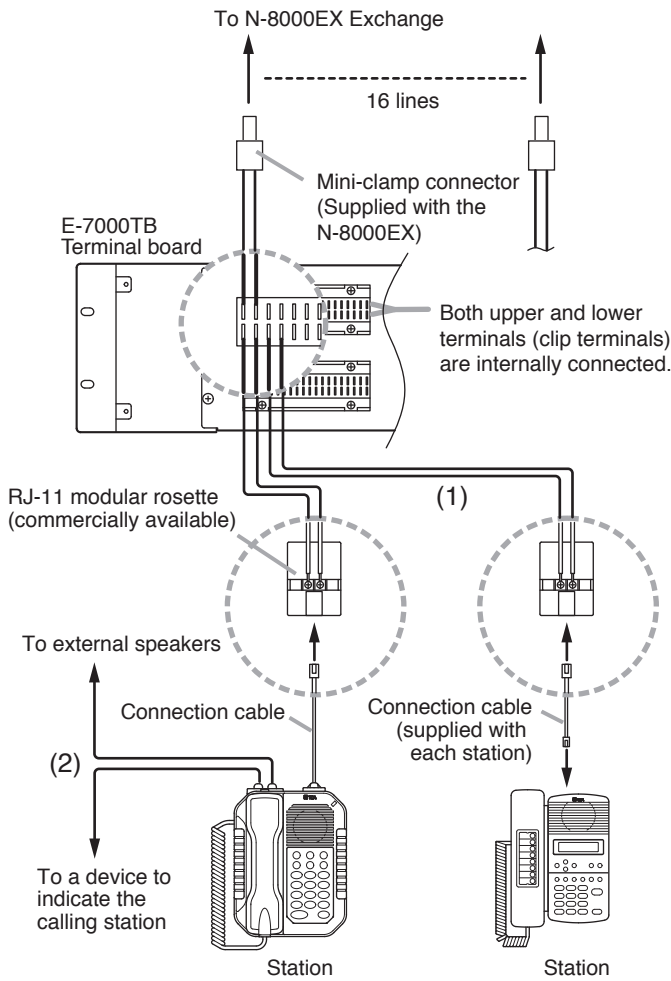


[N-8020MS]



4. WIRING

4.1. Connection Diagram



(1) Station connection

To connect the cables from the N-8000EX Exchange to the Master Station, use the connection cable* and a commercially available RJ-11 modular jack. These cables have no polarity.

* The connection cable is supplied with the station (N-8000MS/8010MS), while that of the N-8020MS directly attached to the unit.

(2) External speaker terminals and control output terminals connections

[N-8000MS]

These terminals are designed for exclusive connection with external speakers.

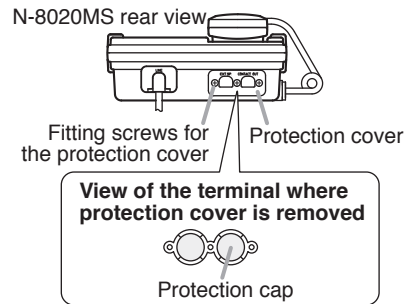
Press down the desired push-in terminal button on the rear panel with a tip of standard driver, and insert the cable securely.

[N-8020MS]

Follow the procedure below for external speaker terminals and control output terminals connections.

Step 1. Remove a protection cover.

Unscrew the 3 fitting screws securing the protection cover.

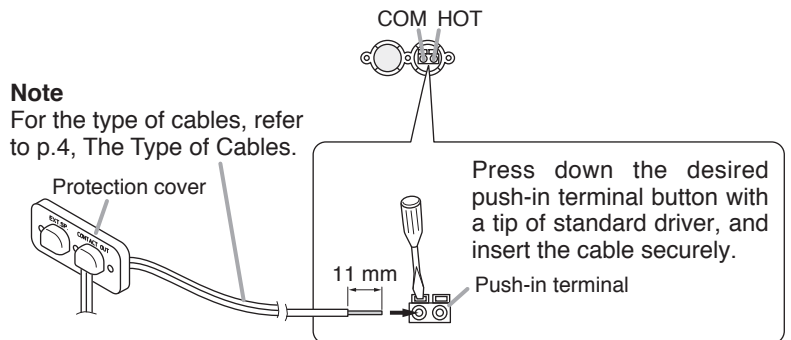


Step 2. Pull out a protection cap on the desired terminal.

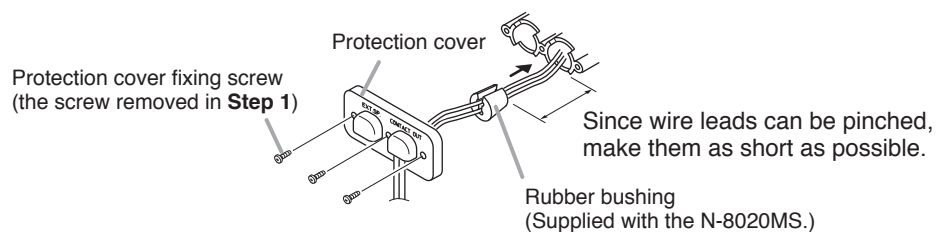
Note

Do not remove the protection cover on the unused terminal.

Step 3. Run the cable through the protection cover removed, and then connect it to the push-in terminal.



Step 4. After inserting the cables in the supplied rubber bushing, insert the bushing into the station, then put the protection cover back in place.



4.2. The Type of Cables

The types of cables are to be determined according to the following conditions.

- Twisted pair wires (such as those used for electronic push-button telephone) are to be used for wiring between the Exchange and the stations in principle.
- The number of cables pairs laid should be determined considering the possibility of future expansion of the system.
- Outdoor wires should be used where wiring passes through inaccessible areas such as ceilings or under floors where the maintenance is not performed. Indoor wires may also be used, however, in case where there is no risk of deterioration due to exposure to heat, etc.

Note

Specifications related to each junction are as follows.

Mini-clamp connector (N-8000EX line terminal)

Conductor diameter: \varnothing 0.4 – 0.65 mm (AWG22 – 26),
Solid wire

Outside diameter: \varnothing 1.05 mm or below

Clip terminal (E-7000TB)

Conductor diameter: \varnothing 0.4 – 0.8 mm (AWG20 – 26),
Solid wire

Outside diameter: \varnothing 1.5 mm or below

4.3. Relations Between Core Diameter of Cable and Maximum Cable Length

Referring to the following chart as guidelines, design the distance between the Exchange and stations so that loop resistance value becomes 170 Ω or less.

Conductor diameter (mm)	Loop resistance (Ω /km)	Maximum cable length between the Exchange and station (Assuming that the loop resistance is 170 Ω .)
\varnothing 0.4	295	570 m
\varnothing 0.5	187	900 m
\varnothing 0.65	113	1.5 km
\varnothing 0.9	58	2.9 km

4.4. Mini-Clamp Connector Connection

Mini-clamp connectors for line terminals are supplied with the N-8000EX Exchange.

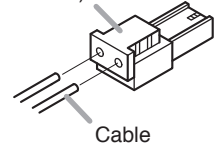
Connect the mini-clamp connector to a cable using a commercially available tool (pliers).

- Step 1.** Cut off two-cable ends in equal length, and insert them securely to a cover section (transparent side) of the mini-clamp connector.

Note

Insert the cable without stripping the cable jacket.

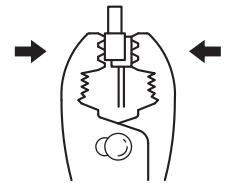
Cover (transparent side)



- Step 2.** With a pair of pliers, lightly pinch the mini-clamp cover and, after ensuring that the cable is securely inserted, firmly squeeze on the cover.

Note

Squeeze on the mini-clamp cover until it is correctly locked.



- Step 3.** Insert the wired connector (plug) into the exchange's connector (socket) until it locks into place.

