

IP DOOR STATION N-8640DS

1. SAFETY PRECAUTIONS

- Before installation or use, be sure to carefully read all the instructions in this section for correct and safe operation.
- Be sure to follow all the precautionary instructions in this section, which contain important warnings and/or cautions regarding safety.
- After reading, keep this manual handy for future reference.

CAUTION

Indicates a potentially hazardous situation which, if mishandled, could result in moderate or minor personal injury, and/or property damage.

- Use the dedicated AC adapter or its equivalent for the unit. Note that the use of other adapter may cause a fire.

2. GENERAL DESCRIPTION

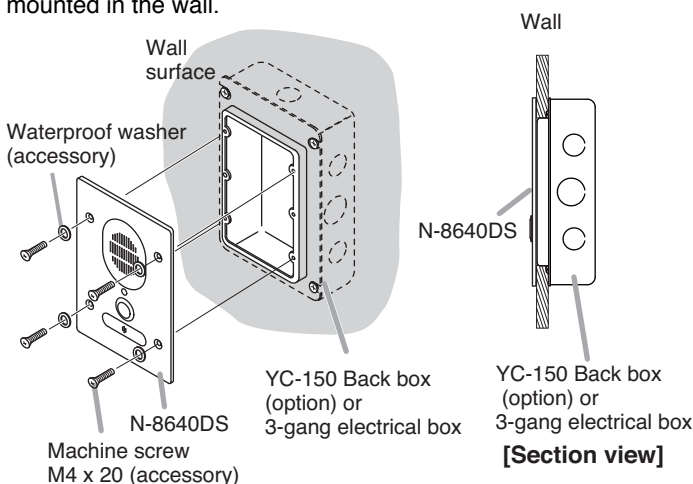
Designed to connect to the IP network, the N-8640DS is an indoor use door station featuring high quality hands-free conversation. It is equipped with 1 control input and 5 control outputs, allowing connections to a sensor, electronic lock, and other external equipment. The N-8640DS can be mounted either flush in a wall or on a wall by using the designated mounting box.

The N-8640DS is in full conformity with IP65 water-proof and dust-proof standards. The operating temperature range is -10 to +50°C.

3. WALL MOUNTING

3.1. In-Wall Mounting

Mount the N-8640DS to the YC-150 or electrical box mounted in the wall.



Note

The wall should be over 12 mm thick, and the opening in the wall for an electrical box should be under 115 mm (wide) by 162 mm (high).

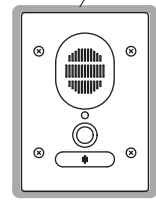
Accessory screws

The N-8640DS comes with 2 types of screws: machine screw M4 x 20 and UNC No.6 x 20. For the electrical box provided with unified threads, use the oval head combination screws UNC No.6 x 20.

Notes

- When controlling an electronic lock with the N-8640DS unit, use "Torx" screws to attach the unit at installation so that it cannot be detached easily.
- When installing the unit outdoors or at locations where it gets wet with water, tightly seal the panel edges. Besides, provide a weep hole at the underside of the mounting box to permit water to drain off.

Seal the panel edges.

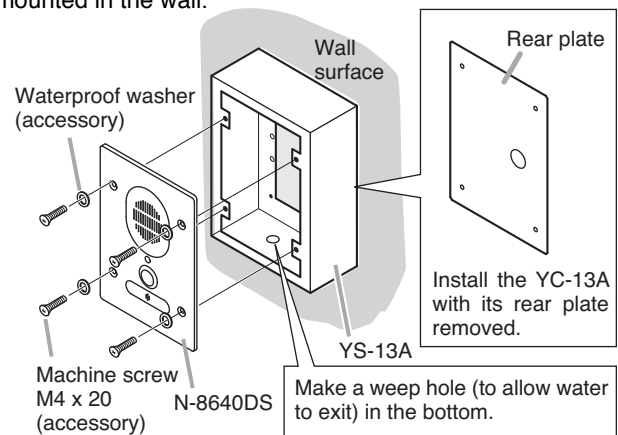


N-8640DS's front panel

Be sure to ground both the YC-150 or electrical box, and the frame ground terminal on the unit's rear. Doing otherwise may cause unit failure.

3.2. On-Wall Mounting

Mount the N-8640DS to the YS-13A Wall-mount box mounted in the wall.



Accessory screws

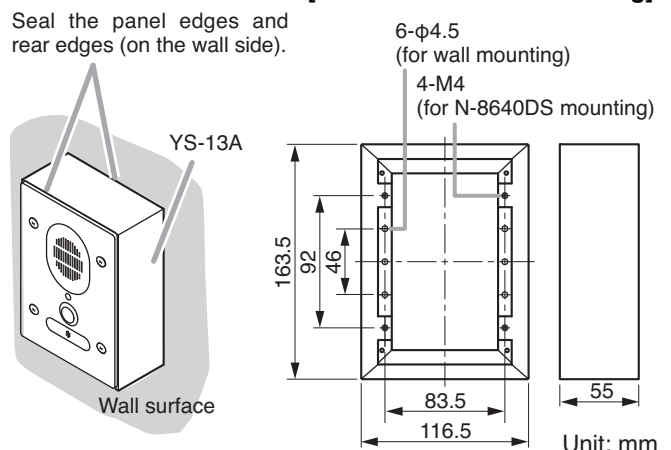
The N-8640DS comes with 2 types of screws: machine screw M4 x 20 and UNC No.6 x 20. Use the M4 x 20 screw.

Notes

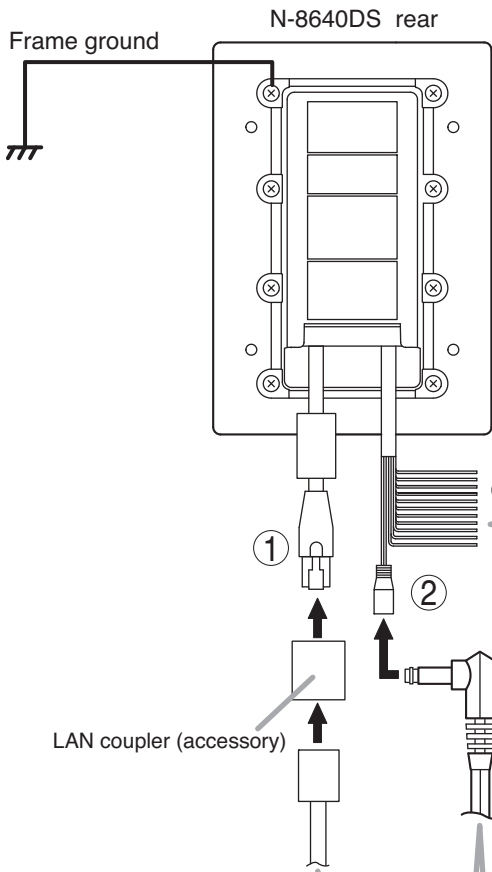
- When controlling an electronic lock with the N-8640DS unit, use "Torx" screws to attach the unit at installation so that it cannot be detached easily.
- When installing the unit outdoors or at locations where it gets wet with water, tightly seal the edges of the panel and those of the box's rear surface in contact with the wall surface. Besides, make a weep hole (to allow water to exit) in the YS-13A's bottom. (Refer to the figure shown below.)

Be sure to ground the frame ground terminal on the unit's rear. Doing otherwise may cause unit failure.

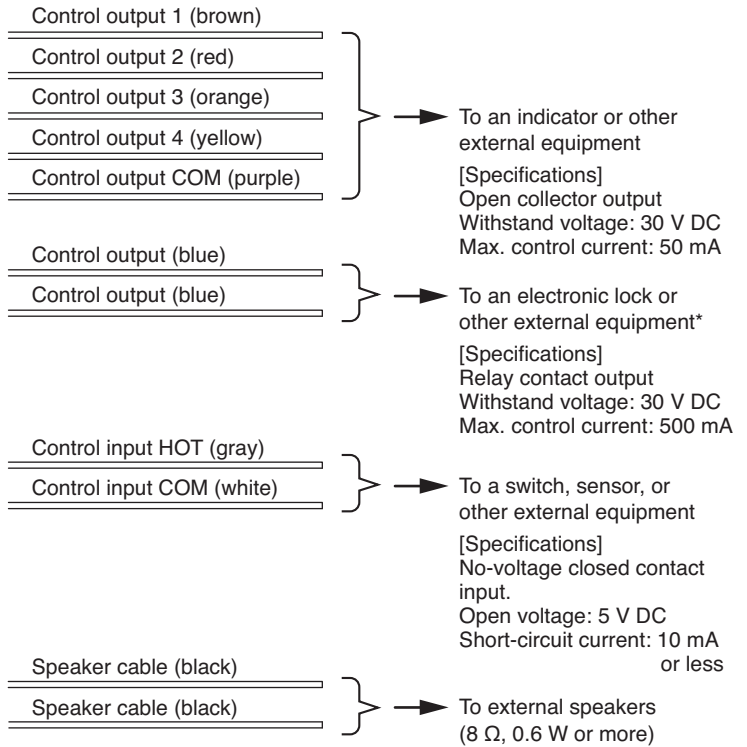
[YS-13A dimensional drawing]



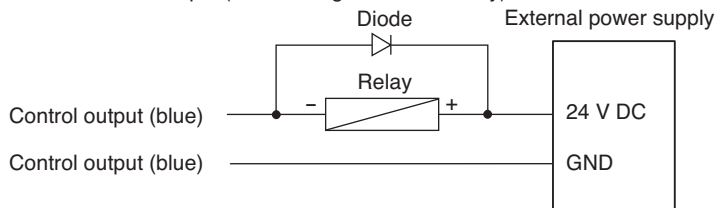
4. WIRING



③ Connection to an external equipment



* Connection example (When using a 24 V DC relay)



① Network connection

Can be connected to a network of 10BASE-T/100BASE-TX in auto-sensing. Use a UTP category 5 or more straight through cable with an RJ-45 connector for this connection.

② AC adapter connection

Connect the AC adapter*. Use the AD-1210P/1215P (option) or equivalent. As for the usable adapter, consult your TOA dealer.

• Power supply connection (① or ②)

The following 2 methods are available for supplying power to the station.

- From a DC 12 V AC adapter
- From an IEEE802.3af compliant PoE switching hub (For connection, refer to the instruction manual supplied with the switching hub.)

Warning

This is a class A product. In a domestic environment this product may cause radio interference in which case the user may be required to take adequate measures.

Traceability Information for Europe (EMC directive 2004/108/EC)

Manufacturer:
TOA Corporation
7-2-1, Minatojima Nakamachi, Chuo-ku, Kobe, Hyogo, Japan

Authorized representative:
TOA Electronics Europe GmbH
Suederstrasse 282, 20537 Hamburg, Germany

URL: <http://www.toa.jp/>