

## DESCRIPTION

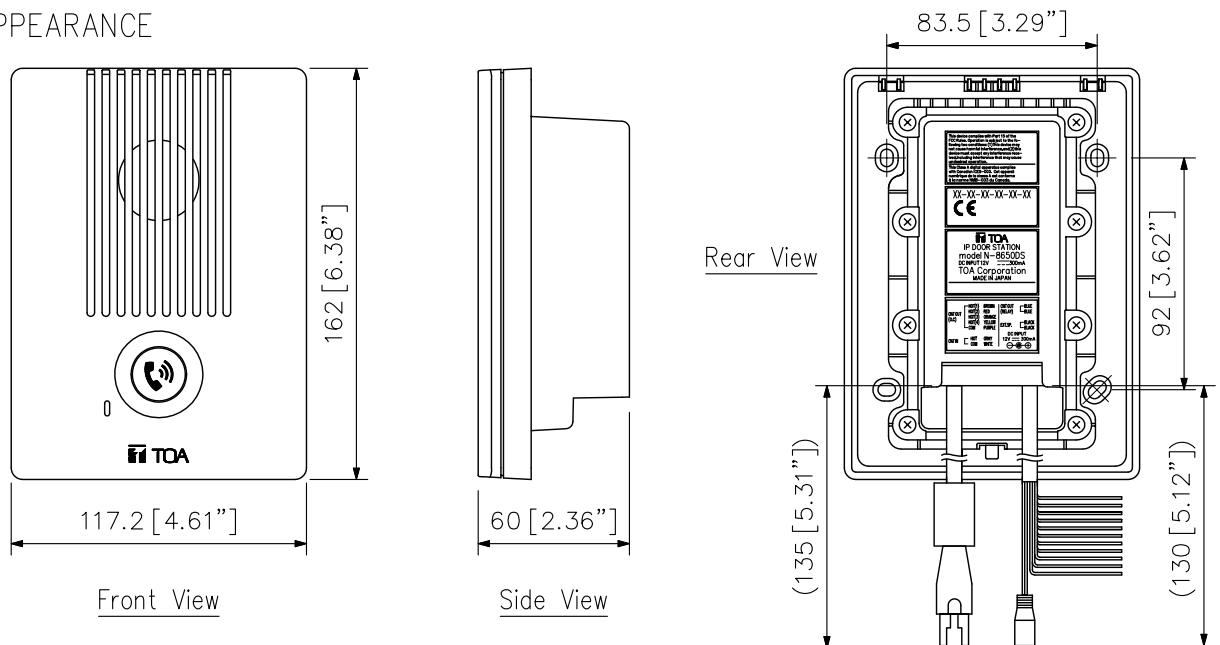
The N-8650DS is an indoor use IP door station employing packet audio technology. Connecting the N-8650DS to an IP network (LAN or WAN) permits hands-free conversation of high sound quality to be made between the N-8650DS and the intercom station connected to the IP Intercom Exchange, or between the N-8650DS and an IP multifunctional master station. Besides, the N-8650DS can be used in conjunction with the Multi Interface units through a network. The N-8650DS is equipped with 1 channel of control input, 5 channels of control outputs (including 1 channel of relay control output), and speaker output, thereby enabling connections of external equipment such as a sensor, indicator, and external speaker.

## SPECIFICATIONS

Power Source	Power supply device that complies with IEEE802.3af standard or 12 V DC (supplied from the AC adapter (option))
Power Consumption	Use of the AC adapter (12 V DC): 3.5 W (station only), Use of the PoE (48 V DC): 5 W
Speech Method	Hands-free conversation
Audio Frequency Range	300 Hz - 7 kHz
Hands-free	Speaker: 3.5 cm (1.38") cone-type, maximum output 0.5 W, 8 Ω Microphone: Omni-directional electret condenser microphone
Contact Input	1 channel, no-voltage make contact input, open circuit voltage: 5 V DC, short circuit current: 10 mA or less, unterminated ends
Contact output	Open collector output, 4 channels, withstand voltage: 30 V DC, control current: Max. 50 mA (4 output 1COMMON), unterminated ends Relay contact output, 1 channel, withstand voltage: 30 V DC, control current: Max. 500 mA, unterminated ends
External Speaker Terminal	Maximum output 0.5 W, 8 Ω, unterminated ends
Network Section	Network I/F: 10BASE-T/100BASE-TX (Automatic-Negotiation) Network protocol: TCP/IP, UDP, HTTP, RTP, ARP, ICMP, IGMP Audio packet transmission system: Unicast, Multicast Number of paging destinations: 0, *Reception only Connector: LAN: RJ45 connector (PoE compatible) Voice sampling frequency: 16 kHz, 8 kHz (controllable on the software) Quantifying bit number: 16-bit Voice encoding method: Sub-band ADPCM, Cryptosystem Voice packet loss recovery: Silence insertion Audio delay time: 80 ms, 320 ms (controllable on the software)
Indication	Status lamp (built in the Call button)
Installation Method	Flush-mount/Surface-mount
Operating Temperature	-10 °C to +50 °C (14 °F to 122 °F)
Operating Humidity	90 %RH or less (no condensation)
Finish	ABS resin, dark gray
Dimensions	117.2 (W) × 162 (H) × 60 (D) mm (4.61" × 6.38" × 2.36")
Weight	400 g (0.88 lb)
Accessory	Box mounting screw (No.6-32UNC × 20) ...4, Box mounting screw (M4 × 20) ...4, LAN coupler ...1
Option	AC adapter: AD-1210P, AD-1215P
Applicable Box	For wall mount: Wall-mount Box YS-13A (option) For flush mount: 3-gang electrical box or Back Box YC-150 (option)

\* An AC adapter, when used as power source, cannot be put in the YS-13A, YC-150, or a 3-gang electrical box together with the N-8650DS because such boxes do not have enough room to accommodate both.

## APPEARANCE



UNIT:mm SCALE:1/3

Note: Numerical values in parentheses are for reference only.