

■DESCRIPTION

The NF-2S Window Intercom System is designed to relieve problems in understanding face-to-face conversations through a partition or face masks. It is consisting one Base Unit and two Sub-Units. The Sub-Unit is compact, lightweight and built in magnet which allows to be easily attach to both sides of partition or the like.

The NF-2S features simultaneous 2-way conversation capability and noise cancellation circuitry, and also supports the use of headsets (\*1), making it ideal for use in a wide range of locations. The system also provides smooth conversation with natural sound quality covering a wide voice band.

(\*1) Headsets must be prepared separately, as they are not supplied. Please note that before using headsets, a DIP switch setting must first be changed. For details, please refer to the instruction manual.

■SPECIFICATIONS

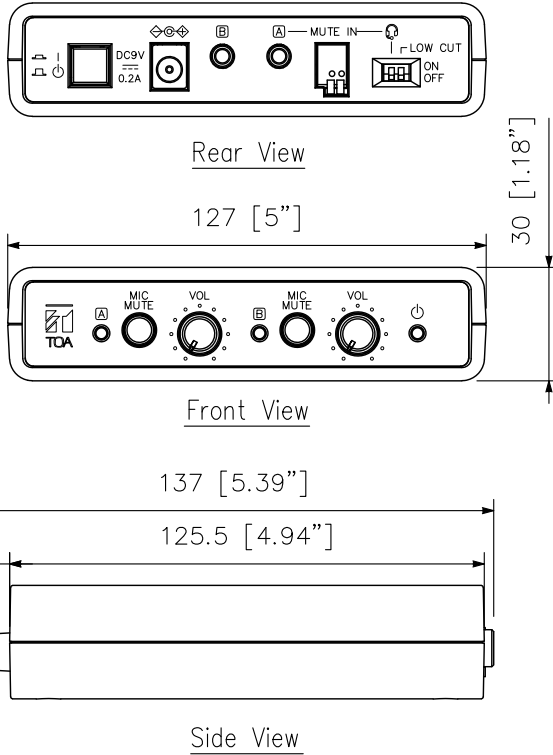
Power Source	100 - 240 V AC, 50/60 Hz (use of the supplied AC adapter)
Rated Output	1.7 W
Current Consumption	0.2 A
Signal to Noise Ratio	73 dB or more (volume: min.) 70 dB or more (volume: max.)
Mic Input	-30 dB (*2) $\phi$ 3.5 mm mini jack (4P), phantom power supply
Speaker Output	16 $\Omega$ $\phi$ 3.5 mm mini jack (4P)
Control Input	External mute input: No-voltage make contact inputs, open voltage: 9 V DC or less, short-circuit current: 5 mA or less , push-in terminal block (2 pins)
Indicators	Power indicator LED, Signal indicator LED
Operating Temperature	0 °C to +40 °C (32 °F to 104 °F)
Operating Humidity	85 %RH or less (no condensation)
Finish	Base Unit: Case: ABS resin, white, paint Panel: ABS resin, black, paint Sub-Unit: ABS resin, white, paint
Dimensions	Base Unit: 127 (W) × 30 (H) × 137 (D) mm (5" × 1.18" × 5.39") Sub-Unit: 60 (W) × 60 (H) × 22.5 (D) mm (2.36" × 2.36" × 0.89")
Weight	Base Unit: 225 g (0.5 lb) Sub-Unit: 65 g (0.14 lb) (per piece)
Accessory	AC adapter (*3) ---1 , Power cord (1.8 m (5.91 ft)) (*3) ---1, Dedicated cable (4 pins, 2 m (6.56 ft)) ---2, Metal plate ---2, Rubber foot for Base Unit ---4, Mounting base ---4, Zip tie ---4
Option	Expansion set: NF-CS1 5M extension cable: YR-NF5S

(\*2) 0 dB = 1 V

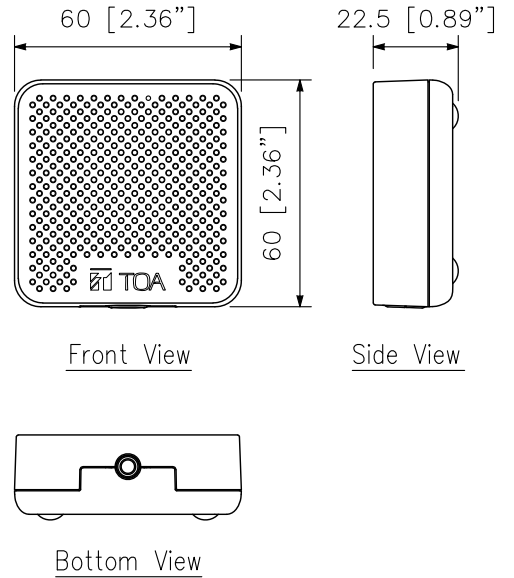
(\*3) No AC adapter and Power cord are supplied with the version W. For usable AC adapter and Power cord, consult your nearest TOA dealer.

■ APPEARANCE

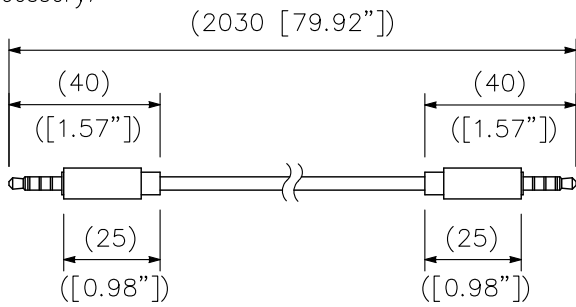
Base Unit



Sub-Unit



Dedicated cable  
 (Accessory)



Version	1CE	3CU	4CE	5TW	6CC
AC plug					