

The PC-1860AB-EB is certified according to the European Standard EN54-24:2008. DoP number is 23-102

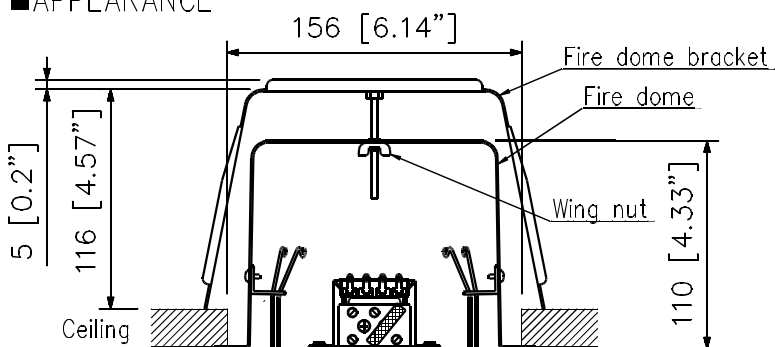
DESCRIPTION

Integrated with two speaker units and a fire dome, the PC-1860AB-EB Ceiling Mount Speakers is of metallic construction and ideal for use in a voice alarm system. The spring catch mechanism allows easy speaker mounting to the ceiling. The input impedance can be easily selected by changing the tap position of the transformer. The screw terminal (stearite) makes input cable connections easy and allows bridge wiring.

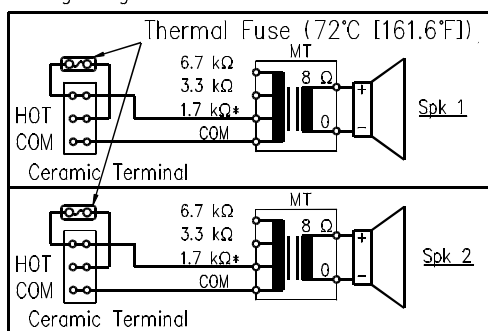
SPECIFICATIONS

Rated Input	2x 6 W (100 V line)
Rated Impedance	100 V line: 1.7 kΩ (6 W), 3.3 kΩ (3 W), 6.7 kΩ (1.5 W)
Sensitivity (SPL)	92 dB (2x 0.5 W, 1 m) (500 Hz - 5 kHz, pink noise)
Max. SPL	102 dB (2x 6 W, 1 m) (500 Hz - 5 kHz, pink noise)
Sensitivity EN54-24	76 dB (2x 0.5 W, 4 m) (100 Hz - 10 kHz, pink noise)
Max. SPL EN54-24	86.9 dB (2x 6 W, 4 m) (100 Hz - 10 kHz, pink noise)
Frequency Response	150 Hz - 20 kHz (peak -20 dB)
Coverage Angle (-6 dB)	Horizontal: 180° (500 Hz), 165° (1 kHz), 115° (2 kHz), 40° (4 kHz) Vertical : 180° (500 Hz), 170° (1 kHz), 160° (2 kHz), 130° (4 kHz)
Environmental type	A (indoor applications), IP21C
Speaker Component	2x 8 cm (3") cone-type
Operating Temperature	-10 °C to +55 °C (14 °F to 122 °F)
Dimensions for Fixing Hole	φ156±3 mm (6.14"±0.12") Max. ceiling thickness: 30 mm (1.18")
Speaker Mounting Method	Spring catch
Applicable Cable size	Outer diameter : φ6.5 - φ12.5 mm. Conductor : Solid wire or 7-core wire No bridge connection : 0.8 - 10 mm ² (AWG18 - AWG7) for solid wire 0.8 - 8 mm ² (AWG18 - AWG8) for 7-core wire Bridge connection : 0.8 - 2.5 mm ² (AWG18 - AWG13) for solid wire 0.8 - 1.5 mm ² (AWG18 - AWG15) for 7-core wire
Connection	2x 3-pins Screw terminal (ceramic)
Finish	Frame: Steel plate, white (RAL 9016 equivalent), paint Grille: Steel net, white (RAL 9016 equivalent), paint Fire dome: Steel plate, black, paint
Dimensions	φ180 × 8 (exposed section) + 110 (D) mm (φ7.09" × 0.31" + 4.33")
Weight	1.87 kg (4.13 lb)
Accessory	Rubber grommet --2, Paper pattern --1

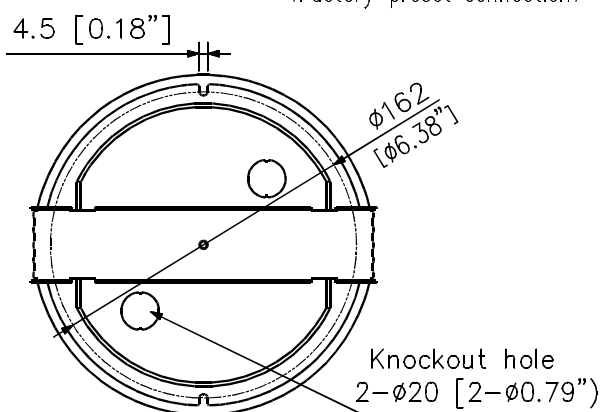
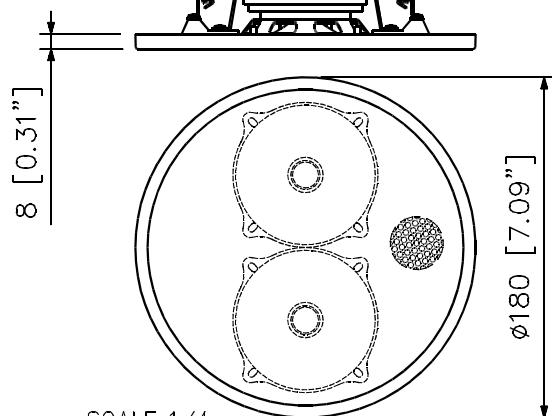
APPEARANCE



Wiring diagram



* (Factory-preset connection)



UNIT: mm SCALE: 1/4