

TOA CEILING MOUNT SPEAKER 6INCH 6W PC-2360EN-FTQ

The PC-2360EN-FTQ is certified according to the European Standard EN 54-24: 2008, DoP number is xx-xxx.

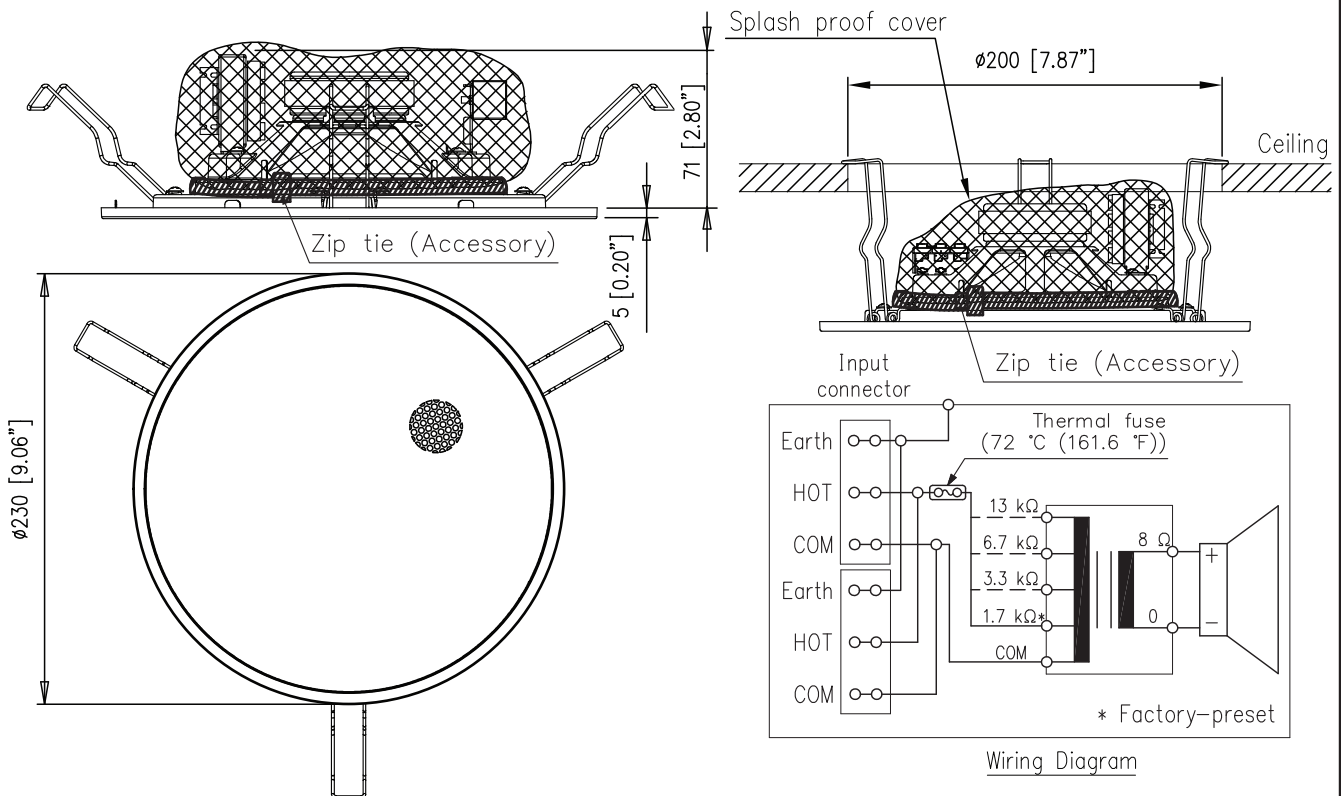
DESCRIPTION

The PC-2360EN-FTQ is the voice alarm certification product. The PC-2360EN-FTQ is suitable for announcement and BGM system use in high quality sound cone speaker. Speaker design that harmonize with the venue's architecture and decor. Thin panel does not clash with interior design.

SPECIFICATIONS

Rated Input	6 W (100 V line), 3 W (70 V line)
Rated Impedance	100 V line: 1.7 k Ω (6 W), 3.3 k Ω (3 W), 6.7 k Ω (1.5 W), 13 k Ω (0.8 W) 70 V line: 1.7 k Ω (3 W), 3.3 k Ω (1.5 W), 6.7 k Ω (0.8 W), 13 k Ω (0.4 W)
Sensitivity	94 dB (1 W, 1 m) (500 Hz - 5 kHz, pink noise) 92 dB (1 W, 1 m) (100 Hz - 10 kHz, pink noise) 80 dB (1 W, 4 m) (100 Hz - 10 kHz, pink noise)
Maximum Sound Pressure Level	99 dB (6 W, 1 m) (100 Hz - 10 kHz, pink noise) 87 dB (6 W, 4 m) (100 Hz - 10 kHz, pink noise)
Frequency Response	60 Hz - 20 kHz (peak -20 dB)
Coverage Angle (-6 dB)	Horizontal and Vertical: 160° (500 Hz), 170° (1 kHz), 160° (2 kHz), 60° (4 kHz) according to EN 54-24
Environmental type	A (indoor applications)
Speaker Component	16 cm (6") cone-type
Operating Temperature	-10 °C to +50 °C (14 °F to 122 °F)
Dimensions for Fixing Hole	Mounting hole: $\phi 200 \pm 3$ mm (7.87" \pm 0.12") Ceiling thickness: 5 - 25 mm (0.2" - 0.98")
Speaker Mounting Method	Spring clamp
Applicable Cable	Solid wire: 0.8 - 6 mm ² (AWG 18 - 10)
Connection	2-Steatite connector (3 pole)
Finish	Frame: Steel plate, white (RAL 9016 equivalent), paint Grille: Steel net, white (RAL 9016 equivalent), paint
Dimensions	$\phi 230 \times 76$ (D) mm (9.06" \times 2.99")
Weight	800 g (1.76 lb)
Accessory	Paper pattern *1, Zip tie *3

APPEARANCE



UNIT : mm [in] SCALE : 1/4

[Note] Use transformer terminals when changing input impedance.