

The PE-64 is a pendant speaker designed for ceiling suspension installations. Considered in architectural design, it can blend in with lighting equipment. A directly-attached 5 m (16.4 ft) cable allows the speaker to be suspended from the high ceiling. The PE-64 is driven on high-impedance (100 V and 70 V) line. The input power (impedance) can be easily changed at the upper side of the speaker. The speaker is easy to repaint so as to meet a wide range of design needs.

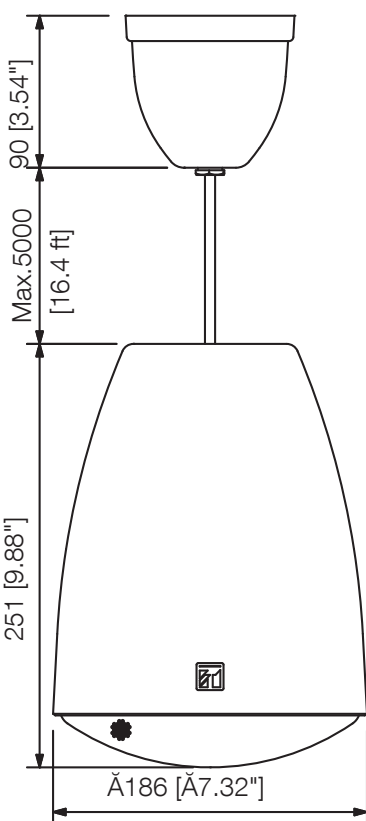
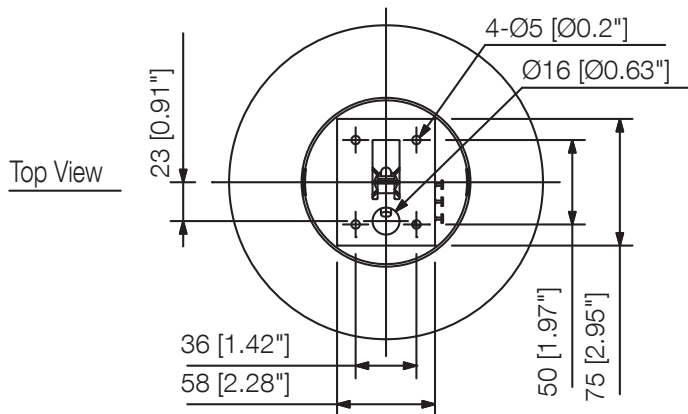


Article number: PE-64  
Alternative products: PE-304

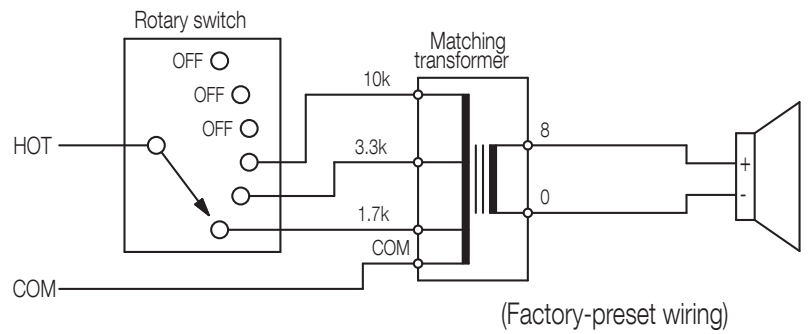
#### Specifications

Dimensions (W x H x D)	x 251
Dimensions (ø x D)	186
Finish	HIPS resin, off-white (RAL 9010 or equivalent),

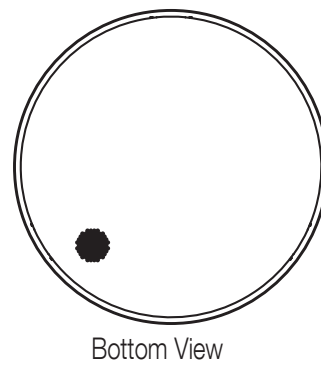
### Appearance



Front View



Wiring Diagram



UNIT:mm

SCALE:1/5