

RM-9012C

Remote Microphone




Artikelnummer:RM-9012C-EB

Specifications

Steuerung	12 Zonenwahl-Tasten, All-Call Taste, Löschtaste, Sprech-Taste
Spannungsversorgung	24 V DC (19 V – 29 V DC) von Netzgerät
Frequenzbereich	100 Hz - 20 kHz
Spannungsversorgung	24 V DC (19 V – 29 V DC) von Netzgerät
Steuerung	12 Zonenwahl-Tasten, All-Call Taste, Löschtaste, Sprech-Taste
Frequenzbereich	100 Hz - 20 kHz
Mikrofontyp	Elektret-Kondensator
Richtcharakteristik	Unidirektional
Ausführung	ABS-Kunststoff, schwarz,

Appearance



Remote Microphone with Chime **RM-9012C-EB**

■ GENERAL DESCRIPTION:

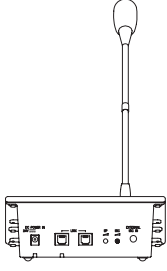
RM-9012C-EB is a remote microphone used in conjunction with 9000M2 series mixer amplifiers or other paging equipment.
 Output is upto 12 contact closures together with balanced audio signal in order to initiate / terminate the paging.
 This unit requires DC 24V power supply (AC Adaptor, AD-246 or equivalent).

■ SPECIFICATIONS: (*1) 0dB = 1 V

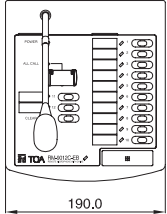
Power Source	24 V DC (Operating range:19V - 29V DC) Supplied from AC adaptor AD-246 or the equivalent
Power Consumption	80mA or less
Audio Output	0 dB(*1), 600Ω, transformer balanced, RJ45 connector
Distortion	1% or less
Frequency Response	100 - 20,000Hz
S/N Ratio	60dB or more
Microphone	Unidirectional electret condenser microphone
Control Output	12 channels, open collector output, withstand voltage: 27V DC, control current: max. 50 mA, (2) RJ45 connectors
Chime	1-tone chime, chime function with swich setting
Number of Keys	12 zone selection keys, All call key, Cancel key, Talk key
Volume Control	Microphone volume control
Operating Temperature	-10°C to +40°C (14°F to 104°F)
Finish	ABS resin, Black
Dimensions	190(W) X 76.5(H) X 215(D) mm (Gooseneck microphone excluded)
Weight	750g
Option	AC Adaptor: AD-246

■ APPEARANCE

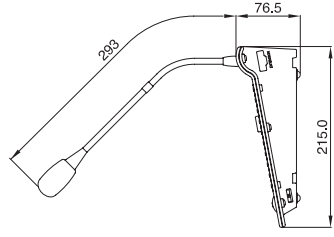
Real View



Top View



Side View



UNIT: mm