

# REMOTE MICROPHONE WITH CHIME

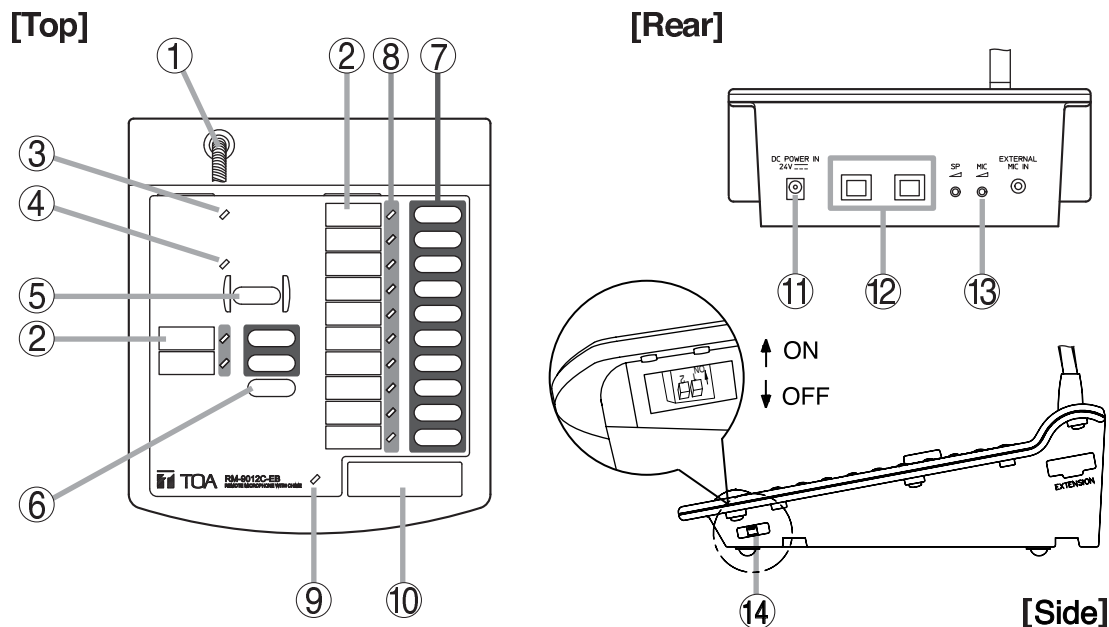
## RM-9012C-EB

### 1. GENERAL DESCRIPTION

RM-9012C-EB is a remote microphone used in conjunction with 9000M2 series digital matrix mixer or other paging equipment like NX-100(S), N-8000AF(MI) etc. Output is upto 12 contact closures together with balanced audio signal in order to initiate/terminate the paging.

This unit requires DC 24V power supply (AC Adaptor, AD-246 or equivalent).

### 2. NOMENCLATURE AND FUNCTIONS



#### 1. Gooseneck microphone

A unidirectional microphone.

#### 2. Name labels

Insert the label (not thicker than 0.2 mm) indicating the name of each zone. (See the back)

#### 3. Power indicator (POWER)

Lights green when the power is supplied to the unit from AC Adaptor. (AD-246 or equivalent)

#### 4. All call indicator (ALL CALL)

Lights green all zones are selected.

#### 5. All call key

Press this switch to select all 12 zones.

#### 6. Cancel key

Press this key to disable all zone selections.

#### 7. Zone selector key (ZONE 1-10 & 11-12)

Selects the disired zones.

#### 8. Zone indicator (ZONE 1-10 & 11-12)

Lights green when the corresponding zone is selected.

#### 9. In-use indicator

Lights green when the RM-9012C-EB is in use. (outputs)

#### 10. Talk key (TALK)

It is a press-to-talk key. Announcements and contact closure outputs can be made from this unit while the key is pressed, and are terminated when released.

#### 11. DC power input jack (DC POWER IN)

A jack with non-polarity. Connect the 24-V DC power. (AC adapter, AD-246 or equivalent)

### 12. Audio and contact connectors

Two female RJ45 connectors. Connect with audio input and contact closure input terminals using the cable of Category 5 straight type. (CAT5)

### 13. Microphone volume control (MIC)

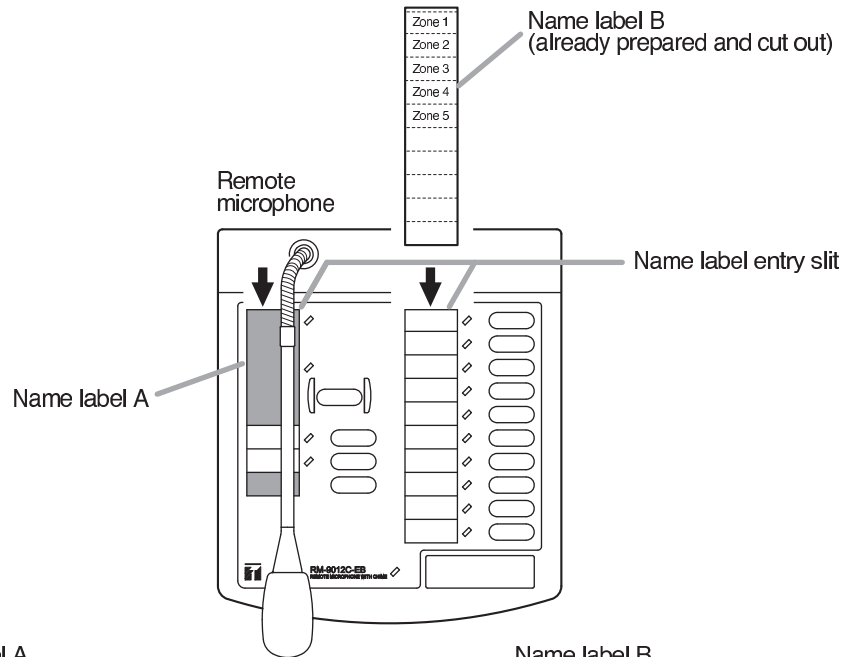
Adjusts the volume of the unit's gooseneck microphone.

### 14. Chime function setting switch(one-tone chime)

Switch NO.		Function	
1	2		
OFF	OFF	Chime : OFF	
ON	OFF	Chime volume	Low
OFF	ON		Normal
ON	ON		Max

Note: The factory setting has been set to ON (switch 1, 2)

## 3. NAME LABEL TEMPLATES



Name label A  
Cutting size : 30 × 110 mm

Name label B  
Cutting size : 30 × 136 mm

