

# SWITCH PANELS OPTION HANDSET

# RS-140, RS-143, RS-144 RS-141

## 1. GENERAL DESCRIPTION

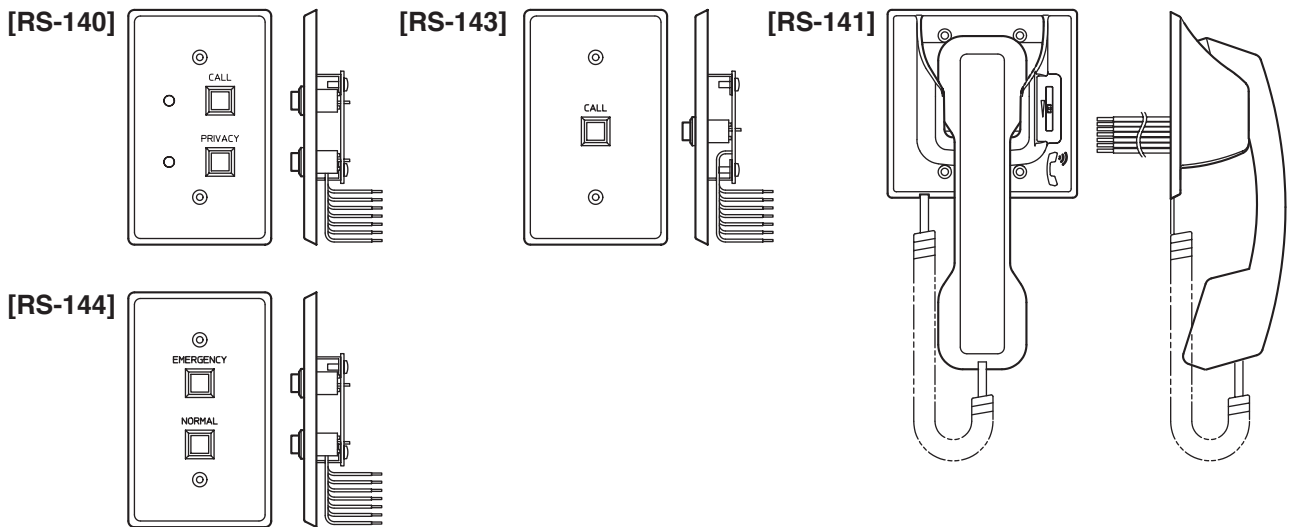
The RS-140, RS-143, and RS-144 are substations to be connected to the 2-Core Shielded Substation Interface Unit. The RS-141, designed exclusively for indoor-use in combination with the RS-140, RS-143, or RS-144, is an option handset to make handset conversations.

For operation of the units, refer to the N-8000 series instruction manual.

### Warning

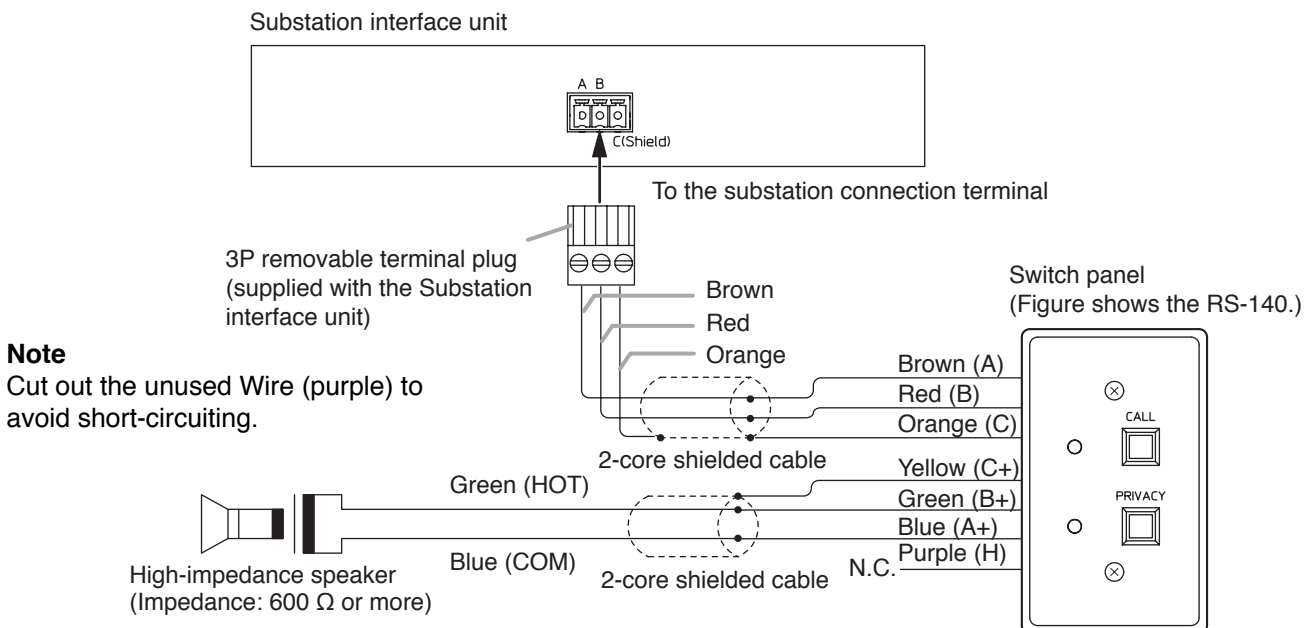
This is a class A product. In a domestic environment this product may cause radio interference in which case the user may be required to take adequate measures.

## 2. APPEARANCE

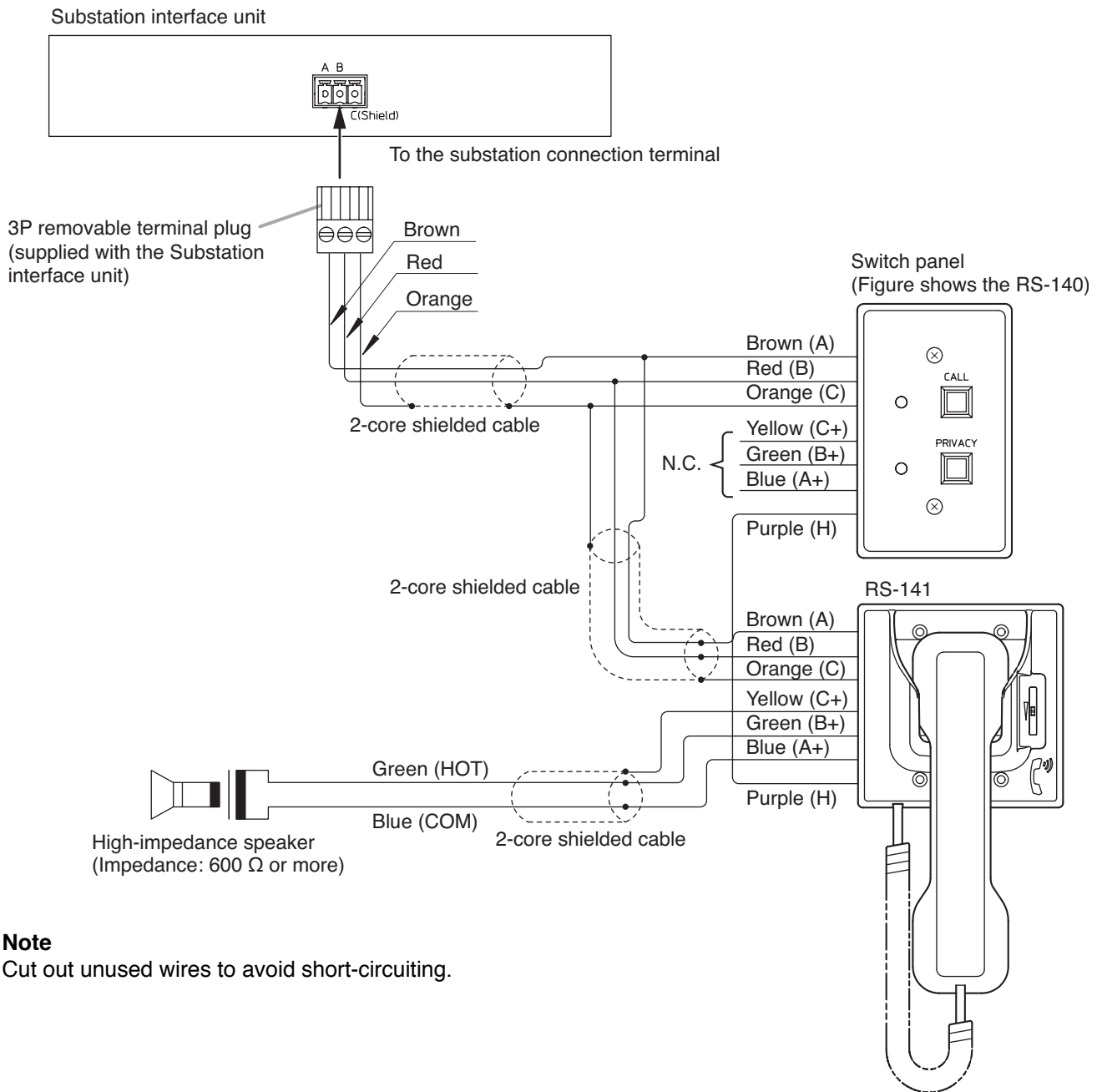


## 3. CONNECTIONS

### 3.1. Switch Panel Connections (When the Option Handset is not used)



### 3.2. Switch Panel and Option Handset Connections

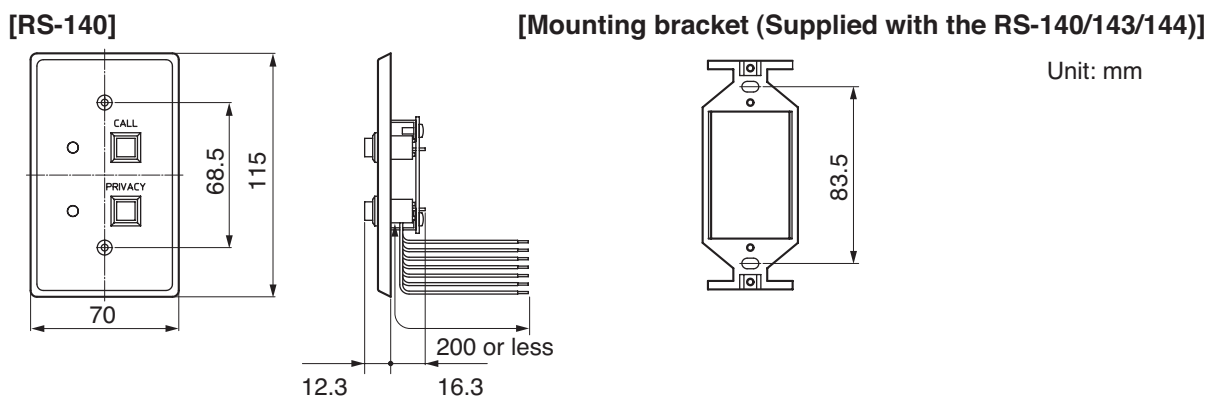


**Note**  
Cut out unused wires to avoid short-circuiting.

## 4. INSTALLATION

### 4.1. Switch Panel Installation

#### 4.1.1. Dimensional diagram



Note: The dimensions of RS-143 and RS-144 are the same as above.

**Note**

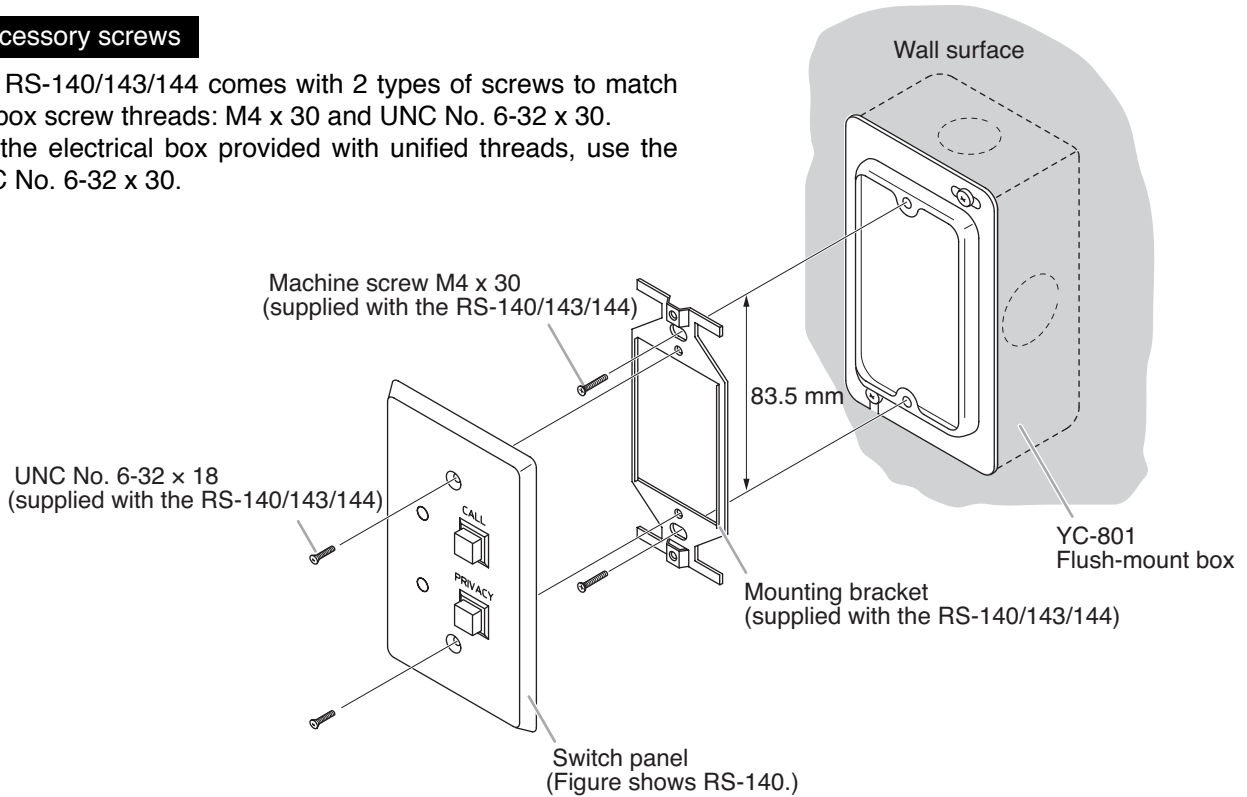
When using the PA paging function, keep the switch panel as far away from the PA paging speaker as possible to avoid acoustic feedback.

**4.1.2. In-wall mounting using an electrical box**

Mount the RS-140/143/144 to the YC-801 Flush-mount box mounted in the wall.

**Accessory screws**

The RS-140/143/144 comes with 2 types of screws to match the box screw threads: M4 x 30 and UNC No. 6-32 x 30. For the electrical box provided with unified threads, use the UNC No. 6-32 x 30.

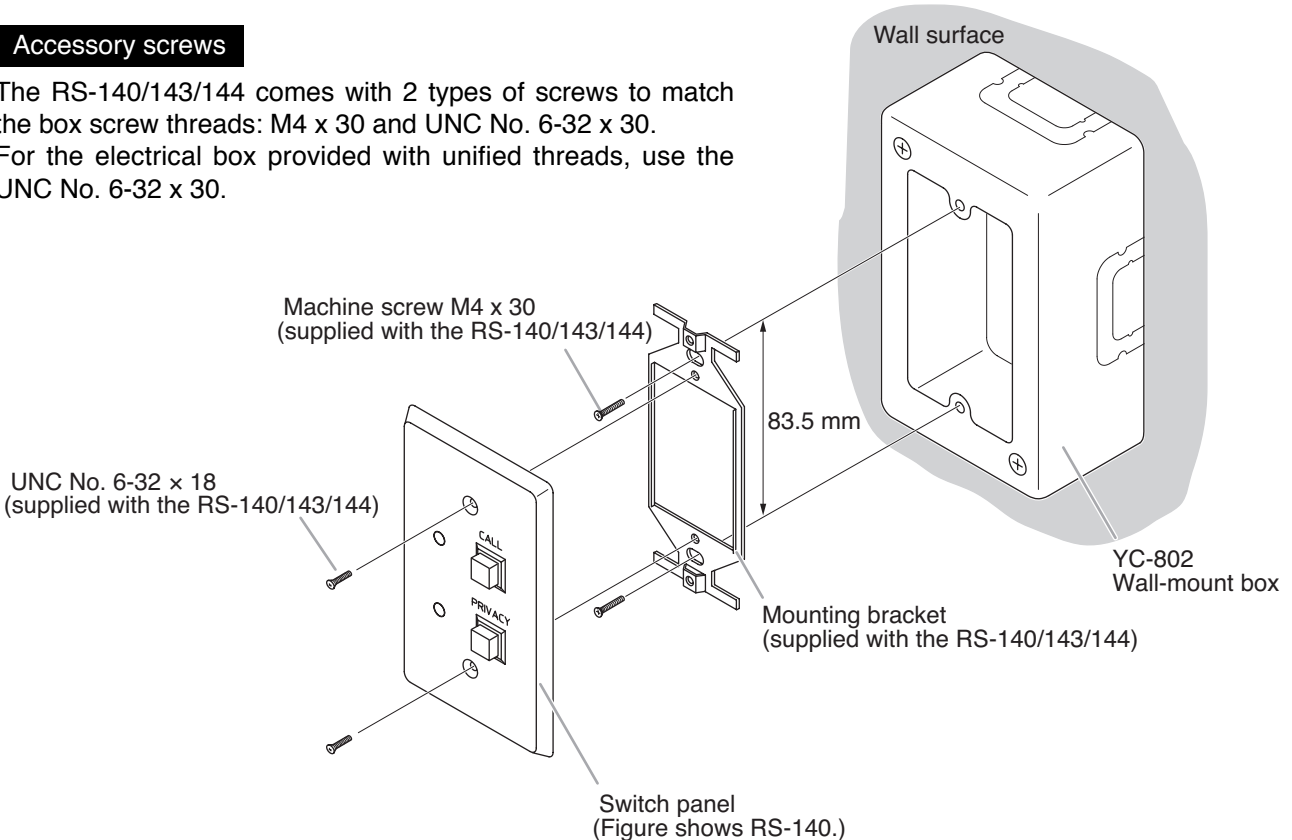


**4.1.3. On-wall mounting using a wall-mount box**

Attach the RS-140/143/144 to the YC-802 Wall-mount box installed on a wall.

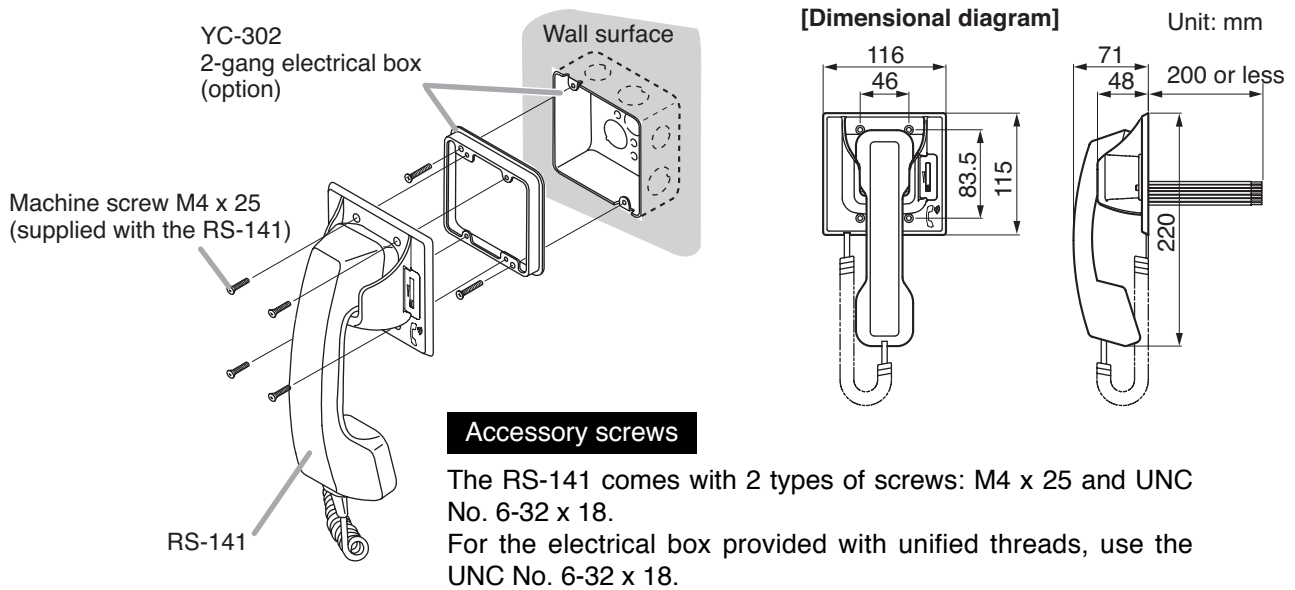
**Accessory screws**

The RS-140/143/144 comes with 2 types of screws to match the box screw threads: M4 x 30 and UNC No. 6-32 x 30. For the electrical box provided with unified threads, use the UNC No. 6-32 x 30.



## 4.2. Option Handset Installation

Mount the option handset to an electrical box mounted in the wall.



## 5. SPECIFICATIONS

Model Number	RS-140	RS-143	RS-144
Call Button 1	Momentary (CALL)		Momentary (EMERGENCY)
Call Button 2	—		Momentary (NORMAL)
Privacy Button	Latching (PRIVACY)	—	
Call Indicator	Flashing red	—	
Conversation Indicator	Lit red	—	
Privacy Indicator	Lit red	—	
Wiring	2-core shielded cable		
Transmission Distance	500 m/ø0.5 mm (AWG24), 800 m/ø0.65 mm (AWG22), 1300 m/ø0.9 mm (AWG19)		
Operating Temperature	0 to +40°C		
Finish	Panel	Stainless steel, hairline	
	Call Button 1	Resin, red	
	Call Button 2	—	Resin, white
	Privacy Button	Resin, white	—
Dimensions	70 (w) x 115 (h) x 28.6 (d) mm		
Weight	80 g		
Accessory	Mounting bracket ... 1, No. 6-32 UNC x 18 ... 2, Machine screw M4 x 30 ... 2, No. 6-32 UNC x 30 ... 2		
Applicable Box	Flush-mount box: YC-801 (option) Wall-mount box: YC-802 (option)		

Model Number	RS-141
Handset Receiver	Dynamic type
Handset Microphone	Electret condenser type
Wiring	2-core shielded cable
Handset Receiver Volume Control	Slide volume Maximum attenuation level: 12 – 18 dB
Operating Temperature	0 to +40°C
Finish	ABS resin, pale white
Dimensions	116 (w) x 220 (h) x 71 (d) mm
Weight	350 g
Accessory	No. 6-32 UNC x 18 ... 4, Machine screw M4 x 25 ... 4
Applicable Box	2-gang electrical box: YC-302 (option)

### Traceability Information for Europe (EMC directive 2004/108/EC)

Manufacturer:  
TOA Corporation  
7-2-1, Minatojima Nakamachi, Chuo-ku, Kobe, Hyogo, Japan

Authorized representative:  
TOA Electronics Europe GmbH  
Suederstrasse 282, 20537 Hamburg, Germany