

# RS-150

SUB STATION

The RS-150 can call and converse with the registered master stations. It utilizes a 2-core shielded cable.

---



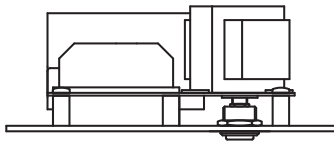
Article number:RS-150  
Alternative products: RS-140, RS-160,  
RS-170, RS-180

---

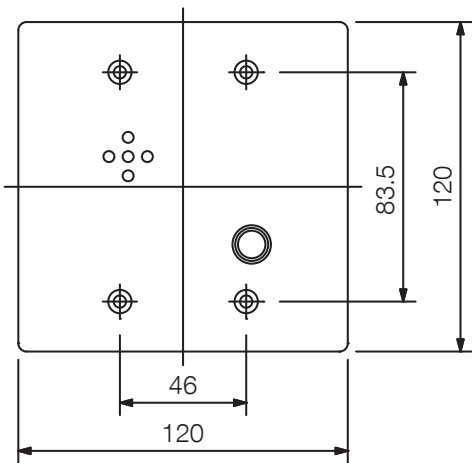
## Specifications

Rated impedance	625 $\Omega$ (1 W / 25 V)
Speaker component	4 cm, cone-type
Rated impedance	625 $\Omega$ (1 W / 25 V)
Speaker component	4 cm, cone-type
Finish.	Stainless steel, hairline,

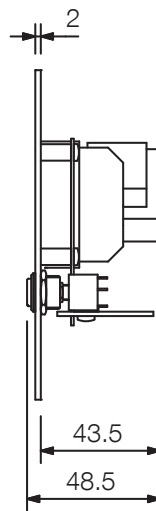
Appearance



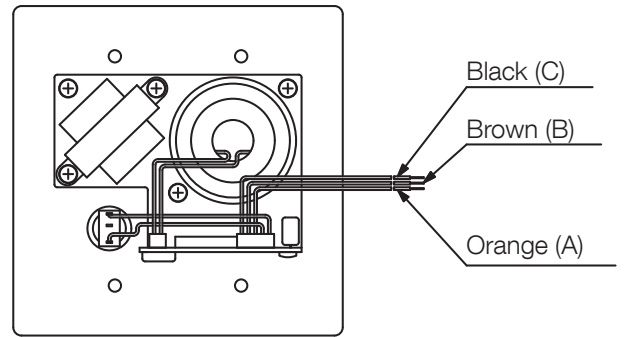
Top View



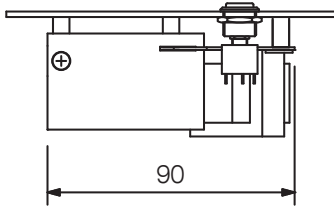
Front View



Side View



Rear View



Bottom View

UNIT:mm SCALE:1/3