

RS-180

SUB STATION

The RS-180 can call and converse with the registered master stations. The RS-180 can call and converse with the registered master stations.

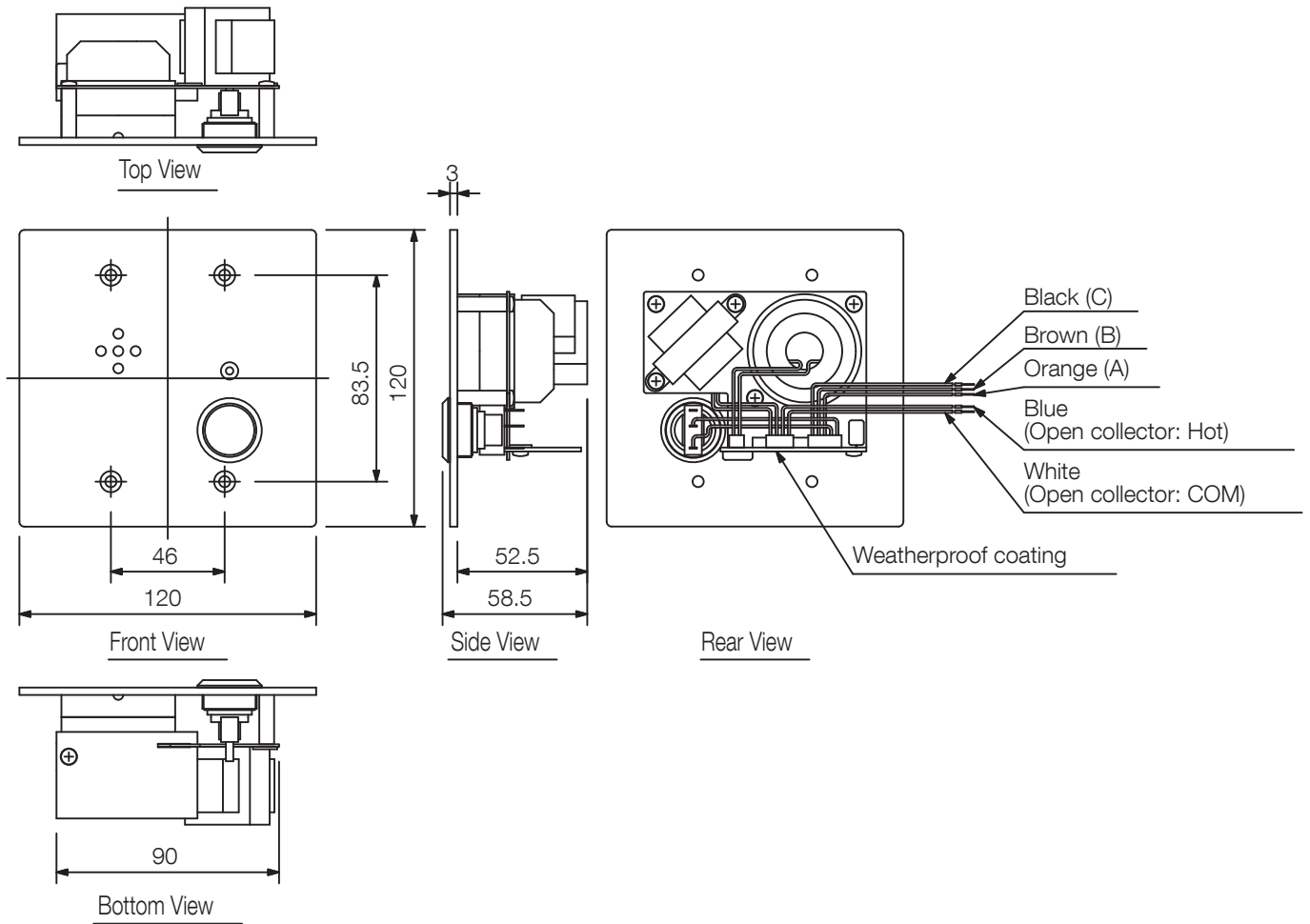


Article number:RS-180
Alternative products: RS-140, RS-150,
RS-160, RS-170

Specifications

Rated impedance	625 Ω (1 W / 25 V)
Speaker component	4 cm, cone-type
Outputs	Open collector output: 24 V DC, 30 mA (The open collector output is kept turned on till the conversation is finished after the call button was pressed.)
Rated impedance	625 Ω (1 W / 25 V)
Speaker component	4 cm, cone-type
Finish	Stainless steel, hairline,

Appearance



UNIT:mm SCALE:1/3