

# RS-460

SUB STATION

The RS-460 is a substation to be connected to the N-8400RS 4-Wire Substation Interface Unit. Pressing a call button will initiate a call to a preprogrammed master station, enabling a conversation.

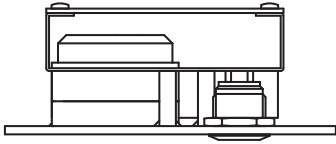


Article number:RS-460  
Alternative products: RS-450, RS-470,  
RS-480

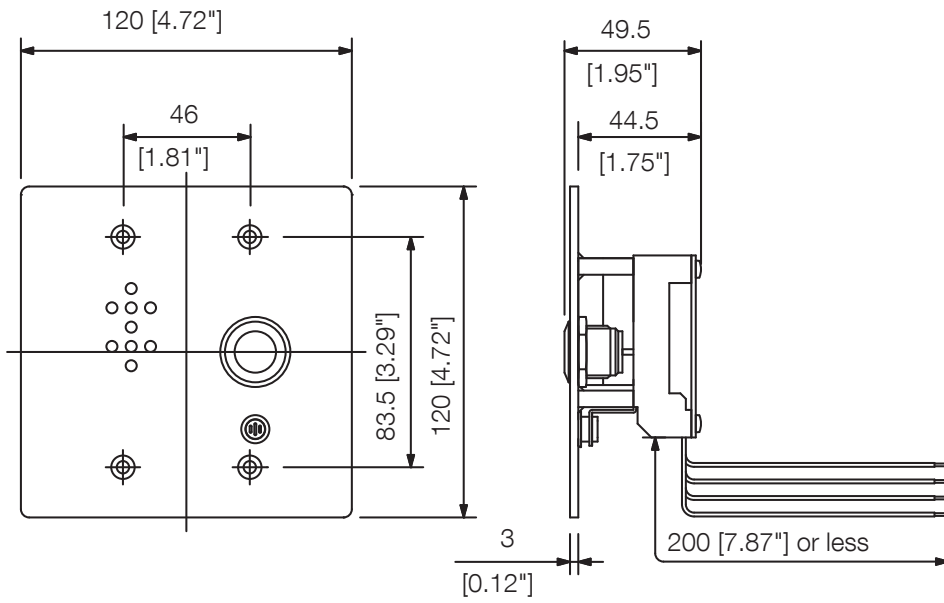
## Specifications

Call-in switch	Momentary (Emergency call: Press twice within 400 ms)
Wiring method	2 set of twisted pair cable
Transmission range	1 km / Ø 0.5 mm (AWG24)1.5 km / Ø 0.65 mm (AWG22)2 km / Ø 0.9 mm (AWG19)
Finish	Stainless steel, hairline,
Operating temperature	0 °C to +40 °C

Appearance

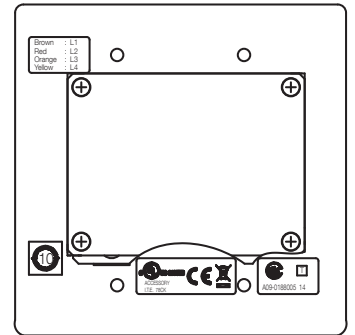


Top View



Front View

Side View



Rear View

UNIT:mm SCALE:1/3