

SR-A12LWP

Featuring the line arrayed wave front control technology that creates sound fields with uniform sound pressure and high sound clarity, the SR-A12LWP is a two-way line array speaker ideal for long distance sound transmission. It satisfies the water-protection requirements set down in the IPX4 Standard. The SR-A12LWP employs the multi-amplifier drive system. Recommended digital speaker processor is the DP-SP3.



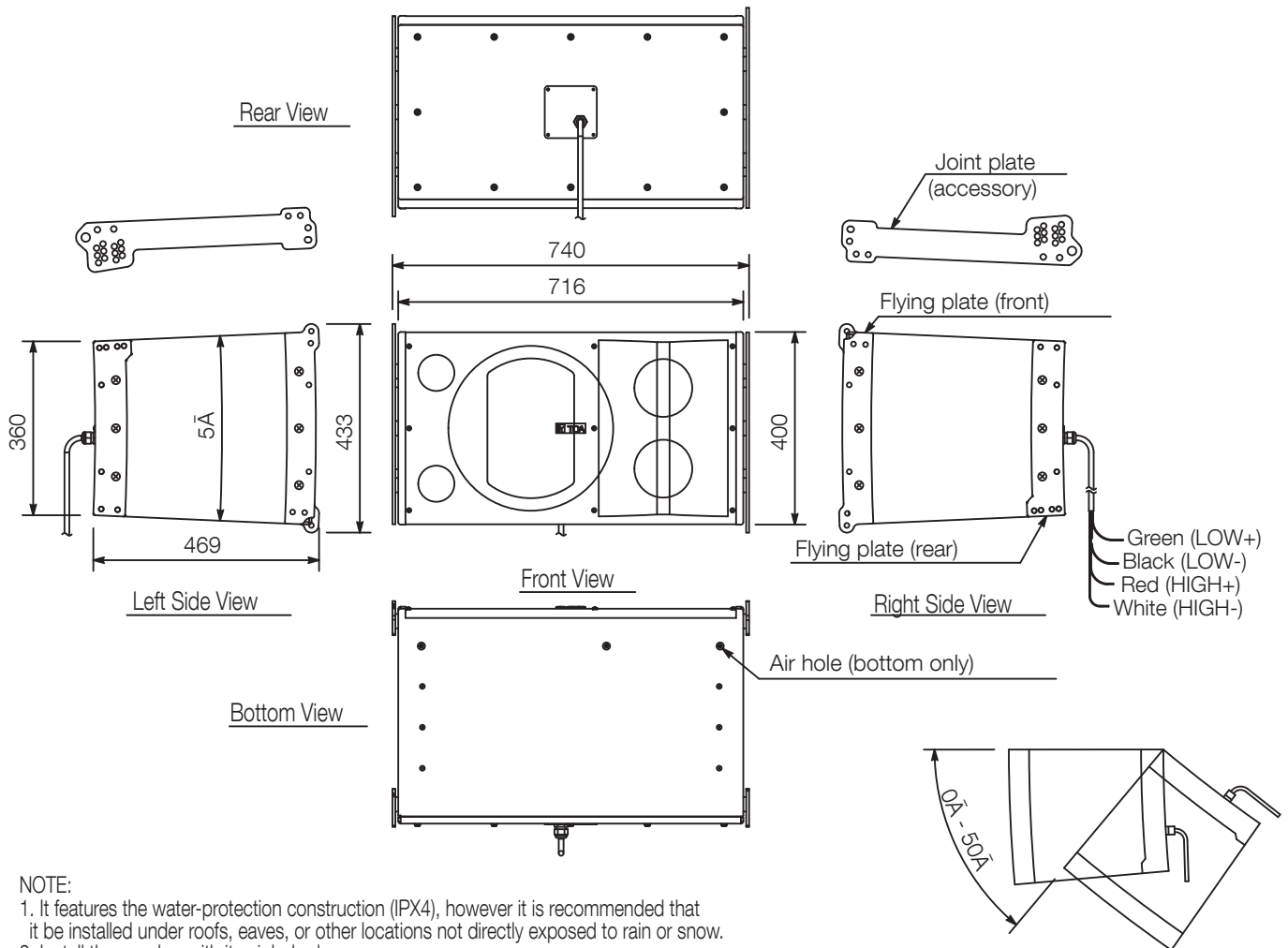
Article number:SR-A12LWP
 Alternative products: SR-A12L, SR-A12LWP,
 SR-A12S, SR-A12SWP, SR-A18B

Specifications

Dimensions (W x H x D)	740 x 433 x 469 mm
Dimensions (ø x D)	x 469 mm
Finish	Plywood, urethane coating, paint, black (RAL 9005 or equivalent),

SR-A12LWP

Appearance



NOTE:

1. It features the water-protection construction (IPX4), however it is recommended that it be installed under roofs, eaves, or other locations not directly exposed to rain or snow.
2. Install the speaker with its air hole down.
3. For outdoor permanent installation, the installation angle of the speaker as shown at the right must be between 0° horizontal and 50° downward.
4. When permanently installing the speaker outdoors, inspect it periodically.

UNIT:mm SCALE:1/15