

SR-A12S

LINE ARRAY SPEAKER

Featuring the line arrayed wave front control technology that creates sound fields with uniform sound pressure and high sound clarity, the SR-A12S is a two-way line array speaker ideal for short distance sound transmission. The SR-A12S employs the multi-amplifier drive system. Recommended digital speaker processor is the DP-SP3.



Article number:SR-A12S
Alternative products: SR-A12L, SR-A12LWP,
SR-A12SWP

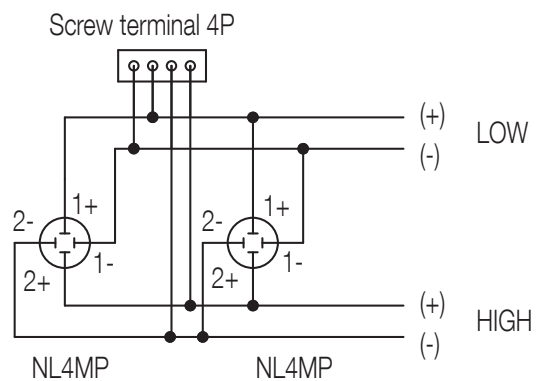
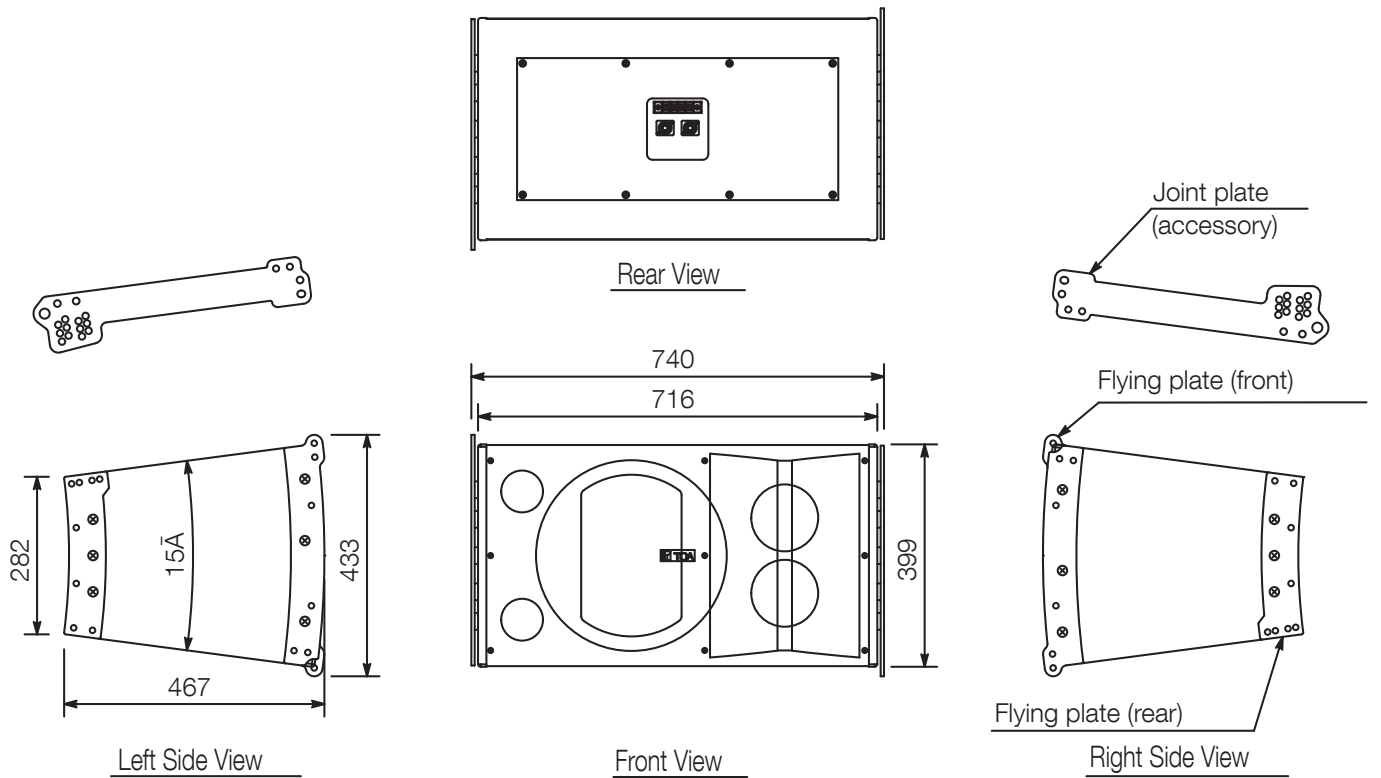
Specifications

Sensitivity (1#V, 1#m)	Low frequency: 98 dB High frequency: 109 dB
Frequency response.	50 Hz - 20 kHz
Crossover frequency	1 kHz
Rated input (low impedance)	Continuous program: Low frequency: 450 W, High frequency: 180 W
Rated impedance	8 Ω, 16 Ω
Speaker component	Low frequency: 30 cm cone-typeHigh frequency: Wave front control horn 90° (horizontal) × 15°(vertical) + compression driver × 2
Finish.	Plywood, paint, black (RAL 9005 or equivalent),

SR-A12S

LINE ARRAY SPEAKER

Appearance



Wiring Diagram

UNIT:mm

SCALE:1/15