

SR-A18B

LINE ARRAY SPEAKER

The SR-A18B is a sub-woofer system designed to be used in conjunction with the SR-A12L or SR-A12S Line array speaker. The SR-A18B employs the multi-amplifier drive system. Recommended digital speaker processor is the DP-SP3.



Article number:SR-A18B

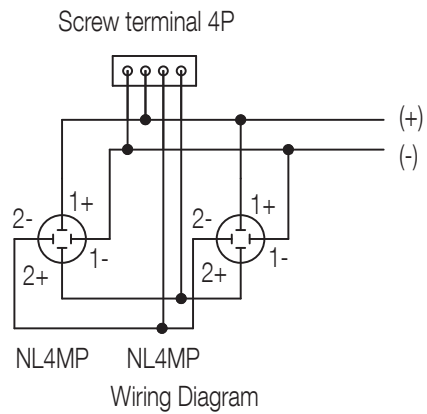
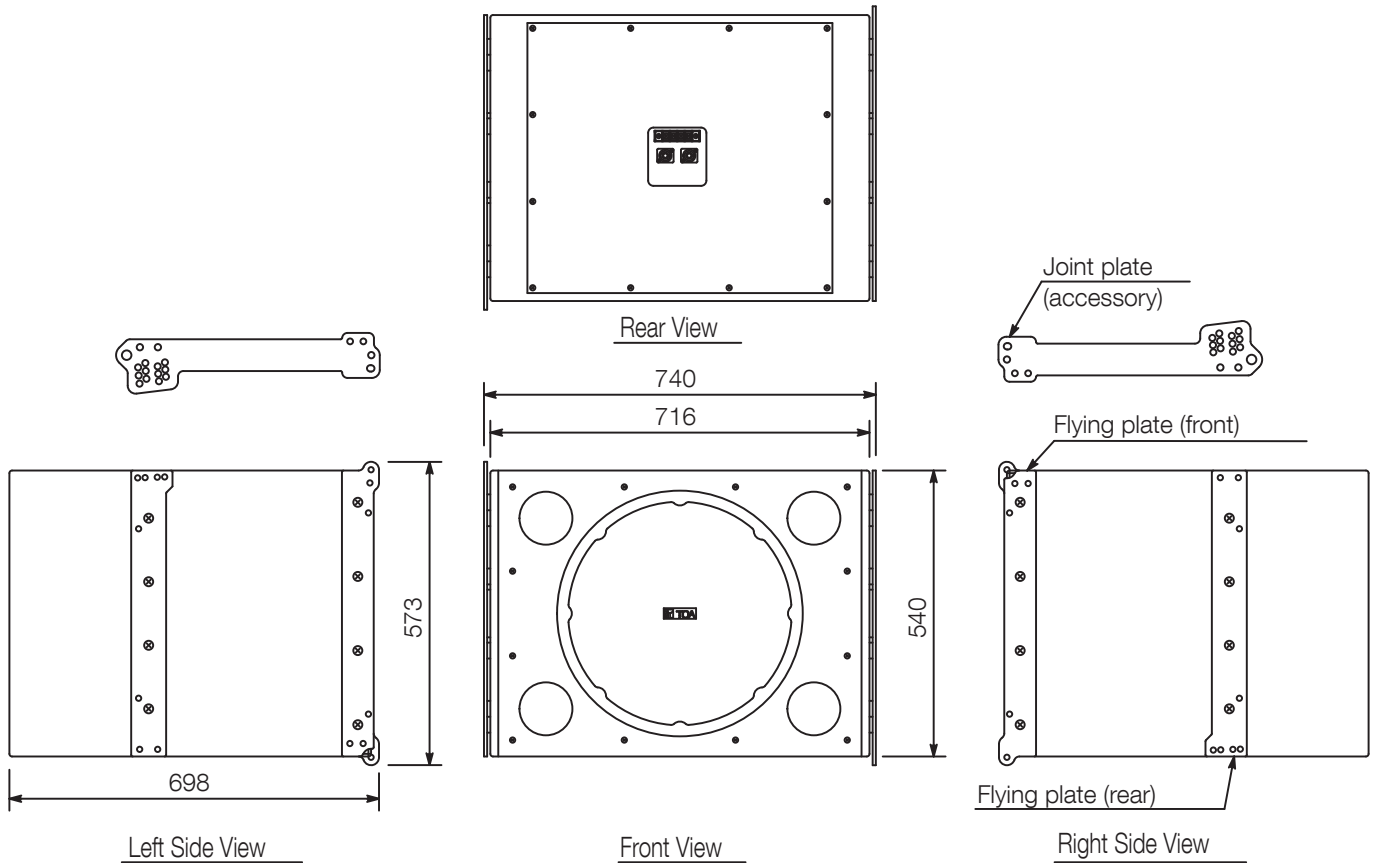
Specifications

Dimensions (W x H x D)	740 x 573 x 698 mm
Dimensions (ø x D)	x 698 mm
Finish	Plywood, paint, black (RAL 9005 or equivalent),

SR-A18B

LINE ARRAY SPEAKER

Appearance



UNIT:mm SCALE:1/15