



# SR-C15BWP

LINE ARRAY SPEAKER

The SR-C15B Sub-woofer system is designed to be used in conjunction with the SR-C8L or SR-C8S Line array speaker. Recommended digital speaker processor is the DP-SP3 (option).

---



Article number:SR-C15BWP  
Alternative products: SR-C15B

---

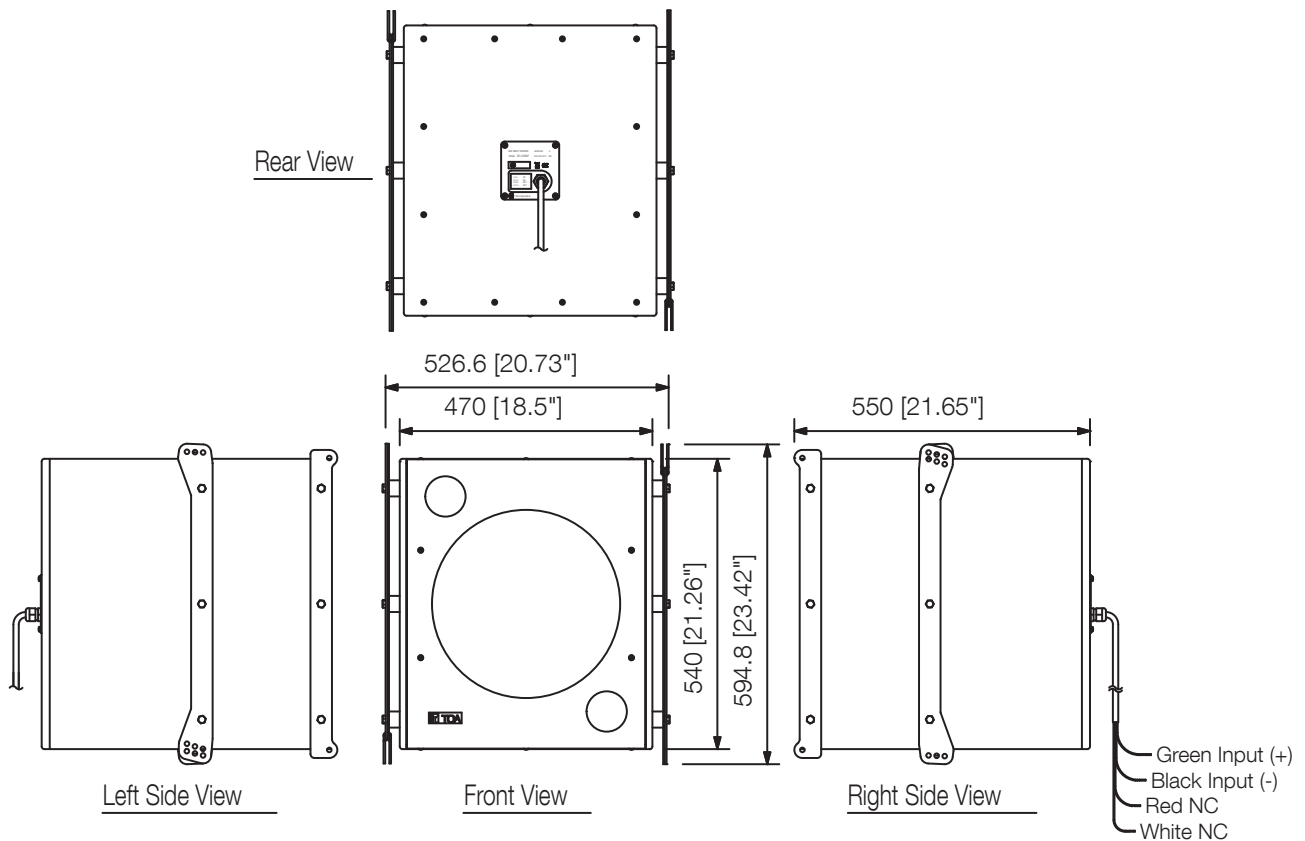
## Specifications

Sensitivity (1#W, 1#n)	93 dB
Frequency response.	40 Hz - 400 Hz
Rated input (low impedance)	Continuous program: 450 W
Rated impedance	8 Ω
Finish.	Plywood, urethane coating, paint, black (RAL 9005 or equivalent),

# SR-C15BWP

LINE ARRAY SPEAKER

Appearance



NOTE:

1. It features the water-protection construction (IPX4), however it is recommended that it be installed under roofs, eaves, or other locations not directly exposed to rain or snow.
2. Do not install the SR-C15BWP at places where it is likely to be corroded such as bath room, indoor pools, or seaside.
3. Install the speaker with its air hole down. The air hole are provided at the bottom surface.
4. For outdoor permanent installation, the installation angle of the speaker as shown at the right must be between 0° horizontal and 50° downward.
5. When permanently installing the speaker outdoors, inspect it periodically.

UNIT:mm

SCALE:1/15

