

SR-C8S

LINE ARRAY SPEAKER

The SR-C8S is a 2-way line array speaker featuring wave front control technology which creates a sound field with high sound clarity and uniform sound pressure. Recommended digital speaker processor is the DP-SP3. It can be converted into the bi-amplifier drive system by changing the internal connection.



Article number:SR-C8S
 Alternative products: SR-A12L, SR-A12LWP, SR-A12S, SR-A12SWP, SR-A18B, SR-C15B, SR-C15BWP, SR-C8L, SR-C8LWP, SR-C8S, SR-C8SWP, SR-H2L, SR-H2S, SR-H3L, SR-H3S, SR-S4L, SR-S4LWP, SR-S4S, SR-S4SWP, SR-S4LEB-Q, SR-S4SEB-Q

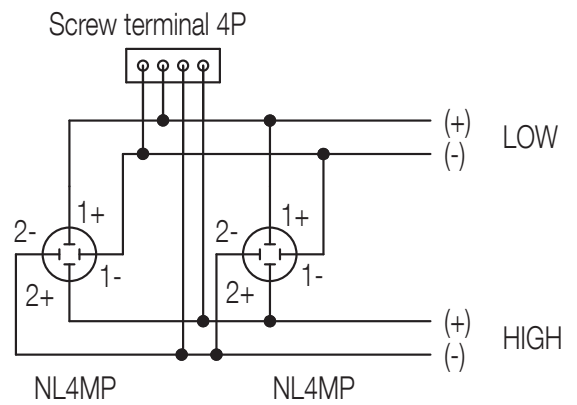
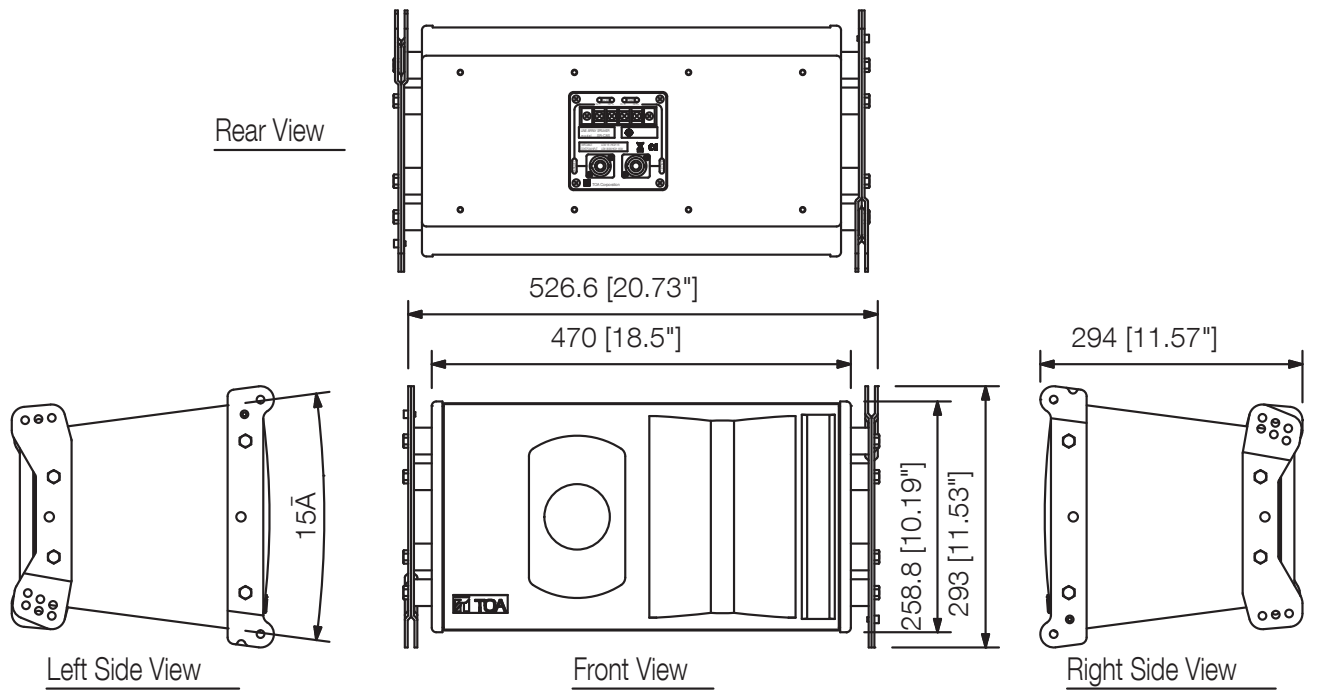
Specifications

Dimensions (W x H x D)	526,6 x 293 x 294 mm
Dimensions (ø x D)	x 294 mm
Finish	Plywood, paint, black (RAL 9005 or equivalent),

SR-C8S

LINE ARRAY SPEAKER

Appearance



Wiring Diagram

UNIT:mm

SCALE:1/10