

# TOA INSTALLATION MANUAL

## STAND ADAPTER SR-SA4

The SR-SA4 is designed to be used exclusively to mount the SR-S4L or SR-S4S Line Array speaker on the ST-34B Speaker Stand.

### 1. SAFETY PRECAUTIONS

- Before installation or use, be sure to carefully read all the instructions in this section for correct and safe operation.
- Be sure to follow all the precautionary instructions in this section, which contain important warnings and/or cautions regarding safety.
- After reading, keep this manual handy for future reference.

#### ⚠ WARNING

Indicates a potentially hazardous situation which, if mishandled, could result in death or serious personal injury.

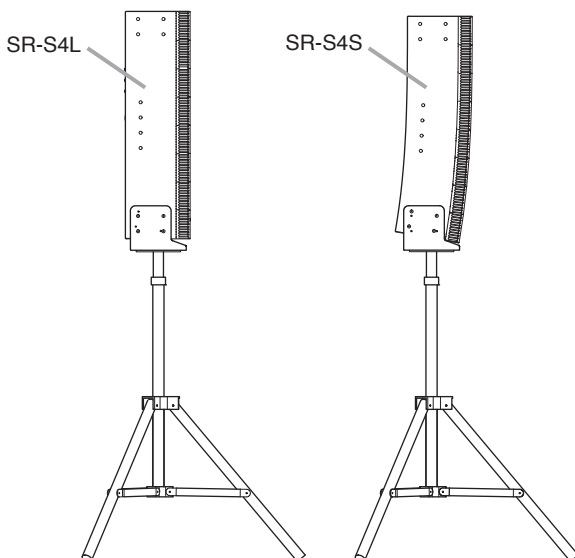
- Do not use other methods than specified to mount the unit. Extreme force is applied to the unit and the speaker could fall off, possibly resulting in personal injuries.
- Tighten each nut and bolt securely. Ensure that the unit has no loose joints after installation to prevent accidents that could result in personal injury.
- Use the ST-34B Speaker Stand in combination. Doing otherwise may cause the unit or component to fall off, resulting in personal injury.

#### ⚠ CAUTION

Indicates a potentially hazardous situation which, if mishandled, could result in moderate or minor personal injury, and/or property damage.

- Avoid touching the unit's sharp metal edge to prevent injury.

### 2. SPEAKER MOUNTING VIEW



### 3. SPEAKER MOUNTING

For step 3 and 4 below, refer to the instruction manual attached to the ST-34B.

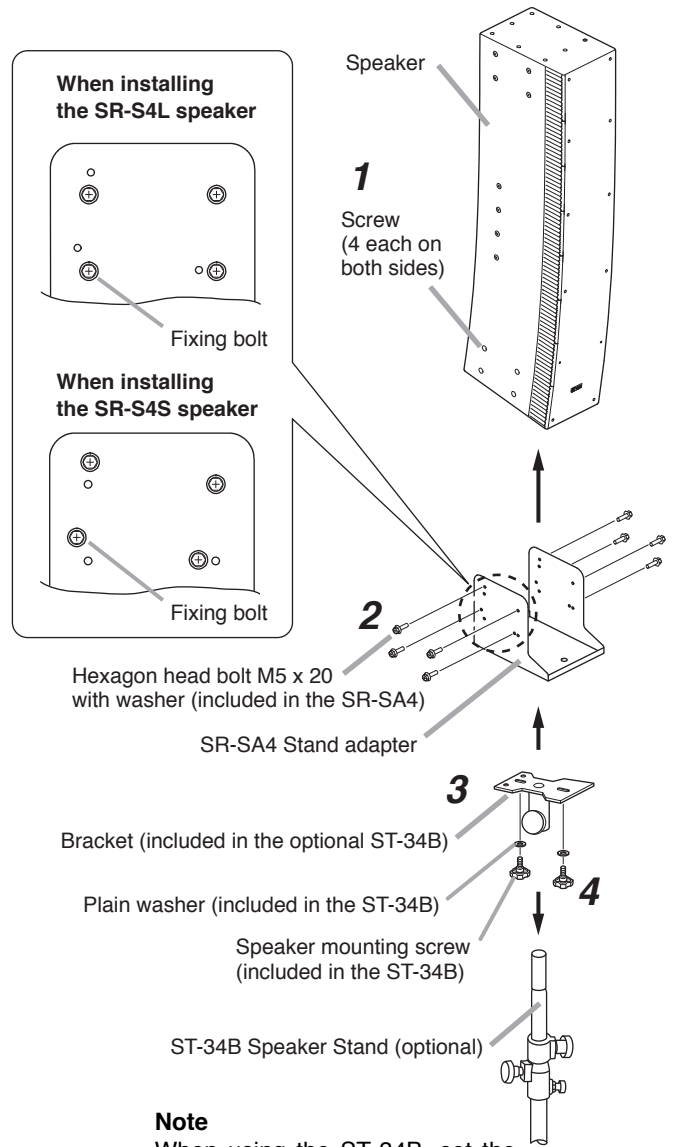
**Step 1.** Remove the screws on both sides of the speaker.

**Note:** The removed screws are not used.

**Step 2.** Install the SR-SA4 Stand Adapter to the speaker.

**Step 3.** Attach the bracket (included in the ST-34B) to the SR-SA4 Stand Adapter.

**Step 4.** Mount the bracket onto the stand.



#### Note

When using the ST-34B, set the inner pipe to its lowest position.

### 4. SPECIFICATIONS

Number of Speakers to be Mounted	1
Finish	Steel plate, white, paint
Dimensions	165 (w) x 175 (h) x 220 (d) mm
Weight	1.7 kg (including accessories)
Applicable Stand (option)	ST-34B
Accessories	Hexagon head bolt M5 x 20 with washer ..... 8

**Note:** The design and specifications are subject to change without notice for improvement.

URL: <http://www.toa.jp/>