

The TU-631 is a highly intelligible driver unit suited to public address announcement applications. Use the driver unit in combination with a suitable horn (optional). Its powder-coated finish and stainless steel screws ensure the unit's weatherproof capability.

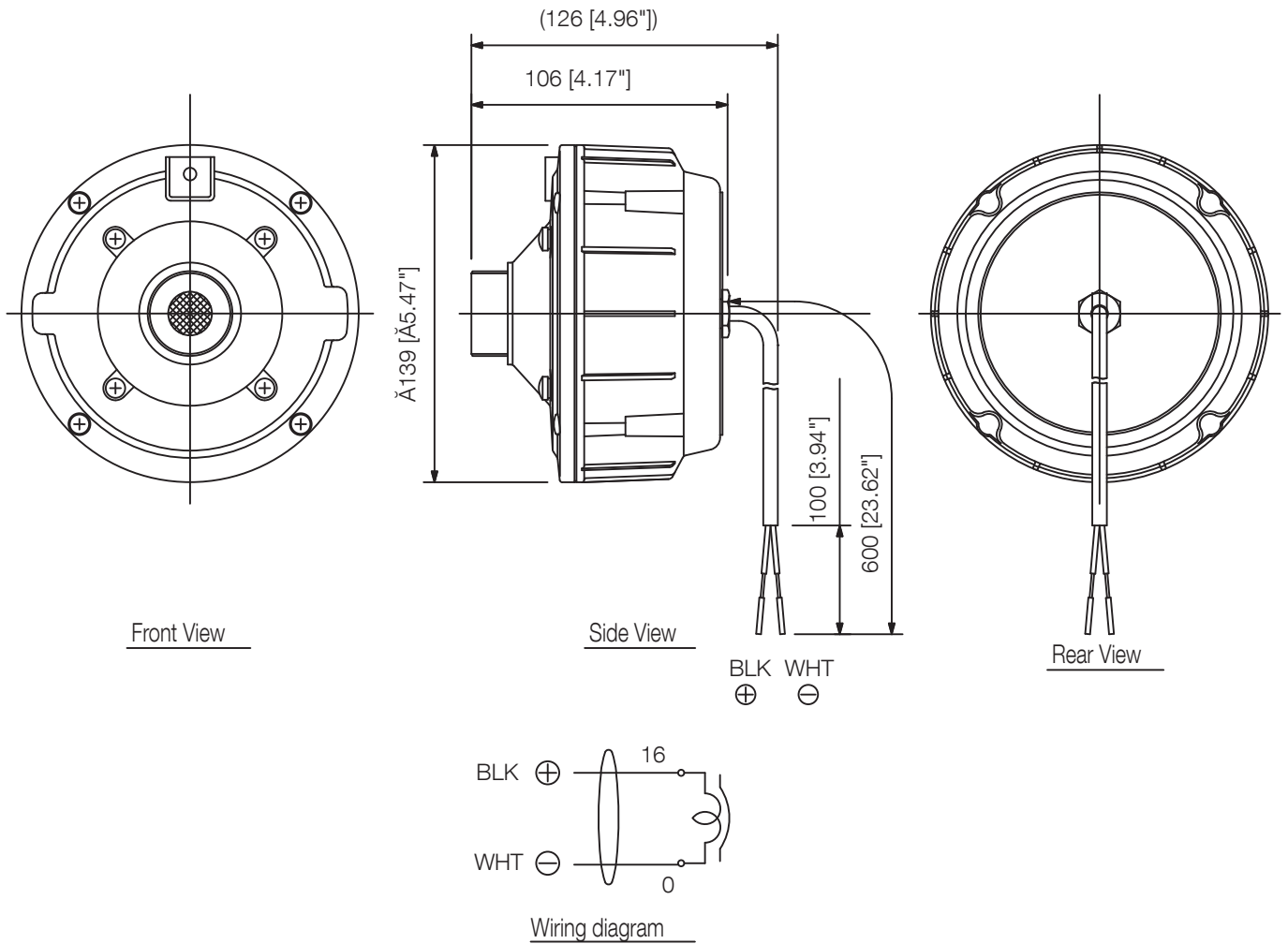


Article number: TU-631

## Specifications

Operating temperature	-20°C to +60°C (-4°F to 140°F)
Certificates	IP65
Dimensions	139 x 149 mm (Ø x D)
Gross weight	1,7 KG
Finish	Aluminium, powder coating, grey, Rear cover: ABS resin, grey
Weight	1.4 kg

Appearance



UNIT:mm SCALE:1/3