



TU-651M

DRIVER UNIT (FOR SPEAKER)

The TU-651M is a highly intelligible driver unit suited to public address announcement applications. Use the driver unit in combination with a suitable horn (optional). Its powder-coated finish and stainless steel screws ensure the unit's weatherproof capability.



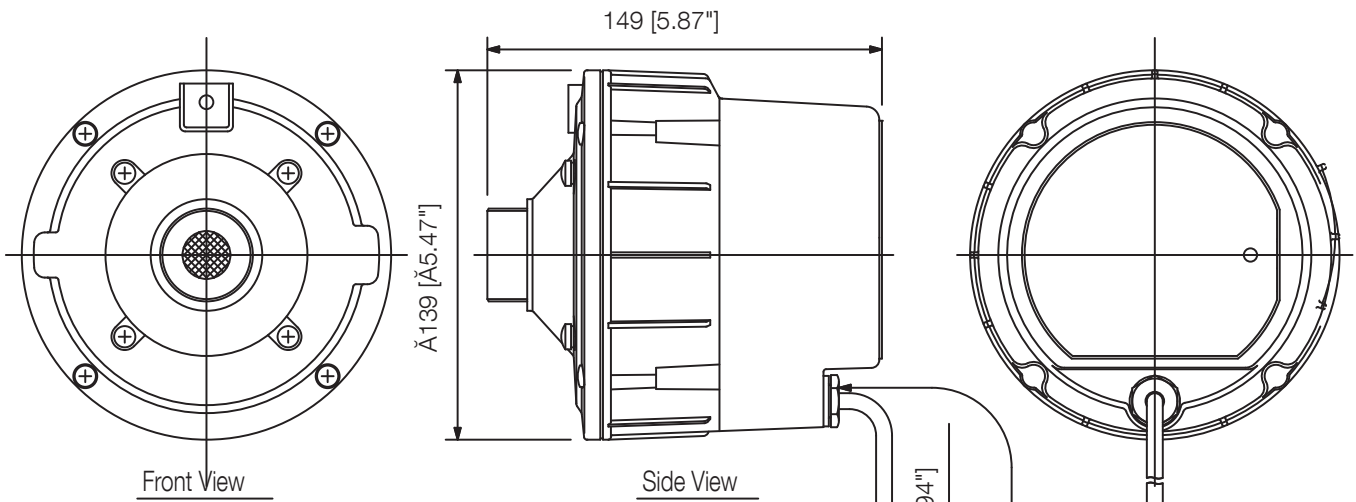
Article number: TU-651M

Specifications

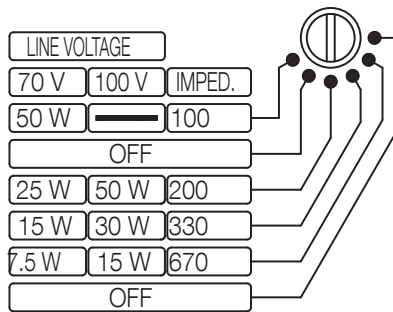
We supply sound, not equipment.
www.toa.eu

©TOA Electronics Europe GmbH | Data subject to change without notice.
EN, 2021/05/13

Appearance

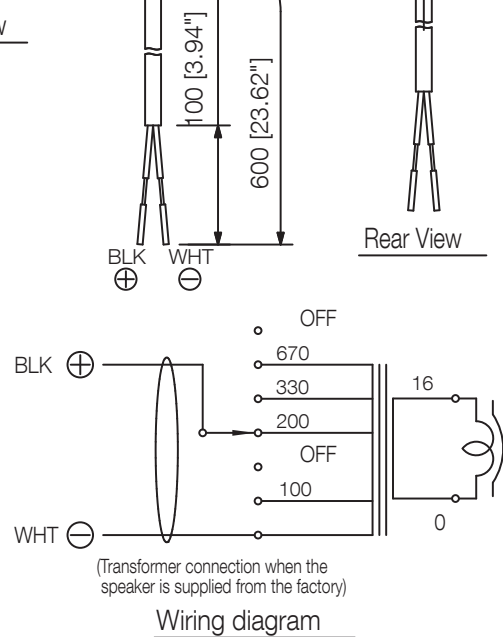


CAUTION
NEVER SET THE SWITCH TO " " POSITION
FOR 100 V LINE OPERATION, AS DOING SO MAY
RESULT IN DAMAGE TO THE SPEAKER.



Set the impedance selector to the desired impedance.

Impedance Selection



UNIT:mm

SCALE:1/3