

# VX-050DA

## DIGITAL POWER AMPLIFIER MODULE 500W

The VX-050DA is an Digital power amplifier used for the VX-3000 systems which is compliant with the European Standard EN54 for fire alarm systems. It is a module type with 1 channel of class-D digital power amplifier, which contribute to energy-saving and light weight design. The VX-050DA also features standby mode to be set for reducing standby power consumption. It requires a dedicated control units VX-3004F, VX-3008F, VX-3016F and power supply unit VX-3000DS.



Article number: VX-050DA  
Alternative products: VX-015DA, VX-030DA

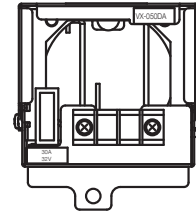
### Specifications

Power source	31 V DC (operating range: 20 – 33 V DC)
Rated output	500 W (100 V)
Frequency response	40 Hz - 16 kHz ( $\pm 3$ dB)
Distortion	< 1 %
Distortion	< 1 % (at 100 V line, A-weighted)
Power consumption	1.3 W (standby mode), 16 W (idle), 100 W (EN 62368-1: 1/8 rated output), 590 W (rated output)
S/N ratio	100 dB (or more at 100 V, A-weighted)
Inputs	DA control link (15-pin connector)
Outputs	100 V/70 V/50 V selectable
Number of channels	1
Dimensions (W x H x D)	79 x 91 x 358,2 mm
Dimensions ( $\phi$ x D)	x 358,2 mm
Finish	Steel plate, surface-treated,

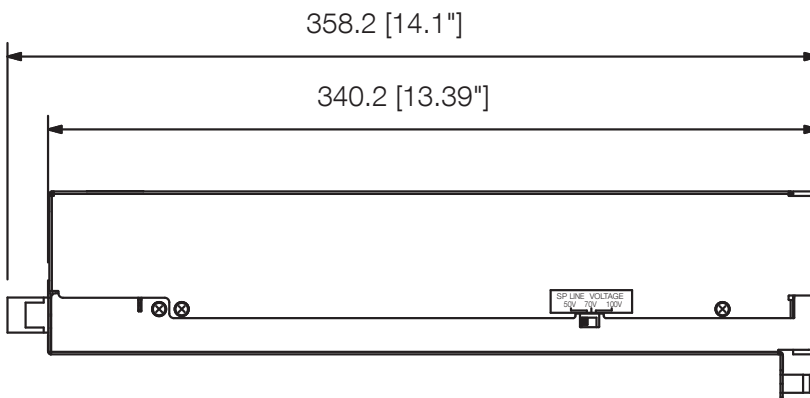
# VX-050DA

DIGITAL POWER AMPLIFIER MODULE 500W

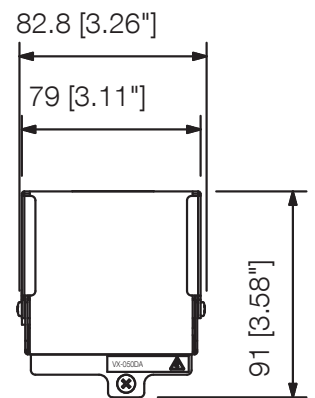
Appearance



Rear View



Side View



Front View

UNIT:mm SCALE:1/4