



# WIRELESS TUNER MODULE


## INSTRUCTION MANUAL WTU-M9800

Thank you for purchasing TOA's Wireless tuner module.

Please carefully follow the instructions in this manual to ensure long, trouble-free use of your equipment.

### 1. SAFETY PRECAUTIONS

- Be sure to read the instructions in this section carefully before use.
- Make sure to observe the instructions in this manual as the conventions of safety symbols and messages regarded as very important precautions are included.
- We also recommend you keep this instruction manual handy for future reference.

 **WARNING** Indicates a potentially hazardous situation which, if mishandled, could result in death or serious personal injury.

#### When Installing the Unit

- Do not expose the unit to rain or an environment where it may be splashed by water or other liquids, as doing so may result in fire or electric shock.


#### Caution to the user

Notice:

The changes or modifications not expressly approved by the party responsible for compliance could void the user's authority to operate the equipment.

This device complies with part 15 of the FCC Rules. Operation is subject to the following two conditions:

- (1) This device may not cause harmful interference, and
- (2) this device must accept any interference received, including interference that may cause undesired operation.

 **CAUTION** Indicates a potentially hazardous situation which, if mishandled, could result in moderate or minor personal injury, and/or property damage.

#### When Installing the Unit

- Do not mount the module in equipment other than those designated.
- Use only with the voltage specified on the module. Using a voltage higher than that which is specified may result in fire or electric shock.
- Be sure to turn off the power of the equipment before installing the module.
- Avoid touching parts and terminals on the module's circuit board when inserting or removing the module.

#### IMPORTANT NOTE

This device contains license-exempt transmitter(s)/receiver(s) that comply with Innovation, Science and Economic Development Canada's license-exempt RSS(s). Operation is subject to the following two conditions:

- (1) This device may not cause interference.
- (2) This device must accept any interference, including interference that may cause undesired operation of the device.

L'émetteur/récepteur exempt de licence contenu dans le présent appareil est conforme aux CNR d'Innovation, Sciences et Développement économique Canada applicables aux appareils radio exempts de licence. L'exploitation est autorisée aux deux conditions suivantes :

- (1) l'appareil ne doit pas produire de brouillage;
- (2) l'utilisateur de l'appareil doit accepter tout brouillage radioélectrique subi, même si le brouillage est susceptible d'en compromettre le fonctionnement.

### 2. GENERAL DESCRIPTION

The TOA WTU-M9800 Wireless Tuner Module is designed for plugged into the 9000 series, 900 series and TOA's other equipment. It is used in conjunction with UHF wireless equipment for vocal or speech reinforcement applications. Its built-in circuit minimizes the influence of ambient noise

### 3. FEATURES

- An optimized PLL-synthesizer drastically minimizes the oscillation frequency drift resulting from the ambient temperature changes.
- A contact output terminal is provided for control of external equipment.

### 4. HANDLING PRECAUTION

- Be sure to connect at least two receiving antennas (one each for Antenna A and B).

## 5. NOMENCLATURE

### 1. Antenna input A, B

75 Ω, BNC

For the wireless system covering a relatively narrow area, use the supplied two rod antennas, which should be set up at a 45° angle outwards from a vertical line.

Also available to use the external antenna YW-4500.

### 2. Reception lamps

Either lamp of A (left) or B (right) lights green when the tuner module receives a radio signal.

### 3. Channel selector switch

Set the receiving channel.

### 4. Contact output terminal

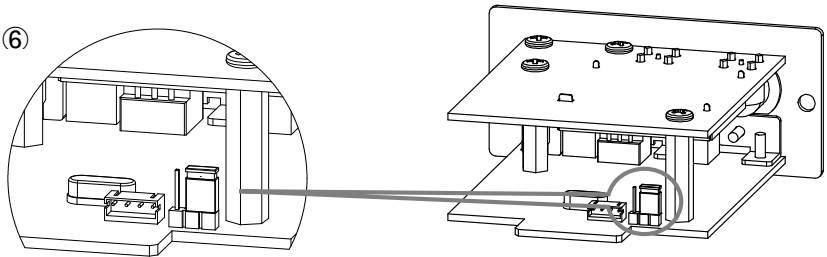
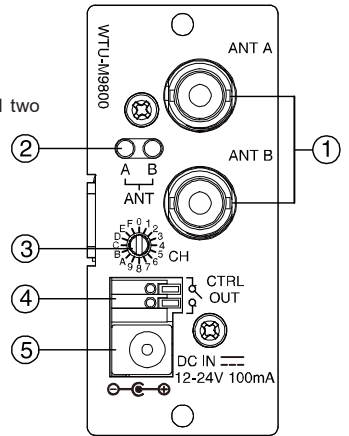
Push-type terminal block

Depending on the state of the microphone On/Off, the make contact is output.

### 5. DC input jack (\* External power supply mode only)

Connect the power cable of the optional AC adapter or equivalent to this jack.

### 6. Jumper connector for power supply mode select



Select the internal or external power supply mode.

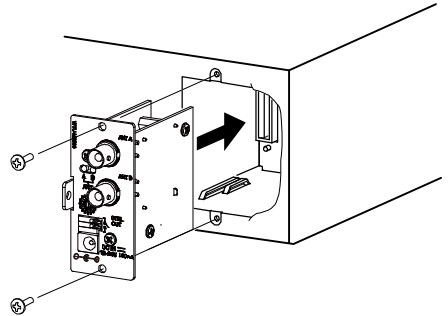
## 6. CONNECTION

### 6.1. Plug-in module insertion

**Step 1.** Remove the blank panel covering the module slot on the rear panel of the equipment.

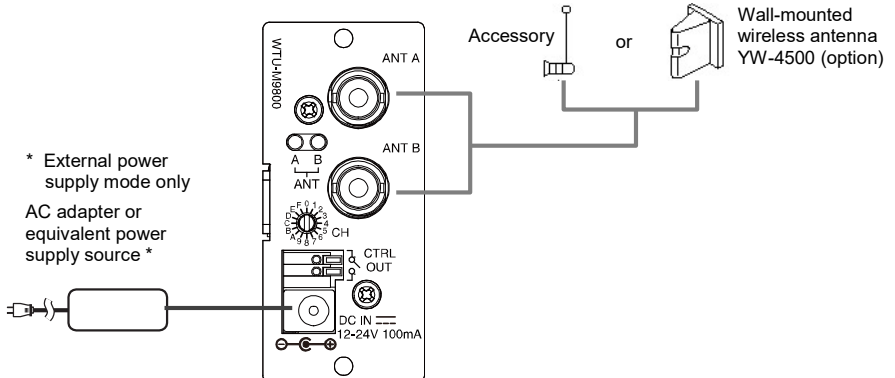
**Step 2.** Align the module board with the top and bottom guide rails, and press in.

**Step 3.** Using the screws supplied with the module, secure the module to the rear panel.



### 6.2. Connection example

Be sure to connect at least two receiving antennas (one each for Antenna A and B).

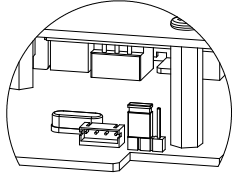


### 6.3. External power supply mode

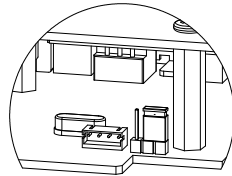
The WTU-M9800 module has 2 kinds of the power supply mode.

One is the internal 24V mode which is supplied from the power supply of the equipment, and other one is the external mode which is supplied from the optional AC adapter or the equivalent power source.

Switches the jumper connector on the module's circuit board is available to exchanging the power supply mode.



Internal power supply mode

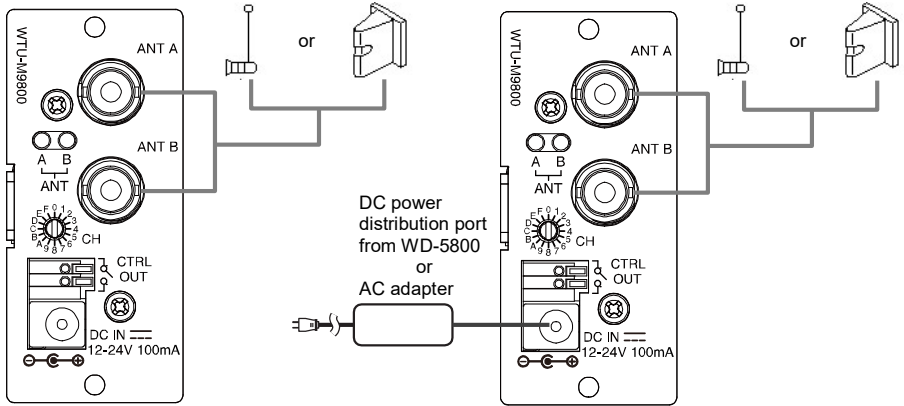


External power supply mode

When using one WTU-M9800 in the equipment, it is available to use the internal power supply mode.

When using two or more WTU-M9800 in the equipment, namely multi-channel using, it is necessary to use the external power supply mode.

At the multi-channel using of WTU-M9800s, using with the antenna distributor WD-5800 is available to provide to each WTU-M9800 module the signal of receiving antenna and the power supply distribution.

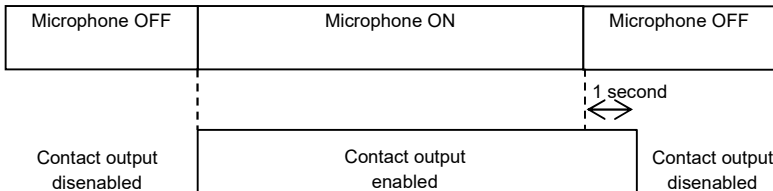


Internal power supply mode

External power supply mode

### 6.4. Contact output

The WTU-M9800 module features no-voltage output contact, which can be used to control external equipment. The contact output is enabled when a signal is received normally (when microphone audio can be output), and in other case, when microphone audio cannot be output, it is not enabled.



## 7. OPERATION

**Step 1.** Set the channel selector switch to the predetermined channel number using with screwdriver supplied with the WTU-M9800.

**Step 2.** Turn the wireless microphone's power on.

**Step 3.** Adjust the volume control on the equipment for the wireless microphone's proper level.

## 8. SPECIFICATIONS

Power Requirement	Internal power supply mode : 24 V DC External power supply mode : 12 – 24 V DC
Current Consumption	100 mA
Receiving Frequency	UHF, 506 – 865 MHz for CE, 506 – 606 MHz for USA and Canada
Receiving System	Double super-heterodyne
Receiving Sensitivity	Better than 80 dB, S/N ratio (20 dB $\mu$ V input, 40 kHz deviation)
Antenna Input	75 $\Omega$ , BNC (phantom powering for antenna), 9 V DC, 30mA (max)
Contact Output	1 channel, no-voltage make contact output, withstand voltage : 30 V DC, control current 0.5 A max.
Indicator	ANT A/B
Diversity System	Space diversity
Channel	16 channels selectable
Squelch System	Noise SQ
Squelch Sensitivity	18 dB $\mu$ V
Audio Output	+6 dB* (maximum deviation, 10 k $\Omega$ load)
Harmonic Distortion	Less than 1%
Frequency Response	100 – 12000 Hz, $\pm$ 3 dB
Operating Temperature	-10 to +50°C
Operating Humidity	30% to 85%RH
Finish	Case : Steel, tin plated
Dimensions	35 (W) x 78 (H) x 90.8 (D) mm
Weight	92g

\* 0 dB = 1V

**Note :** The design and specifications are subject to change without notice for improvement.

### • Accessories

Driver for channel changing ... 1  
Rod antenna..... 2

### • Optional product

Antenna : YW-4500

## CERTIFICATIONS

### In compliance with

EN 301 489-01:V2.2.0 (2017-03)  
EN 301 489-09:V2.1.1 (2017-03)  
EN 300 422-1 V2.1.2 (2017-01)

EN 62368-1:2014 + A11:2017  
EN50581:2012

### CE Declaration of Conformity

2014/53/EU RED

2011/65/EU and (EU)2015/863 RoHS

### Traceability Information for Europe

Manufacturer:

TOA Corporation

7-2-1, Minatojima-Nakamachi, Chuo-ku, Kobe,  
Hyogo, Japan

Authorized representative:

TOA Electronics Europe GmbH

Suederstrasse 282, 20537 Hamburg, Germany

URL: [www.toa.eu](http://www.toa.eu)

## SUPPLIER'S DECLARATION OF CONFORMITY

We declare under our sole responsibility, that the product complies with Part 15 of FCC Rules.

**Product name : WIRELESS TUNER MODULE, Model Number : WTU-M9800**

Operation is subject to the following conditions: (1) this device may not cause harmful interference, and  
(2) this device must accept any interference received, including interference that may cause undesired operation.

Any modification to the unit, unless expressly approved by TOA Electronics, Inc. could void the your authority to operate the equipment

### Traceability Information for USA

Manufacturer:

TOA Corporation

7-2-1, Minatojima-Nakamachi, Chuo-ku, Kobe,  
Hyogo, Japan

Authorized representative:

TOA Electronics, Inc.

400 Oyster Point Boulevard, Suite 301,  
South San Francisco, California 94080, USA

URL: [www.toaelectronics.com](http://www.toaelectronics.com)

**COMPLIANCE STATEMENT TO WTU-M9800**

<b>AT</b>	Österreich	Hiermit erklärt TOA Electronics Europe GmbH die Übereinstimmung des Empfängers / Empfangsmoduls mit den grundlegenden Anforderungen und den anderen relevanten Festlegungen der Richtlinie 2014/53/EU.
<b>BE</b>	Belgien	
<b>CH</b>	Schweiz	(verantwortlich für die Schweiz: GoWild (Zug); URL: <a href="http://www.gowild.ch">http://www.gowild.ch</a> )
<b>DE</b>	Deutschland	
<b>BE</b>	Belgique	Par la présente TOA Electronics Europe GmbH déclare que l'appareil récepteur / module de réception est conforme aux exigences essentielles et aux autres dispositions pertinentes de la directive 2014/53/UE.
<b>CH</b>	Suisse	
<b>FR</b>	France	(CH: GoWild (Zug); URL: <a href="http://www.gowild.ch">http://www.gowild.ch</a> )
<b>LU</b>	Luxembourg	
<b>BE</b>	België	Hierbij verklaart TOA Electronics Europe GmbH dat deze ontvanger / ontvangstmodule in overeenstemming is met de essentiële eisen en de andere relevante bepalingen van richtlijn 2014/53/EU.
<b>NL</b>	Nederland	
<b>BG</b>	Държава	С настоящото TOA Electronics Europe GmbH, декларира, че този приемник / тюнер модул е в съответствие със съществените изисквания и другите приложими разпоредби на Директива 2014/53/EU.
<b>CY</b>	Κυπρος	Η TOA Electronics Europe GmbH, δηλώνει ότι ο δέκτης σημάτων/ραδιοφωνικός δέκτης συνάδει με τις βασικές απαιτήσεις και άλλες σχετικές διατάξεις της Οδηγίας 2014/53/ΕΕ.
<b>CZ</b>	Česká republika	TOA Electronics Europe GmbH tímto prohlašuje, že tento přijímač / modul tuneru je ve shodě se základními požadavky a dalšími příslušnými ustanoveními směrnice 2014/53/EU.
<b>DK</b>	Danmark	Undertegnede TOA Electronics Europe GmbH erklærer herved, at følgende udstyr Modtager / Modtager Modul overholder de væsentlige krav og øvrige relevante krav i direktiv 2014/53/EU.
<b>EE</b>	Eesti	Käesolevaga TOA Electronics Europe GmbH, teatab, et see vastuvõtja / tuuner moodul on vastavus oluliste nõuetele ja teiste asjakohastele sätetele direktiivi 2014/53/EL.
<b>ES</b>	España	TOA Electronics Europe GmbH declara que el receptor / sintonizador inalámbrico cumple con los requisitos esenciales y otras disposiciones aplicables o exigibles en la Directiva 2014/53/UE.
<b>FI</b>	Suomi / Finland	TOA Electronics Europe GmbH vakuuttaa täten että tämä vastaanotin / virtinmoduli on direktiivin 2014/53/EU oleellisten vaatimusten ja sitä koskevien direktiivin muiden ehtojen mukainen.
<b>GB</b>	Great Britain	Hereby, TOA Electronics Europe GmbH, declares that this receiver / tuner module is in compliance with the essential requirements and other relevant provisions of Directive 2014/53/EU.
<b>IE</b>	Eire	
<b>GR</b>	Ελλάδα	Με την παρούσα η εταιρεία TOA Electronics Europe GmbH δηλώνει ότι ο ραδιοφωνικός δέκτης/ μονάδα δέκτη συμμορφώνεται με τις ουσιαστικές απαιτήσεις και τις λοιπές σχετικές διατάξεις της οδηγίας 2014/53/ΕΕ.
<b>HR</b>	Hrvatska	Ovime, TOA Electronics Europe GmbH, izjavljuje, da je ovaj prijemnik/modul prijemnika u skladu s osnovnim zahtjevima i relevantnim odredbama direktive 2014/53/EU
<b>HU</b>	Magyarország	A TOA Electronics Europe GmbH ezennel kijelenti, hogy ez a vevőkészülék megfelel az 2014/53/EU Irányelv alapvető követelményeinek és egyéb vonatkozó rendelkezéseinek.
<b>IT</b>	Italia	Con la presente TOA Electronics Europe GmbH dichiara che questo Ricevitore / Modulo sintonizzatore è conforme ai requisiti essenziali ed alle altre disposizioni pertinenti stabilite dalla direttiva 2014/53/UE.
<b>CH</b>	Svizzera (Italian)	(CH: GoWild (Zug); URL: <a href="http://www.gowild.ch">http://www.gowild.ch</a> )
<b>LT</b>	Lietuva	Šiuo, Toa Electronics Europe GmbH ", deklaruoja, kad šis imtuvas / imtuvos modulis atitinka esminius reikalavimus ir kitas susijusias nuostatas Direktyvos 2014/53/ES.
<b>LV</b>	Latvija	TOA Electronics Europe GmbH, deklarē, ka šis uztvērējs / raidītāja modulis atbilst būtiskajām prasībām un citiem ar to saistītajiem noteikumiem Direktīvā 2014/53/ES
<b>MT</b>	Malta	TOA Electronics Europe GmbH tistgarr li r-ricevitur u t-tuner module (il-modulu li jagħzel il-frekwenzi) jissodisfaw l-obbligi neccessarji u provvedimenti oħra relevant tad-direttiva 2014/53/UE.
<b>NO</b>	Norway (Norwegian)	TOA Electronics Europe GmbH erklærer herved, at denne mottagermodul / radio er i samsvar med de vesentlige egenskaperne og øvrige relevante krav i direktiv 2014/53/EU. (NO: Scandec Systemer AS, URL: <a href="http://www.scandecsystemer.no">www.scandecsystemer.no</a> )
<b>PL</b>	Polska	My, TOA Electronics Europe GmbH, niniejszym deklarujemy, iż ten odbiornik/moduł tunera jest zgodny z zasadniczymi wymaganiami oraz innymi stosowanymi postanowieniami Dyrektywy 2014/53/UE.
<b>PT</b>	Portugal	TOA Electronics Europe GmbH declara que este Receptor / Sintonizador está conforme com os requisitos essenciais e outras disposições da Directiva 2014/53/UE.
<b>RO</b>	Romania	Prin aceasta TOA Electronics Europe GmbH declara ca acest modul receptor / tuner este in conformitate cu cerintele esentiale si cu alte prevederi relevante ale Directivei 2014/53/UE.
<b>SE</b>	Sverige (Swedish)	Härmed intygar TOA Electronics Europe GmbH att denna Mottagare / Radio modul står i överensstämmelse med de väsentliga egenskapskrav och övriga relevanta bestämmelser som framgår av direktiv 2014/53/EU.
<b>SI</b>	Slovenija	S tem, TOA Electronics Europe GmbH, izjavlja, da je ta sprejemnik / tuner modul v skladu z bistvenimi zahtevami in drugimi ustreznimi določbami Direktive 2014/53/EU.
<b>SK</b>	Štát	TOA Electronics Europe GmbH týmto prehlasuje, že tento prijímač/modul tunera je v zhode so základnými požiadavkami a ďalšími príslušnými ustanoveniami smernice 2014/53/EÚ.

INTENDED USE OF WTU-M9800

<b>AT CH DE</b>	Österreich Schweiz Deutschland	<b>WICHTIGER HINWEIS!</b>	Der Gebrauch dieses Funkempfängers für andere Zwecke als zum Empfang eines Tonsignals von einem passenden Funkmikrofon ist nicht zulässig. Dieses Gerät arbeitet in der europäischen Gemeinschaft (EU) nicht harmonisierten Frequenzen. Abhängig vom geografischen Gebiet dürfen bestimmte Frequenzen legal mit oder ohne Autorisierung / individueller Lizenz entsprechend der beigefügten Frequenztabelle genutzt werden.
<b>BE NL</b>	België Nederland	<b>BELANGRIJKE AANWIJZING!</b>	Het is niet toegestaan deze ontvanger te gebruiken voor enig ander doel dan het ontvangen van een audiosignaal van de bijbehorende draadloze microfoon. Dit apparaat maakt gebruik van frequentiebanden welke in de Europese Gemeenschap (EG) niet algemeen zijn toegestaan. Afhankelijk van de geografische ligging kan voor het legaal gebruik van een bepaalde frequentie een vergunning nodig zijn, zoals is aangegeven in de frequentietabel.
<b>BE CH FR LU</b>	Belgique Suisse France Luxembourg	<b>AVIS IMPORTANT!</b>	Ne pas utiliser les récepteurs HF pour une réception du signal audio provenant d'un appareil, autre que les microphones prévus à cet effet. Cet appareil utilise des fréquences d'émission qui ne sont pas harmonisées à travers la Communauté Européenne (EU). En fonction du lieu géographique certaines fréquences peuvent être utilisées de façon légale avec ou sans autorisation / licence individuelle comme décrit dans le tableau des fréquences.
<b>BG</b>	Държава	<b>ВАЖНО УТОЧНЕНИЕ!</b>	Не е законно използването на този приемник за каквато и да е друга цел, освен приемането на аудио сигнали от предвидения негов безжичен микрофон. Това устройство може да работи в честотен диапазон, нехармонизиран с изискванията на Европейската Общност (ЕС). В зависимост от конкретното географско място, само определени честоти могат да бъдат използвани легално – със или без оторизация / индивидуална лицензия, както е посочено в таблицата с честотите.
<b>CY</b>	Κυπρος	<b>ΣΗΜΑΝΤΙΚΗ ΣΗΜΕΙΩΣΗ!</b>	Είναι παράνομο να χρησιμοποιήσετε αυτό το δέκτη για οποιοδήποτε άλλο σκοπό εκτός από τη λήψη του ηχητικού σήματος από το αντίστοιχο ασύρματο μικρόφωνο. Η συσκευή αυτή κάνει χρήση των ζωνών συχνότητας οι οποίες δεν είναι εναρμονισμένες σε όλη την Ευρωπαϊκή Κοινότητα (ΕΕ). Ανάλογα με τη γεωγραφική περιοχή σε συγκεκριμένες συχνότητες μπορεί να χρησιμοποιηθεί νόμιμα, με ή χωρίς άδεια / ειδική άδεια, όπως αναφέρεται στον πίνακα συχνότητων.
<b>CZ</b>	Česká republika	<b>DŮLEŽITÁ POZNÁMKA!</b>	Tento přijímač bezdrátového mikrofonu smí být použit pouze pro přenos zvukového signálu z odpovídajícího bezdrátového mikrofonu. Jiné použití není přípádné. Toto zařízení používá frekvencní pásma, která nejsou harmonizována v celé Evropské Unii. V závislosti na lokalitě použití mohou být případně legálně použity pouze některé frekvence, viz tabulka frekvencí. K provozu může být vyžadováno povolení příslušných orgánů.
<b>DK</b>	Danmark	<b>VIGTIGT!</b>	Det er ulovligt at bruge denne modtager til andre formål end at modtage et lydssignal fra en passende trådløs mikrofon. Dette udstyr anvender frekvens bånd som ikke er harmoniseret i EU. Afhængig af det enkelte land/område kan bestemte frekvenser anvendes lovligt med eller uden individuel licens som beskrevet i frekvens tabellen.
<b>EE</b>	Eesti	<b>OLULINE TEADE!</b>	Seda vastuvõtjat võib kasutada ainult vastava Toa saatjaga koostöös, muud kasutusviisiid ei ole lubatud. Seadmega on võimalik kasutada Euroopa Liidus harmoniseerimata sagedusalasid, seega enne kasutamist tuleb kontrollida, et oleks valitud lubatud sagedused. Sõltuvalt geograafilisest asukohast võivad ainult teatud sagedusalad olla lubatud, võimalik, et nõutakse eraldi kasutuslubasid.
<b>ES</b>	España	<b>¡ AVISO IMPORTANTE!</b>	Es ilegal utilizar este receptor para cualquier otro propósito que no sea recibir una señal de audio de su correspondiente micrófono inalámbrico. Este dispositivo hace uso de bandas de frecuencia que no son legales en toda la Comunidad Europea (CE). Dependiendo del área geográfica, ciertas frecuencias se pueden utilizar legalmente, con o sin autorización individual, según se indica en la tabla de frecuencias.
<b>FI</b>	Suomi / Finland	<b>HUOMIOITAVA A!</b>	Tätä vastaanotinta saa käyttää ainoas-taan audiosignaalien vastaanottamiseen sille tarkoitettua langattomalta mikrofonilta. Tämä laite käyttää taajuuksia jotka eivät ole yhteneviä koko EU:n alueella. Riippuen maantieteellisestä sijainnista joiain taajuuksia saa käyttää joko radio- luvan kanssa tai ilman. Ks. oheinen taajuustaulukko.
<b>GB IE</b>	Great Britain Eire	<b>IMPORTANT NOTICE!</b>	It is illegal to use this receiver for any other purpose than receiving an audio signal from its matching wireless microphone. This device makes use of frequency bands which are not harmonised throughout the European Community (EU). Depending on the geographical area certain frequencies can be used legally with or without authorisation / individual license as stated in the frequency table.
<b>GR</b>	Ελλάδα	<b>ΣΗΜΑΝΤΙΚΗ ΣΗΜΕΙΩΣΗ!</b>	Είναι παράνομη η χρήση του δέκτη για οποιοδήποτε άλλο λόγο εκτός της λήψης ηχητικού σήματος από το αντίστοιχο ασύρματο μικρόφωνο. Η συσκευή αυτή χρησιμοποιεί συχνότητες οι οποίες δεν εναρμονίζονται σε όλη την Ευρωπαϊκή Ένωση (Ε.Ε.). Ανάλογα με τη γεωγραφική περιοχή συγκεκριμένες συχνότητες μπορούν να χρησιμοποιηθούν νόμιμα με ή χωρίς άδεια / ειδική άδεια όπως αναφέρεται στον πίνακα συχνότητων.
<b>HR</b>	Hrvatska	<b>Važne napomene</b>	Korištenje prijemnika u bilo koju drugu svrhu, osim za primanje audio signala od pripadajućeg mu bežičnog mikrofona je ilegalno. Ovaj uređaj može koristiti frekvencije koji nisu u dozvoljene u svim zemljama Europske unije (EU). Ovisno o pojedinoj zemlji, određene frekvencije, legalno se mogu koristiti s ili bez dozvole/tj.individualne licence, a kako je navedeno u tablici s frekvencijama.

<b>HU</b>	Magyarország	<b>FONTOS FIGYELMEZTETÉS!</b>	Vevőegységek tervezett felhasználása Ez a vevőkészülék kizárólag hangjel fogadására alkalmazható a hozzá tartozó vezeték nélküli mikrofon felől. Egyéb felhasználási módja törvénybe ütközik. Ez az eszköz olyan frekvencia sávokat használ, amelyek nincsenek harmonizálva az Európai Közösségen (EU) belül. A földrajzi helyzettől függően csak bizonyos frekvenciák használhatók legálisan engedéllyel, vagy anélkül, a frekvencia táblázatban jelölteknek megfelelően.
<b>IT CH</b>	Italia Svizzera	<b>AVVISO IMPORTANTE!</b>	E' illegale utilizzare questo ricevitore per qualsiasi altro scopo che non sia la ricezione di un segnale audio dal suo radiomicrofono. Questo prodotto utilizza bande di frequenza che non sono totalmente armonizzate in tutta la Comunità Europea (EU). Dipendentemente dall' area certe aree geografica certe frequenze possono essere usate legalmente con o senza autorizzazione / licenze individuali come stabilito nella tabella delle frequenze.
<b>LT</b>	Lietuva	<b>SVARBI PASTABA!</b>	Įmtuvo naudojimo paskirtis Nelegalu naudoti šį imtuvą kitu tikslu, negu priimti garso signalą iš atitinkamo bevielio mikrofono. Šis įrenginys naudoja dažnių juostą kuri nėra suderinta su Europos sąjunga (ES). Priklausomai nuo geografinės vietovės, tik tam tikri dažniai gali būti naudojami teisėtai su arba be leidimo / individualios licencijos, kaip nurodyta dažnių lentelėje.
<b>LV</b>	Latvija	<b>SVARĪGA PIEZĪME!</b>	Uztvērēju paredzētā izmantošana Ir aizliegts izmantot šo uztvērēju jebkuram citam nolūkam, kā saņemot audio signālu no atbilstoša bezvadu mikroфона. Šī iekārta izmanto frekvenču joslas, kas nav saskaņotas visā Eiropas savienībā (ES). Atkarībā no ģeogrāfiskā reģiona tikai noteiktās frekvences var izmantot legāli, ar vai bez atļaujas vai individuālās licencijas, kā norādīts frekvenču tabulā.
<b>MT</b>	Malta	<b>NOTA IMPORTANTE!</b>	Uzu tar-receivers Mhux permess l-uzu ta' dan ir-receivers, hlief biex jittrazmetti sinjal 'audio' lil microfonu tieghu. Dan il-microphone jaghmel uzu minn frekwenzi li mhux ..... fl-Unjoni Ewropeja. F'certu zoni jistghu jigu ntuzati biss legalment certu frekwenzi bil- jew bla- awtorizzazzjoni jew licenzji li huma mhabbryn fuq il-frequency table'.
<b>NO</b>	Norway	<b>VIKTIG MELDING!</b>	Det er ulovlig å bruke denne mottakeren til noe annet formål enn å motta et lydsignal fra en tilhørende trådløs mikrofon. Denne enheten gjør bruk av frekvensbånd som ikke gjennomført er harmonisert i det Europeiske Fellesskap (EU). Avhengig av det geografiske område kan noen frekvenser være tillatt brukt med eller uten autorisasjon / individuelle lisenser slik det er beskrevet i frekvenstabellen.
<b>PL</b>	Polska	<b>WAŻNA INFORMACJA!</b>	Używanie odbiornika bezprzewodowego w celu innym, niż odbiór sygnału audio ze sparowanego z nim nadajnika jest niezgodne z prawem. To urządzenie wykorzystuje pasma częstotliwości, które nie są zharmonizowane w obrębie Unii Europejskiej (UE). W zależności od lokalnych regulacji krajowych część częstotliwości może być niemożliwa do wykorzystania, lub też wymagać posiadania licencji, zgodnie z Krajową Tabelią Przeznaczzeń Częstotliwości.
<b>PT</b>	Portugal	<b>NOTA IMPORTANTE!</b>	Este Receptor só pode receber sinal de audio do respectivo Microfone Emissor. Este equipamento utiliza bandas de frequência que não estão harmonizadas em toda a Comunidade Europeia (CEE). De acordo com a área geográfica, certas frequências podem ser usadas com ou sem autorização / licença individual, conforme está mencionada na lista de frequências.
<b>RO</b>	Romania	<b>NOTA IMPORTANTA!</b>	Este ilegala utilizarea acestui receptor in orice alt scop decat receptionarea unui semnal audio transmis de catre microfonul sau compatibil. Acest dispozitiv utilizeaza benzi de frecventa care nu sunt armonizate in Comunitatea Europeana (EU). In functie de asezarea geografica, numai anumite frecvente pot fi utilizate legal cu sau fara autorizatie/licenta individuala dupa cum se mentioneaza in tabelul de frecvente.
<b>SE</b>	Sverige	<b>VIKTIG ANMÄRKNING!</b>	Det är illegalt att använda denna mottagare för något annat ändamål än att ta emot en audiosignal från dess tillhörande trådlösa mikrofon. Denna apparat utnyttjar frekvensband som inte överensstämmer med varandra inom hela Europeiska Gemenskapen (EG). Beroende på geografiskt område kan vissa frekvenser användas legalt med eller utan tillstånd/individuell licens enligt frekvensplanen.
<b>SI</b>	Slovenija	<b>POMEMBNO!</b>	Prepovedana je vsakršna uporaba sprejemnika v druge namene kot sprejemanje avdio signala pripadajočega brezžičnega mikroфона. Ta naprava omogoča uporabo frekvenčnih pasov, ki niso usklajeni v vsej Evropski skupnosti (EU). Glede na geografsko območje se lahko legalno uporabljajo samo določene frekvence z ali brez dovoljenja, kot je navedeno v frekvenčni tabeli.
<b>SK</b>	Štát	<b>DÔLEŽITÉ UPOZORNENIE!</b>	Prijímač bezžúrovňového mikrofonu sa nesmie používať na iný účel ako na príjem audio signálu z príslušného bezžúrovňového mikrofonu. Toto zariadenie používa frekvenčné pásma, ktoré nie sú harmonizované v celej Európskej únii (EU). V závislosti od zemepisnej polohy možno používať len niektoré frekvencie na základe všeobecného alebo individuálneho povolenia, ako je uvedené vo frekvenčnej tabuľke.

URL: [www.toa.eu](http://www.toa.eu)

