

The CS-64BS is certified according to the European Standard EN 54-24: 2008, the International Standard ISO 7240-24: 2010 and in compliance with the British Standard BS 5839-8: 2008 14.8. DoP number is 20-007.

■ DESCRIPTION

The CS-64BS is the voice alarm certification product.
 The CS-64BS Wide range speaker features an ABS resin enclosure and stainless steel bracket for all weather durability.
 It is comprised of a high-efficiency weather-resistant horn and a high quality sound cone speaker, providing clear and highly directional sound reproduction.

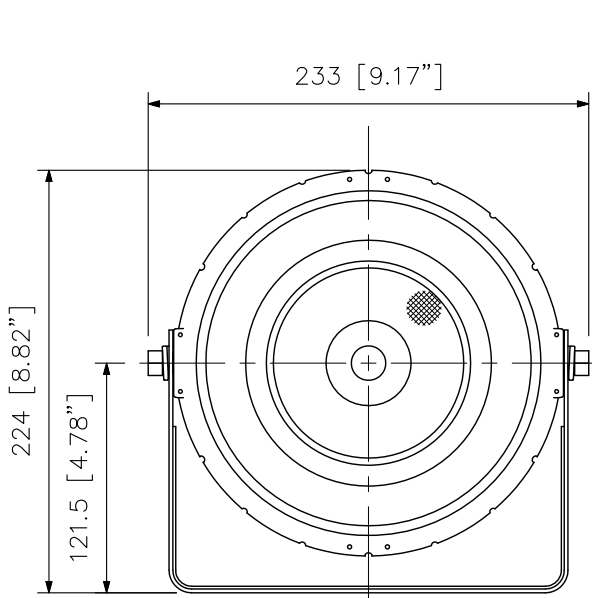
■ SPECIFICATIONS

Rated Noise Power	6 W (100 V Line and 70 V Line)
Rated Impedance	100 V line: 1.7 kΩ (6 W), 3.3 kΩ (3 W), 10 kΩ (1 W) 70 V line: 830 Ω (6 W), 1.7 kΩ (3 W), 3.3 kΩ (1.5 W), 10 kΩ (0.5 W)
Sensitivity	96 dB (1 W, 1 m) (330 Hz - 3.3 kHz, pink noise) 93 dB (1 W, 1 m) (100 Hz - 10 kHz, pink noise) 81 dB (1 W, 4 m) (100 Hz - 10 kHz, pink noise)
Maximum Sound Pressure Level	100 dB (6 W, 1 m) (100 Hz - 10 kHz, pink noise) 88 dB (6 W, 4 m) (100 Hz - 10 kHz, pink noise)
Frequency Response	130 Hz - 13 kHz
Coverage Angle	Horizontal and Vertical: 315° (500 Hz), 230° (1 kHz), 80° (2 kHz), 45° (4 kHz)
Environmental Type	B (outdoor applications)
Speaker Component	12 cm (5") cone-type (treated for splash proof)
Operating Temperature	-20 °C to +55 °C (-4 °F to 131 °F)
Dust/Water Protection	IP34 (EN 54-24: 2008 Cert. No. 1438-CPR-0749: IP33C)
Speaker Mounting Method	Wall-mount
Cable Gland	Size: PG 13.5 One cable gland is factory-installed. For bridge connection, one cable gland can be added.*
Applicable Cable Size	Outer diameter: ø8-12.5 mm Conductor: Solid wire or 7-core wire No bridge connection: 0.8 - 10 mm ² (AWG18-AWG7) for solid wire, 0.8 - 8 mm ² (AWG18-AWG8) for 7-core wire Bridge connection: 0.8 - 2.5 mm ² (AWG18-AWG13) for solid wire, 0.8 - 1.5 mm ² (AWG18-AWG15) for 7-core wire
Cable Connection	Screw terminal (steatite), can be bridge-connected
Finish	Horn, Cover, and Terminal cover: ABS resin, off-white, paint Bracket: Stainless steel Punched net: Surface treated steel plate, dark-gray, powder coating Screw: Stainless steel
Dimensions	233 (W) × 224 (H) × 249 (D) mm (9.17" × 8.82" × 9.8")
Weight	1.7 kg (3.75 lb)
Accessory	Terminal cover-1

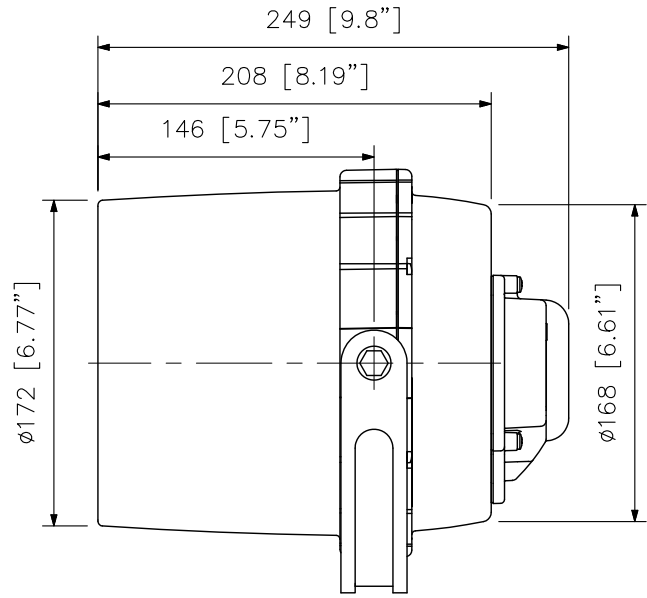
*Suppliable cable gland's part cord and name: 525-52-011-70 Cable gland AVC PGB13.5-12 (GRY)

[Note] Never connect the 830 Ω position to the 100 V line.

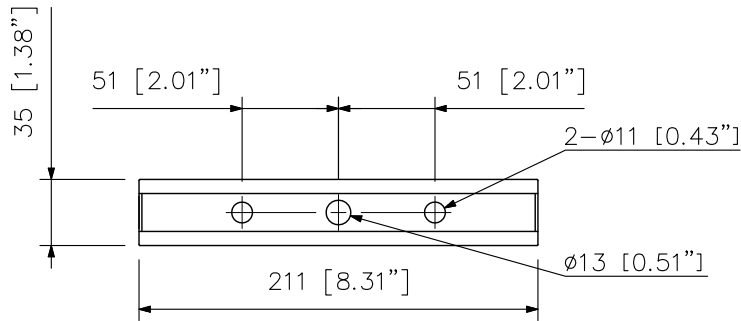
■ APPEARANCE



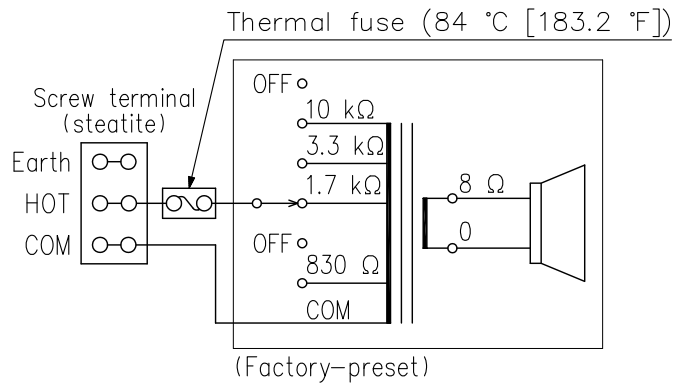
Front View



Side View



Dimensional Diagram



Wiring Diagram

UNIT:mm SCALE:1/4