



MASTER CONTROL UNIT

TS-D1000-MU (1CE/4CE/5CE/6CE)

DESCRIPTION

The TS-D1000-MU Master control unit for TOA's Digital conference system is designed to be set up, disassembled and put away quickly and easily by way of simple connections to its Chairman and Delegate units using easily-obtainable CAT5e STP LAN cables. The Master control unit is also equipped with a recording function, PC control (*1), and one-touch connection confirmation capability. Up to 32 Chairman/Delegate units can be connected in a simple daisy chain configuration. However, for further expansion, up to 5 TS-D1000-SU Sub control units can be added to the system, making it possible to connect as many as 246 Chairman/Delegate units in one fully integrated conference system. The TS-D1000-MU is also equipped with FBS (Feedback Suppression), enabling effective control of acoustic feedback. In addition the unit employs an MP3 recorder that makes it possible to record all conference contents to either a connected USB memory drive or internal memory. With the use of an optional rack mounting bracket, it can be mounted in an EIA Standard equipment rack (4 unit size).

(*1) Relevant control software is supplied on a custom-made basis.

SPECIFICATIONS

Power Source	100 - 240 V AC, 50/60 Hz (use of the supplied AC adapter)
Power Consumption	60 W or less
Audio Transmission System	Time division multiplexing (TDM), 10 channels 16-bit PCM, 32 kHz sampling frequency
MIC Input	-54 dB (*2), 600 Ω, unbalance, Ø6.3 phone jack (2P)
Output	LINE: -10 dB (*2), 10 kΩ, unbalance, Ø6.3 phone jack (2P) REC: -10 dB (*2), 10 kΩ, unbalance, RCA pin jack, monaural HEADPHONES: Ø3.5 mini jack, monaural
EQ Insert Input/Output Terminal	-10 dB (*2), 10 kΩ, unbalance, RCA pin jack
Video Conference system Input/Output Terminal	-10 dB (*2), 10 kΩ, unbalance, RCA pin jack
Number of Connectable Chairman/Delegate Units	32 units
Number of Connectable Sub Control Units	5 units
Maximum Cable Distance	50 m (164.04 ft) (between Master control unit and terminal Chairman/Delegate unit at end of daisy chain) (*3) 1 m (3.28 ft) (between Master control unit and Sub control units) (Use the cable supplied with the Sub control unit.)
Maximum Number of Open Microphones	2 chairman units, 8 delegate units
Chairman/Delegate Units Terminal	RJ45 connector x2
Sub Control Units Terminal	RJ45 connector
LED Indicator	Power indicator, Conference mode indicator, Number of open microphones indicators, Microphone auto off indicator, Monitor speaker of conference units volume indicators, Connection test indicator, External control indicator, Setting lock indicator, Recording status indicator, USB Access status indicator, USB memory status indicator, Internal memory status indicator, Remaining USB memory capacity warning indicator, Remaining internal memory capacity warning indicator, LINK/ACT indicator, 10BASE-T/100BASE-TX indicator
Function Key	Conference mode selector key: Standard/Override/Voice activation/Chairman Only Number of open microphones selector key: 1/2/8 Microphone auto off setting key: ON/OFF Monitor speaker of conference units volume setting key: -,+ Setting lock key: ON/OFF Headphone volume setting key: -,+
Operation Key	Connection test, Rec start, Rec stop
Recording Ports	USB-A
Recording Function	Recordings can be made to a USB memory device (*4) or the internal memory. Recording format: MP3 (MPEG-1 Audio Layer-3), monaural Sampling frequency: 32 kHz, Bit rate: 128 kbps
Network I/F	10BASE-T/100BASE-TX (Automatic-Negotiation)
Network Protocol	TCP, HTTP, DHCP, ARP (APIPA), UDP (mDNS)
Network Connector	RJ45 connector
Operating Temperature	0 °C to +40 °C (32 °F to 104 °F)
Operating Humidity	90 %RH or less (no condensation)
Finish	Panel: Surface-treated steel plate, black, 30 % gloss, paint
Weight	2.2 kg (4.85 lb)
Accessory	AC adapter (Cord length: 1.8 m (5.91 ft) DC cord, and 2 m (6.56 ft) detachable AC cord) ...1
Option	Rack mounting bracket: MB-TS920

(*2) 0 dB = 1 V

(*3) Cable lengths can be extended to a maximum of 100 m (328.08 ft) with the use of the Extension Unit.

(*4) A USB 2.0-compatible FAT32-formatted flash memory device of up to 32 GB in capacity can be used.

There may be cases in which a USB flash drive cannot be used with the TS-D1000-MU, depending on the drive's attributes or recording conditions.

■ APPEARANCE

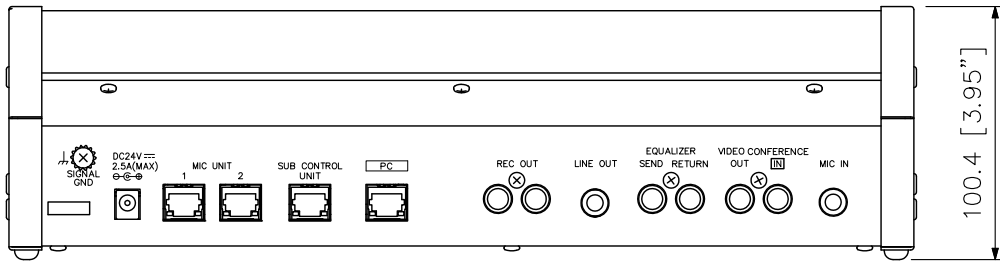


Figure as viewed from point A

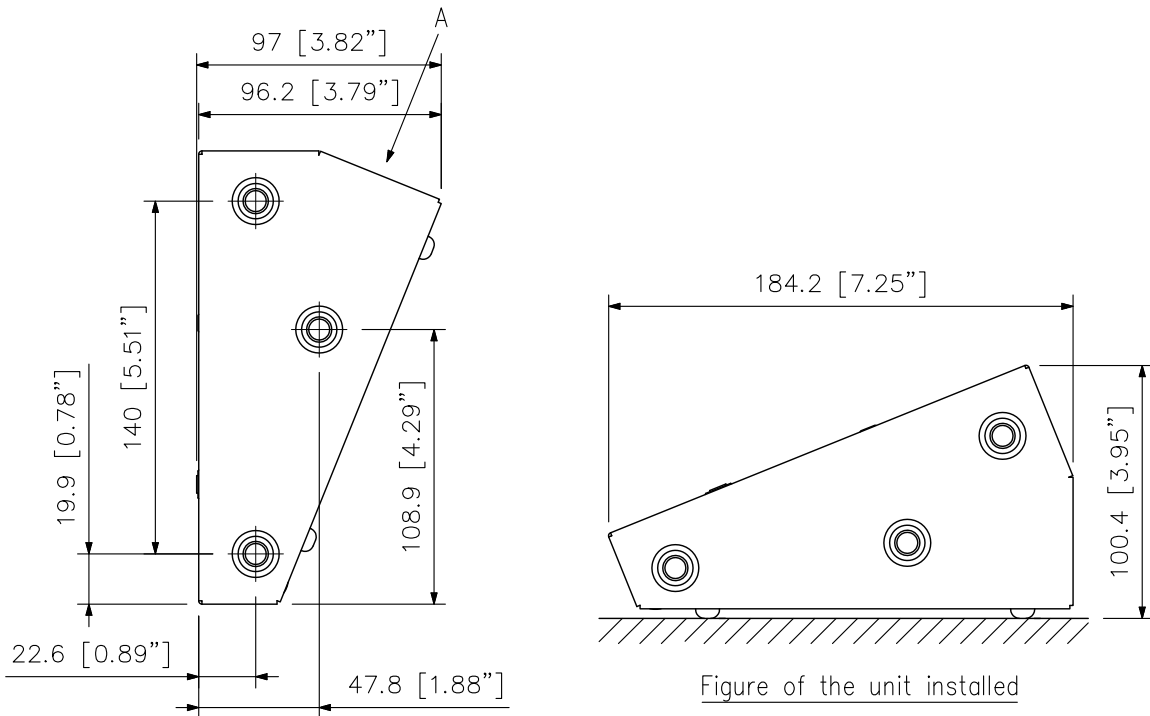
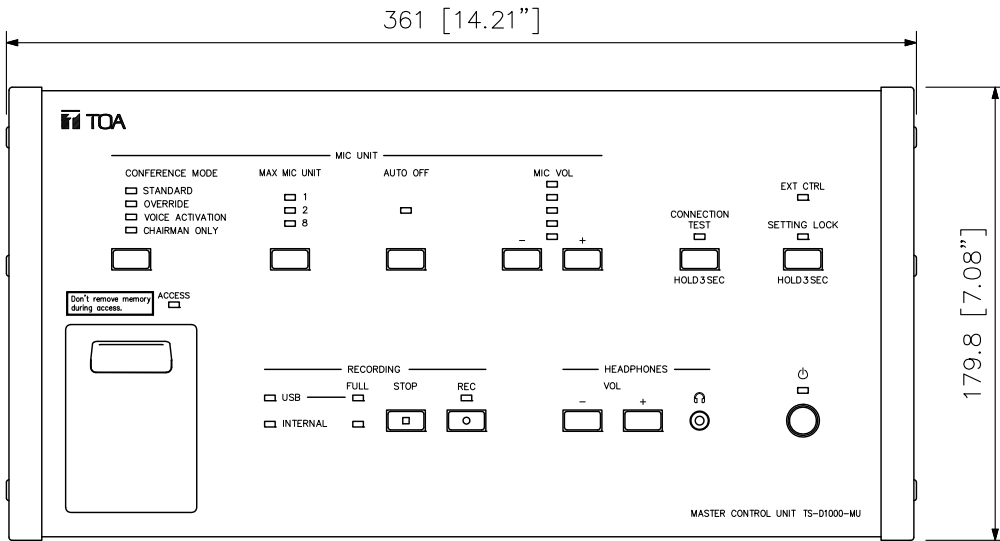


Figure of the unit installed

Version	1CE	4CE	5CE	6CE
AC plug				

UNIT:mm SCALE:1/3